

COMPLETE CLIMATE CONTROL SOLUTIONS FROM EBERSPÄECHER



MAY 2022



QUICK-REFERENCE GUIDE



Eberspaecher heaters have become one of the most popular money saving products available in the heavy-duty truck market today.

Typical savings using an Airtronic S2 can be as much as \$6,000 per unit per year based on current fuel prices. Below you will find the most popular most popular selling kit numbers for our air and coolant heater models.

For a detailed listing of our complete product line including heater kits, accessories and controllers for heavy truck, light truck, school bus, industrial and oil field markets please see the following pages.

All the heater products mentioned on the Quick-Reference pages are EPA Verified compliant for worry-free operation anywhere in the United States.

AIRTRONIC S2

DIESEL AIR HEATER / TRUCK BUNK HEATER

The Airtronic S2 puts out 7,500 BTU of clean comfortable heat and is ideal for bunk heating in all makes of heavy-duty trucks. It has a higher heat output than competitive models and is equipped with a standard fan-mode for nights when air circulation is preferred instead of heating.

The most popular Airtronic S2 kit is listed below. It comes with everything needed for installation including: Heater, EasyStart Pro, fuel system, mounting hardware kit and all ducting.

Airtronic S2 – Install Kit with EasyStart Pro

20 2827 21 02 01

Use of an engine pre-heater reduces cold start wear on internal components, reduces stress on the starting/cranking system, and can help extend DOC/DPF regen and replacement cycles by reducing cold-start white smoke.

HYDRONIC S3 ECONOMY (5kW) PRE-HEATER SYSTEM

Eberspaecher, the leading system developer and supplier of vehicle heaters, is expanding its product portfolio with the new Hydronic S3 Economy (5kW) pre-heater. The water heater impresses thanks to its compact dimensions and flexible installation options for simple retrofitting in a large number of vehicle models. As a ground-breaking all-in-one solution with comprehensive peripheral devices, it offers installation partners many practical advantages. With the new EasyScan, diagnostic and service tool, workshop staff can analyze the operating condition of the pre-heater easily and quickly.

- Compact, efficient water heater
- Innovative peripheral devices and new diagnostic device
- Simplified installation

Hydronic S3 Economy (5kW) Definition:

Hydronic: Water & Electronic, Product line, water heater

S3: Size and generation, Size (small) Generation 3

Economy: Marketing appendix, entry model

Compact and robust water heater for simple installation

With the third generation of its Hydronic series, Eberspaecher is offering an easy-to-operate preheater with stepless heating power control. The coolant heater works efficiently with all popular types of fuel. Due to its robust construction – with an encapsulated fan motor and the separation of cold and hot components – it is designed for longevity.

A high IP protection class also secures the unit from the ingress of water during high-pressure or steam jet cleaning. The new water spigots are fully rotatable by 360 degrees and are fully replaceable, they ensure convenient and rapid fitting in a range of installation positions. Optimized brackets enable the pre-heater to be mounted anywhere in the smallest possible space and to be attached rapidly and permanently. (See page 16)

HEATER INSTALLATION TIPS

For a time saving video showing a typical Class 8 truck installation for each of these products please visit the Eberspaecher website at www.eberspaecher-na.com and see the links along the right side of the main Downloads page.

See your local dealer for special pricing on quantity purchases of money-saving Eberspaecher heaters.

QUICK REFERENCE GUIDE

Airtronic S2 (2.2 kW):

Heating comfort for a variety of applications.



Vans, small motor homes, small buses



Truck cabs with sleeping cabins and day cabs



Construction and agricultural machinery without engine-dependent heating



Forklifts and other plant machinery



Electric vehicles



Yachts up to approx. 22 ft long

Airtronic M2 (4 kW):

The high-performance, compact air heater for mid-range requirements.



Large trucks – cabs with sleeping cabins



Vans, small buses



Large agricultural and construction machinery



Yachts up to approx. 35 ft long



Motor homes



Minivans, and vehicles used for conferences and consultancy

1

1

2

3

4

5

QUICK REFERENCE GUIDE

Hydronic S3 (5 kW):

Cab and engine heater



Passenger cars



Emergency vehicles



Vans, large taxis, minivans



Commercial vehicles, including tandem configurations with air heaters



Construction and agricultural machines



Motor yachts up to around 25 ft long



Motor homes

Hydronic M8 / M10 / M12 (8–12 kW):



Commercial vehicles from approx. 150 kW engine power



Cargo area heating



Military vehicles



Large agricultural and construction machinery



Motor yachts up to approx. 45 ft long



Motor homes

Hydronic L16 / L24 / L30 / L35 (16–35 kW):



Coaches and city buses



Large freight compartments for goods which need to be kept warm



Container setups

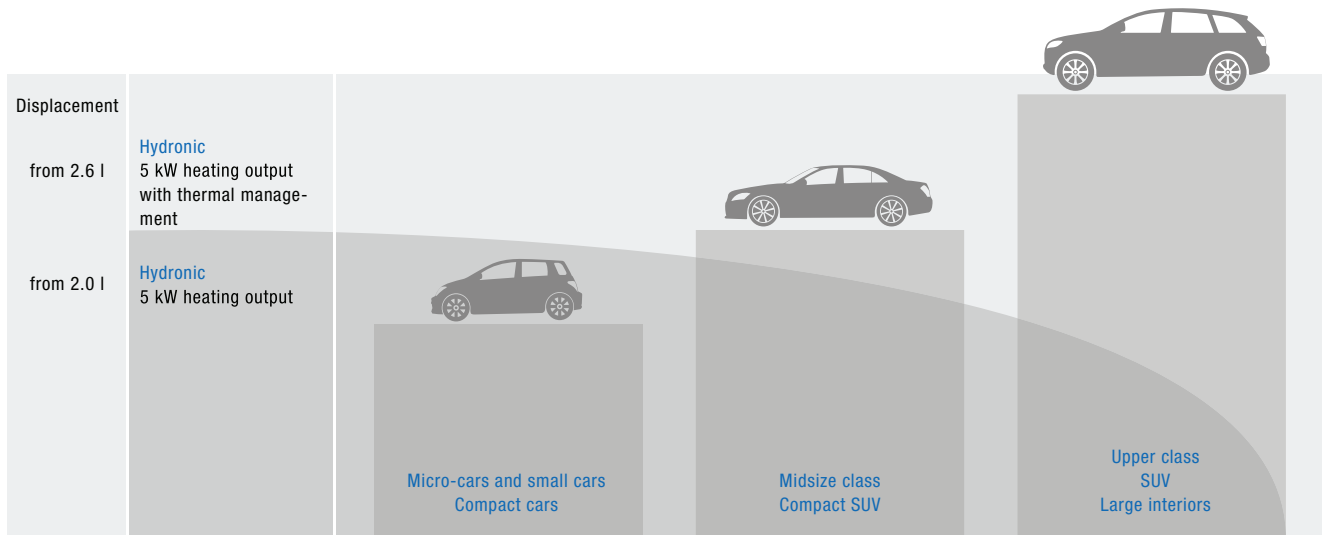


Diesel locomotives



Yachts and ships up to approx. 72 ft long

QUICK-REFERENCE GUIDE



Advantages:

- Hydronic S3 Economy & Commercial (4 to 6 kW): New bracket design plus straight and 90° angled water fittings (rotatable through 360°) which can be used in any combination for faster installation. New installation recommendations and kits are available.
- Hydronic M2 (8 to 12 kW): provide increased power for larger engines and cabins, e.g. large trucks, small buses, cargo areas.
- Hydronic L (16 to 35 kW) is ideally suited for buses, trains, boats and cargo areas.

Advantages:

- **Multifuel E85:** The Hydronic 2 B5S and B5SC with fuel kit (E85 kit) for heating electric vehicles and multifuel vehicles.
- **Biodiesel:** Hydronic S3 Economy (up to 30 %), Hydronic M8 (100 %), Hydronic M10 / M12 (up to 20 %).
- **E10:** all (professionally installed) water heaters.

Expert tips for installing the pressure-resistant metering pump: You need to know the fuel pressure. The return line must end just above the floor of the tank and must not be fitted with a check valve. Diesel vehicles can then be connected straight to the return line. Please also always take note of the technical description of the particular equipment.

1

1

2

3

4

5

QUICK-REFERENCE GUIDE

INTRODUCTION PAGE

On the following pages you will find the entire offering of Eberspaecher heaters, heater kits, control options and accessories. Below are some tips on how to best choose the products you are looking for.

PAGE LAYOUT

The Product Catalog is a complete listing of the products we sell.

In the heater section, you can trace the heater you are considering straight across to the dots in the columns on the right side of the page.

These columns have a header row showing the items offered - with the dots indicating which of them actually come in the kit being selected.

In the accessory section, you trace the accessory across to the dots on the far right to see what heaters that component is used with.

HEATER CHOICES

Our heaters come in both 12 and 24 Volt offerings and in Gasoline (B prefix) and Diesel (D prefix) models.

When selecting a heater model, be sure to begin with the right voltage and fuel type for your application. The “Basic” heaters shown are just that, a bare heater, and are usually used as replacements. If a heater price seems too low, compared to other models, be sure it’s not a basic kit.

RECOMMENDED

There are a variety of kits and components in the catalogue that may look similar. When more than one item is listed, look for the **RECOMMENDED** label. This indicates that item is one of the more commonly sold products of those that are listed. However, we want to make sure you get the right equipment for the job so if you are in doubt please don’t hesitate to call your local regional sales manager or our tech service department (800-387-4800) help@eberspaecher.com for assistance.

EMMISSIONS

Eberspaecher offers more EPA Verified / CARB Compliant heater choices than any other manufacturer. Look for the EPA label when selecting a heater for specific applications.

AIRTRONIC HEATER KITS

Unless specified otherwise these kits are usually sold as complete with installation components. The variables are usually limited to multiple controller and fuel pickup choices. These are all noted in the kit description and in the columns on the right side of the page.

HYDRONIC HEATER KITS

Unless otherwise noted these units are typically sold ala-carte – with the heater kit, timer/controller and even installation kits purchased separately to provide maximum installation flexibility. Always check the description and the kit component listing in the columns on the right side of the page.

CONTROLLERS

Eberspaecher offers a variety of controllers for almost every heater model and application combination. The most popular air heater controller is the Digi-Max Controller and the EasyStart Timer, while the Programmable (school bus) timers are the most popular for coolant heaters.

School bus and/or industrial applications using coolant heaters may also choose to include the Multi-Function Switch.



QUICK REFERENCE GUIDE

FUEL PICKUP / FMP OPTIONS:

Eberspaecher makes a number of fuel pickup and fuel pump mounting options to help streamline installations.

Below you will find a summary of some of those choices.

- **UNIVERSAL PICKUP** – Unless designated otherwise, Eberspaecher heater kits that show to have a fuel pickup tube come with our “Universal Pickup.” This offers the flexibility of a typical drill-the-tank installation or the ability for installation in an existing NPT port on the fuel tank (if available).
- **NO PICKUP** – Kits marked “No Pickup” do not have a fuel pickup tube. A variety of pickup tubes, including those for specialty use or to be used with NPT compression fittings, are located in the fuel section. Choosing the right fuel pickup can save time and provide a custom installation.
- **VENT PICKUP** – Kits marked “Vent Pickup” come with a fuel pickup tube made for installation using the trucks fuel system vent port.
- **EXTERNAL / INTERNAL FMP** – The Eberspaecher FMP’s, or fuel metering pumps, can pull fuel 6’ and push it approximately 20’, thus the FMP needs to be located within 6’ of the primary fuel source.
Coolant heater kits with an External FMP typically are used when the heater is located more than 6’ from the fuel source.

BOXED:

Kits marked “Boxed” means the heater comes installed in a rugged metal enclosure for protection and long-life. The box is usually frame rail mounted but can also be used in a variety of industrial or heavy equipment applications. Eberspaecher’s large coolant heater models use a heavy-duty box and carries a direct replacement footprint for many legacy heaters in the field.

SPECIALTY KITS:

Eberspaecher manufactures several specialty kits to provide the best heater life and maximum levels of reliability and safety for end-users.

- **HIGH ALTITUDE** – Eberspaecher provides a number of options to get the best performance from units operating at higher altitudes where the air is thin and heaters tend to run rich. These include: A full heater install kit - OR - a fuel metering pump adjusted for full-time high altitude operation or a plug-and/play module for leaning out fuel delivery.
The latter two can be used to modify a standard heater kit for HA operation. All are geared toward heaters in applications spending longer amounts of time operating above 4,900 ft.



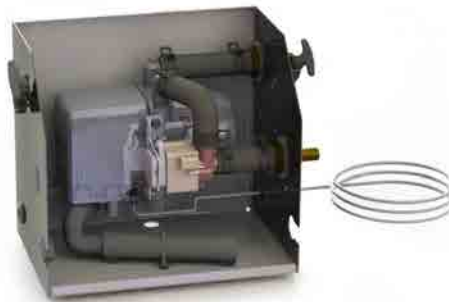
Note:

The latest generations, Ax2 and HS3 heaters do not need altitude kits.

SPARE PARTS:

For all spare parts information, please reference heater’s “Spare Parts Manual”.
<https://www.eberspaecher-na.com/download-center/technical-manuals.html>

Not all parts which are listed in the Airtronic S2-M2, Airtronic D5/B5, D8LC, Hydronic S3 CS, Hydronic M-II and Hydronic L-II parts manual are included in the respective heater kit part numbers provided in this product catalogue. Any additional parts not included in the heater kits provided in this product catalogue will have to be ordered separately (For example: Exhaust Muffler).



1

1

2

3

4

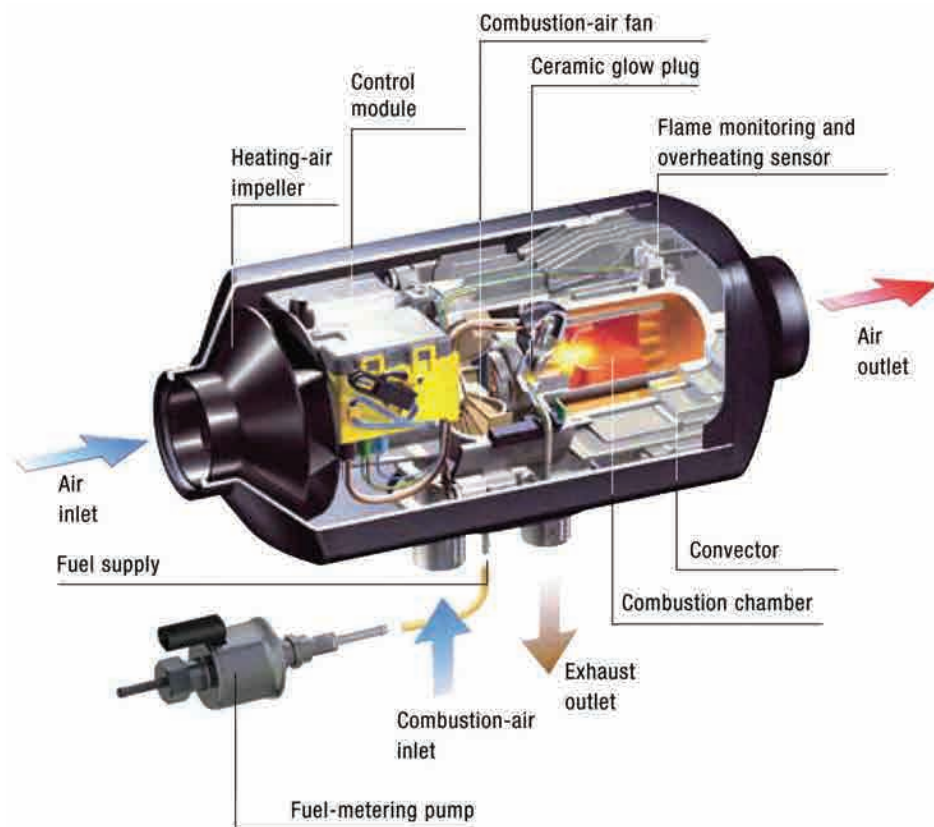
5

TABLE OF CONTENTS

Chapter	Chapter title Chapter content	Page
I	Introduction to the heating systems	
	Quick reference guide	3 – 8
	Table of contents	9
1	Air heaters	
	Product information	10
	Airtronic S2 / M2 / B4	13
2	Coolant heaters	
	Product information	14
	Hydronic 3 D / B	20
	Pick-up truck kits (<i>After market</i>)	21
	Hydronic M-II, Spare parts	22
	Hydronic M-II, Basic Kits	23
	E-Guardian	24
	Hydronic L-II / 16 / 24 / 30 / 35	25
	Hydronic M-II L-II boxed off highways kits	26
3	Accessories parts guide	
	Accessories parts guide index	27
	Timers and controllers table	28 – 29
	Control options and timers	34
	Hydronic heaters control options and timers	30 – 32
	Testers, adapters and special tools	33 – 35
	Fuel system	36 – 41
	Mounting parts	42 – 47
	Fuse holders, fuses and breakers	48
	Terminals and connectors	49 – 51
	Power converters 12V to 24V	52
	Exhaust	53 – 56
	Ducting	57 – 66
	Intake (Combustion air)	67
	Coolant pumps	68 – 69
	Plumbing	70 – 74
	Fuel system guide	76
	Ducting rating guide	77 – 87
4	Electric heaters	
	Electric heaters	88
5	Kalori products	
	Air conditioning	90 – 132
	Pressurization	133 – 135
	Electric heaters	136 – 145
	Water heaters	146 – 175
	Accessories	176 – 178

PRODUCT INFORMATION

AIRTRONIC: TECHNOLOGY



AIRTRONIC FUNCTIONS:

- 1
 - Combustion air is conveyed to the combustion chamber by the fan motor and impeller.
 - Fuel is drawn from the vehicle's tank.
- 1
 - Fuel is conveyed to the combustion chamber by the metering pump.
 - The glow element (filament glow plug from 5 kW) vaporizes this fuel as it enters the combustion chamber and creates a combustible fuel-air mix with the combustion air.
- 2
 - The resulting flame formation switches off the glow element (or filament glow plug), transfers the heat to the heating air via the convector, and diverts exhaust gas via the exhaust silencer.
- 3
 - The fan motor and heating-air impeller convey cool air to the heater, where it is warmed by the convector and then blown into the vehicle interior.

4

5

PRODUCT INFORMATION

The heating output information provided refers to heating the interior of a cold vehicle to around 20 °C in cold outside temperatures. If the heater only needs to maintain the existing temperature of the interior, less heating power is required. The heating outputs are only guide values. The exact heating requirement also depends on other environmental conditions (e.g. wind, materials, cabin walls, heating-air ducting, etc.).

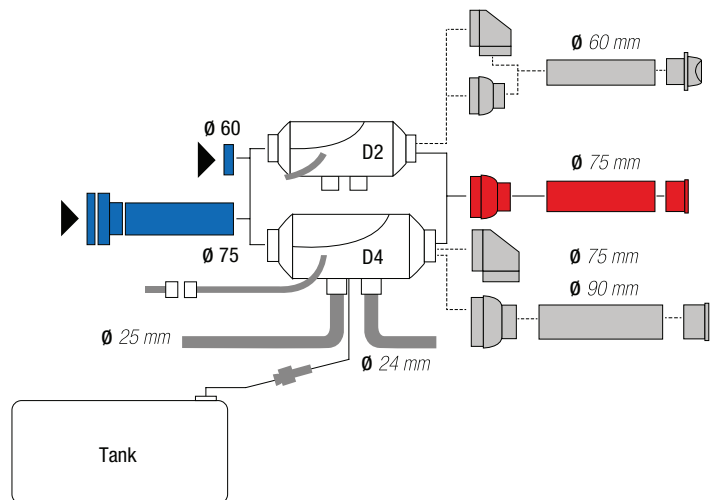
GUIDE VALUES FOR REQUIRED HEATING OUTPUT

Example	Volume of interior	Outside temperature		
		< -15 °C	-15 °C to 0 °C	> 0 °C
Truck cabin	< 8 m ³	4 kW	3 kW (2 kW)*	2 kW
Small bus	8 – 12 m ³	5 kW (4 kW)*	4 kW (3 kW)*	2 kW
Motor home / van	12 – 20 m ³	8 kW	6 kW (5 kW)*	4 kW
Yacht / boat	> 20 m ³	see documentation: Marine catalog		



* Values (referring to heat-insulated cabins / vehicles)



AIRTRONIC FUNCTIONS:

- Airtronic D2: the smallest air heater on the market, advantageous in cramped installation spaces.
- Airtronic D4: output 4,000 W, air ducting 90 mm, for vans and suitably sized trucks; offers the advantage of high power within a reasonable installation space, wide range of applications, from 900 W (gasoline 1,300 W) to 4,000 W.
- Airtronic D3: in well insulated vehicles, 3,000 W, 90 mm air ducting, energy-saving benefits of 7 – 24 W which makes it quiet and fuel-efficient, wide-ranging application 900 – 3,000 W.
- Airtronic D4 Plus: generally for longer air ducting, with the advantage of a higher air flow volume with 90 and / or 75 mm ducting.



PRODUCT INFORMATION

EBERSPÄCHER AIRTRONIC			
Heater		Airtronic S2 D2L	Airtronic S2 D2L
Order no.		25.2721.05.0000	25.2726.05.0000
Fuel		Diesel	Diesel
Voltage	V	12	24
Heating medium		Air	Air
Control / heat settings		Off/stepless: min.-max.	Off/stepless: min.-max.
Heat output	W	- / 850 / 2,200	- / 850 / 2,200
Fuel consumption	l/h	- / 0.1 / 0.28	- / 0.1 / 0.28
Elec. power consumption, operation	W	4 / 6 / 31	4 / 6 / 31
Elec. power consumption, start	W	≤ 100	≤ 100
Air flow volume w/hood 75 mm	kg/h	13 / 42 / 105	13 / 42 / 105
Lower voltage limit	V	10.5	21
Upper voltage limit	V	16	32
Interference suppression		Suppression class 5 to EN 55025	Suppression class 5 to EN 55025
Dimensions L x W x H	mm	310 x 115 x 122	310 x 115 x 122
Weight empty	kg	2.7	2.7
Ventilation mode		possible	possible

EBERSPÄCHER AIRTRONIC			
Heater		Airtronic M2 D4L	Airtronic M2 D4L
Order no.		25.2720.05.0000	25.2729.05.0000
Fuel		Diesel	
Voltage	V	12	24
Heating medium		Air	
Control / heat settings		Off/stepless: min.-max.	
Heat output	W	- / 900 / 4,000	- / 900 / 4,000
Fuel consumption	l/h	- / 0.11 / 0.51	- / 0.11 / 0.51
Elec. power consumption, operation	W	5 / 6 / 42	
Elec. power consumption, start	W	≤ 100	
Air flow volume w/hood 75 mm	kg/h	22 / 60 / 180	22 / 60 / 180
Lower voltage limit	V	10.5	21
Upper voltage limit	V	16	32
Interference suppression		Suppression class 5 to EN 55025	
Dimensions L x W x H	mm	376 x 140 x 150	376 x 140 x 150
Weight empty	kg	4.5	4.5
Ventilation mode		possible	

AIRTRONIC S2/M2 DIESEL AIR HEATER - 7,500 BTU / 13,600 BTU

AIRTRONIC S2/M2

Part Description	Part Number
S2 D2L 12V Commercial with fuel pump - No installation parts	25.2721.05.0000
S2 D2L 24V Commercial with fuel pump - No installation parts	25.2726.05.0000
M2 D4L 12V Commercial with fuel pump - No installation parts	25.2720.05.0000
M2 D4L 24V Commercial with fuel pump - No installation parts	25.2729.05.0000
M2 D4R 12V with fuel pump - No installation parts*	25.2746.05.0000

AIRTRONIC S2/M2 HEATER WITH INSTALLATION KIT

Part Description	Part Number
S2 D2L Install Kit 12V	20.2827.21.0200
S2 D2L Install Kit 12V w/ EasyStart Pro and Universal pick up pipe RECOMMENDED	20.2827.21.0201
S2 D2L Install Kit 24V	20.2827.26.0200
M2 D4L Install Kit 12V	20.2827.20.0400
M2 D4L Install Kit 24V	20.2827.29.0400

* M2 D4R heater is intended for use on installations with high duct ratings. Installation parts need to be selected from Heater's manual. This high duct rating heater has higher power consumption than the standard D4L heater.

AIRTRONIC M2 B4 GASOLINE AIR HEATER - 13,600 BTU

AIRTRONIC M2 B4 - GASOLINE

Part Description	Part Number
Gasoline M2 B4L 12V Commercial with fuel pump	20.1987.05.0000

AIRTRONIC M2 B4 - GASOLINE HEATER WITH INSTALLATION KIT

Part Description	Part Number
M2 B4L 12V Install Kit	20.2819.87.0400

RETURN AIR KIT

Part Description	Part Number
60mm D2 Airtronic	20.2800.50.0202
75mm B/D4 Airtronic	20.2800.50.0400

■ Item in the Kit



HARDWARE KIT INCLUDES:

Fuel Clamps	Mounting Screws
Nuts	Ducting Clamps
Cable Ties	Washers
Grommets	Routing Clamps
Exhaust Clamps	End Caps
	Exhaust Brackets

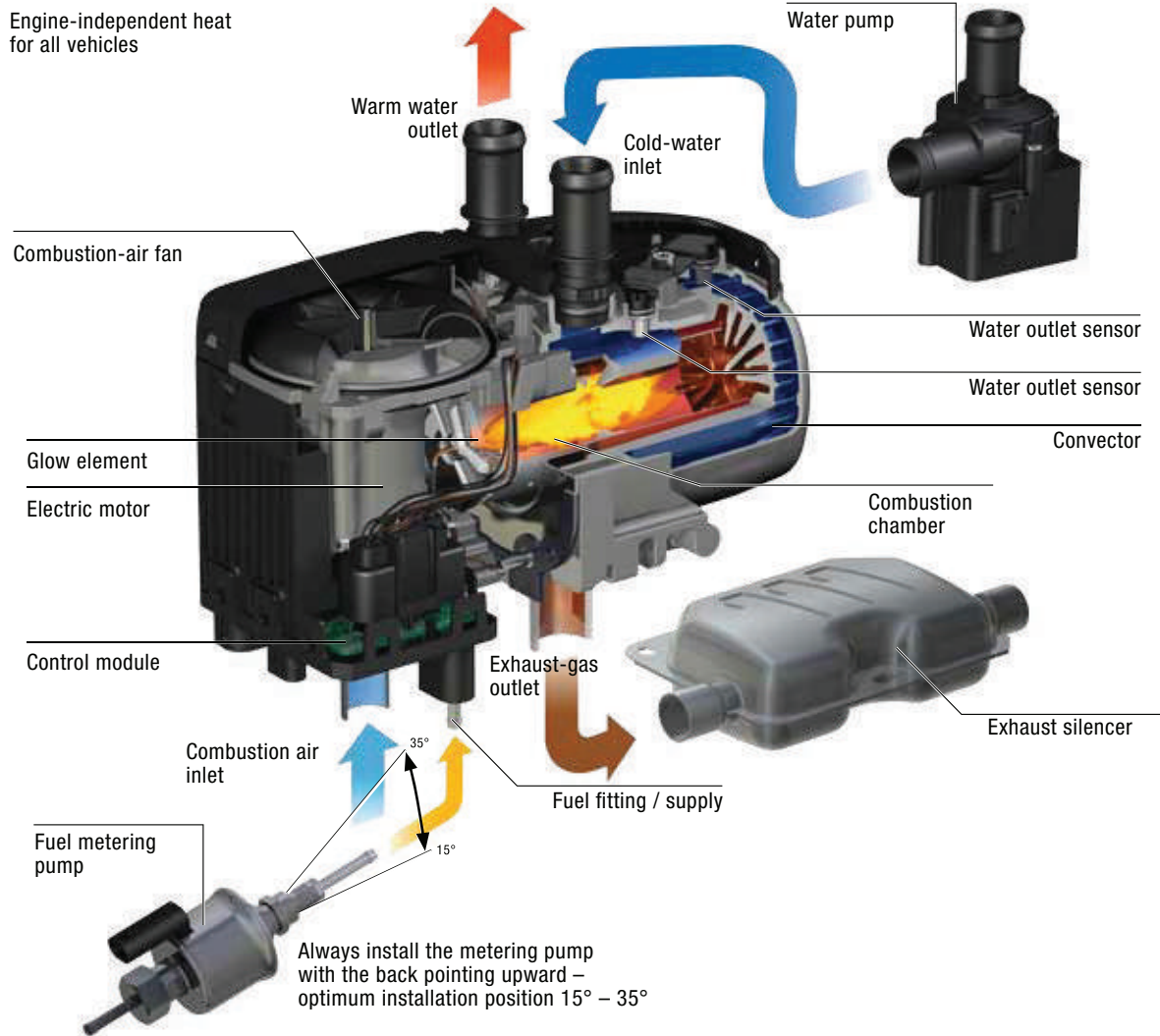
FUEL SYSTEM INCLUDES:

Clamps
5 mm Fuel Line
Plastic Fuel Line
3.5 mm Fuel Line

Refer to the Accessories Section for ducting components and additional accessories.
Refer to heater manual for individual installation parts.

PRODUCT INFORMATION

HYDRONIC S3 ECONOMY: TECHNOLOGY

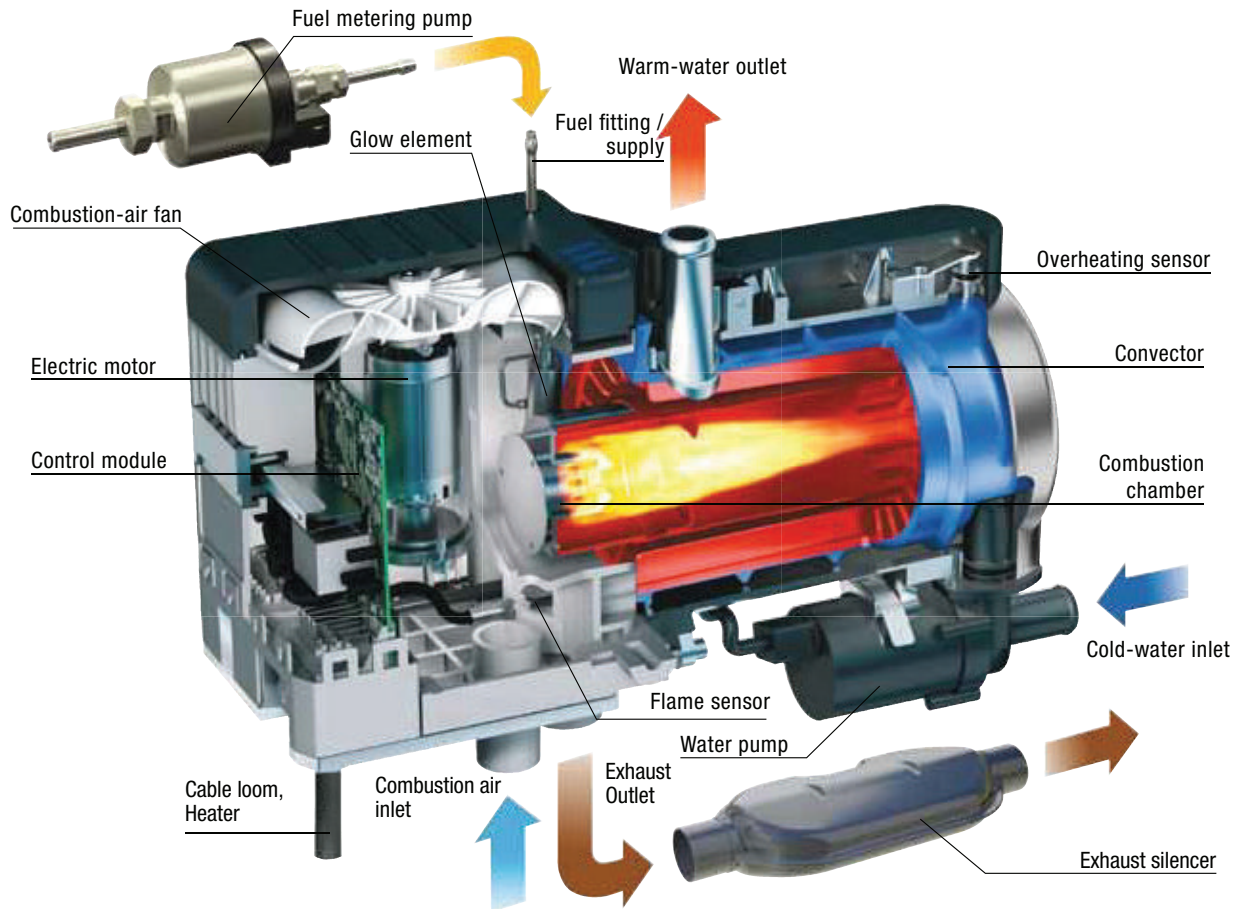


HYDRONIC S3 ECONOMY* FUNCTIONS:

- 1
- 1
- 2
 - Combustion air is conveyed to the combustion chamber by the fan motor and impeller.
- 3
 - Fuel is drawn from the vehicle's tank.
 - Fuel is conveyed to the combustion chamber by the metering pump (reciprocating pump).
- 4
 - The glow element vaporizes this fuel as it enters the combustion chamber and creates a combustible fuel-air mix with the combustion air.
 - The resulting flame formation switches off the glow element, transfers the heat to the cooling water via the convector, and diverts exhaust gas via the exhaust silencer.
- 5
 - The cooling water circulation pump conveys cool water to the heater, where it is warmed by the convector and then routed to the vehicle's convector and combustion engine.

PRODUCT INFORMATION

HYDRONIC M: TECHNOLOGY



HYDRONIC M FUNCTIONS:

- Combustion air is conveyed to the combustion chamber by the fan motor and impeller.
- Fuel is drawn from the vehicle's tank.
- Fuel is conveyed to the combustion chamber by the metering pump (reciprocating pump).
- The glow element vaporises this fuel as it enters the combustion chamber and creates a combustible fuel-air mix with the combustion air.
- The resulting flame formation switches off the glow element, transfers the heat to the cooling water via the convector, and diverts exhaust gas via the exhaust silencer.
- The cooling water circulation pump conveys cool water to the heater, where it is warmed by the convector and then routed to the vehicle's own convector and combustion engine.

1

1

2

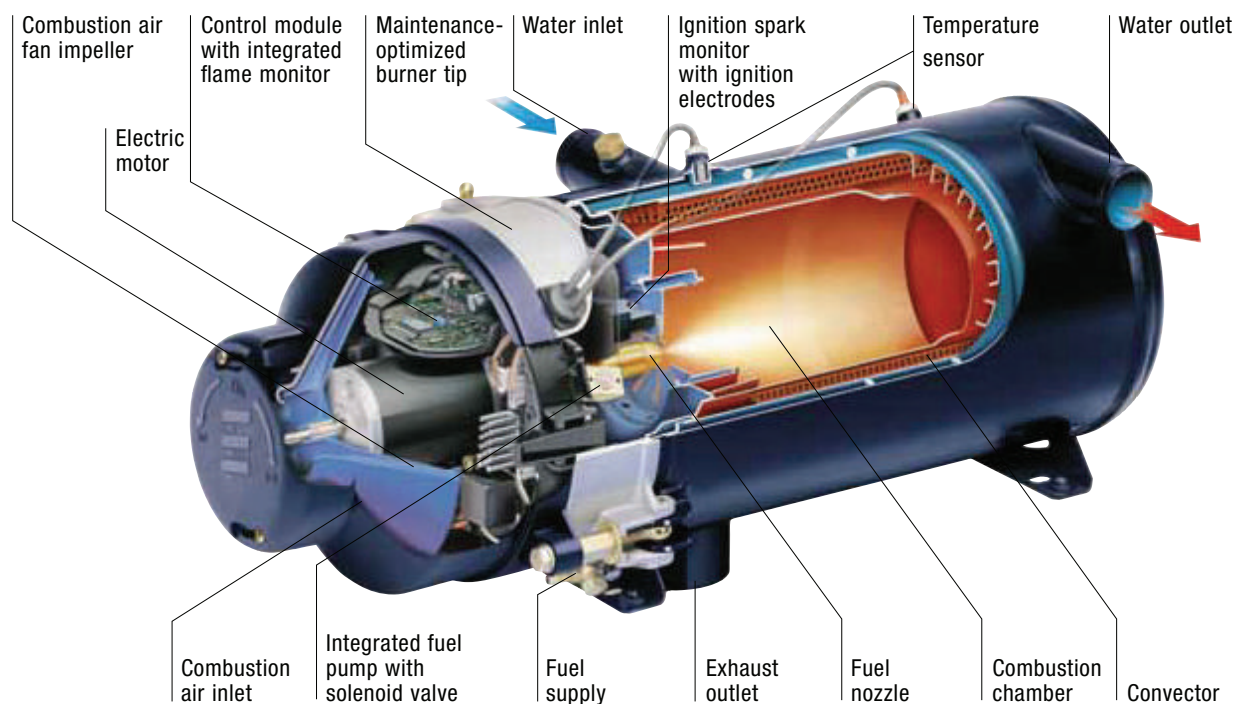
3

4

5

PRODUCT INFORMATION

HYDRONIC L: TECHNOLOGY



HYDRONIC L FUNCTIONS:

- Combustion air is conveyed to the combustion chamber by the fan motor and impeller.
- A gear pump conveys fuel from the vehicle's tank and builds up pressure against the closed solenoid valve.
- The solenoid valve opens and the fuel is atomized by the fuel nozzle in the combustion chamber / flame tube.
- The ignition spark monitor ignites the fuel-air mix.
- The resulting flame detection by an optical flame sensor switches off the ignition spark monitor, transfers the heat to the cooling water via the convector, and diverts exhaust gas via the exhaust silencer.
- The cooling water circulation pump conveys cool water to the heater, where it is warmed by the convector and then routed to the vehicle's own convector and combustion engine.

1

1

2

3

4

5

PRODUCT INFORMATION



EBERSPÄCHER HYDRONIC

Heater	Hydronic S3 Economy	Hydronic S3 Economy	Hydronic S3 Economy	Hydronic S3 Economy
Product package	Heater	Heater	Heater	Heater
Techn. designation	Hydronic HS3 CS Economy B5E	Hydronic HS3 CL Economy B5E	Hydronic HS3 CS Economy D5E	Hydronic HS3 CL Economy D5E
Order no. for heater	20.2051.05.0000	20.2048.05.0000	25.2993.05.0000	25.2971.05.0000
Order no. for heater with PRMP*	–	–	25.2994.05.0000	25.2990.05.0000
Fuel	Gasoline	Gasoline	Diesel	Diesel
Voltage V	12	12	12	12
Heating medium	Mixture of water and anti-freeze (Proportion of antifreeze at least 10 % up to 50 % maximum)			
Control / heat settings	Infinitely variable	Infinitely variable	Infinitely variable	Infinitely variable
Heat output W	1,800 to 5,000	1,800 to 5,000	1,300 to 5,000	1,300 to 5,000
Fuel consumption l / h	0.23 / 0.67	0.23 / 0.67	0.15 / 0.59	0.15 / 0.59
Power consumption, heater W	7 / 32	7 / 32	5 / 32	5 / 32
Power consumption, water pump W	17	17	17	17
Elec. power consumption, start W	135	135	135	135
Minimum water throughput l / h	300	300	300	300
Lower voltage limit V	10.5	10.5	10.5	10.5
Upper voltage limit V	16	16	16	16
Protection rating	Heater: IP5K6K, IP5K9K, Control module: IP6K6K, IP6K9K		Heater: IP5K6K, IP5K9K, Control module: IP6K6K, IP6K9K	
Dimensions L x W x H mm	215 x 91 x 124	215 x 91 x 124	215 x 91 x 124	215 x 91 x 124
Weight empty kg	2.0	2.0	2.0	2.0



EBERSPÄCHER HYDRONIC

Heater	HS3 CS D6L Commercial			
Product package	Heater			
Order no. for heater	25.2972.05.0000			
Fuel	Diesel – standard commercially available (EN 590) Blending with max. 30 % FAME according to EN 14214 is permitted.			
Voltage V	24			
Heating medium	Mixture of water and anti-freeze (Proportion of antifreeze at least 10 % up to 50 % maximum)			
Control / heat settings	Minimum / Maximum			
Heat output W	1,300 / 5,600			
Fuel consumption l / h	0.15 / 0.65			
Power consumption, heater W	5 / 37			
Power consumption, water pump W	11			
Elec. power consumption, start W	135			
Minimum water throughput l / h	300			
Lower voltage limit V	20.4			
Upper voltage limit V	32			
Interference suppression	5 (DIN EN 55025)			
Dimensions L x W x H mm	215 x 91 x 124			
Weight empty kg	2.0			

*PRMP: Pressure resistant metering pump

PRODUCT INFORMATION



EBERSPÄCHER HYDRONIC

Heater	Hydronic M8 Biodiesel	Hydronic M8 Biodiesel	Hydronic M10	Hydronic M10
Product package	Heater	Heater	Heater	Heater
Techn. designation	Hydronic M-II (D8W)	Hydronic M-II (D8W)	Hydronic M-II (D10W)	Hydronic M-II (D10W)
Order no. for heater	25.2470.05.0000	25.2471.05.0000	25.2434.05.0000	25.2435.05.0000
Fuel	Diesel and FAME (biodiesel)	Diesel and FAME (biodiesel)	Diesel	Diesel
Voltage V	12	24	12	24
Heating medium	Mixture of water and anti-freeze (Proportion of antifreeze at least 10 % up to 50 % maximum)			
Control / heat settings	low / medium / high / power	low / medium / high / power	low / medium / high / power	low / medium / high / power
Heat output W	1,500 / 3,500 / 5,000 / 8,000	1,500 / 3,500 / 5,000 / 8,000	1,500 / 3,500 / 8,000 / 9,500	1,500 / 3,500 / 8,000 / 9,500
Fuel consumption l / h	0.18 / 0.4 / 0.65 / 0.9	0.18 / 0.4 / 0.65 / 0.9	0.18 / 0.4 / 0.9 / 1.2	0.18 / 0.4 / 0.9 / 1.2
Power consumption, heater W	6 / 10 / 17 / 26	6 / 10 / 17 / 26	6 / 10 / 31 / 57	6 / 10 / 31 / 57
Power consumption, water pump W	29	29	29	29
Elec. power consumption, start W	200	200	120	120
Minimum water throughput l / h	500	500	500	500
Lower voltage limit V	10	20	10	20
Upper voltage limit V	15	30	15	30
Interference suppression	5 (DIN EN 55025)	5 (DIN EN 55025)	5 (DIN EN 55025)	5 (DIN EN 55025)
Dimensions L x W x H mm	331 x 138 x 221	331 x 138 x 221	331 x 138 x 221	331 x 138 x 221
Weight empty kg	6.2	6.2	6.2	6.2







EBERSPÄCHER HYDRONIC

Heater	Hydronic M12	Hydronic M12
Product package	Heater	Heater
Techn. designation	Hydronic M-II (D12W)	Hydronic M-II (D12W)
Order no. for heater	25.2472.05.0000	25.2473.05.0000
Fuel	Diesel	Diesel
Voltage V	12	24
Heating medium	Mixture of water and anti-freeze (Proportion of antifreeze at least 10 % up to 50 % maximum)	
Control / heat settings	low / medium 1 / medium 2 / medium 3 / high / power	low / medium 1 / medium 2 / medium 3 / high / power
Heat output W	1,200 / 1,500 / 3,500 / 5,000 / 9,500 / 12,000	1,200 / 1,500 / 3,500 / 5,000 / 9,500 / 12,000
Fuel consumption l / h	0.15 / 0.18 / 0.4 / 0.65 / 1.2 / 1.5	0.15 / 0.18 / 0.4 / 0.65 / 1.2 / 1.5
Power consumption, heater W	5 / 6 / 10 / 17 / 57 / 103	5 / 6 / 10 / 17 / 57 / 103
Power consumption, water pump W	29	29
Elec. power consumption, start W	120	120
Minimum water throughput l / h	500	500
Lower voltage limit V	10	20
Upper voltage limit V	15	30
Interference suppression	5 (DIN EN 55025)	5 (DIN EN 55025)
Dimensions L x W x H mm	331 x 138 x 221	331 x 138 x 221
Weight empty kg	6.2	6.2

PRODUCT INFORMATION

EBERSPÄCHER HYDRONIC

				
Heater	Hydronic L16 Heater	Hydronic L24 Heater	Hydronic L30 Heater	Hydronic L35 Heater
Techn. designation	Hydronic L-II (HL2-16)	Hydronic L-II (HL2-24)	Hydronic L-II (HL2-30)	Hydronic L-II (HL2-35)
Order no. for heater	25.2486.02.0000	25.2487.02.0000	25.2599.02.0000	25.2600.02.0000
Order no. for compact heater	–	–	25.2599.05.0000	25.2600.05.0000
Fuel	Diesel and fuel oil	Diesel and fuel oil	Diesel and fuel oil	Diesel and fuel oil
Voltage V	24	24	24	24
Heating medium	Mixture of water and anti-freeze (Proportion of antifreeze at least 10 % up to 50 % maximum)			
Heat output W	16,000	24,000	30,000	35,000
Fuel consumption l / h	2	2.9	3.65	4.2
Power consumption, heater W	60	80	105	120
Power consumption, water pump W	104 – 210*	104 – 210*	104 – 210*	104 – 210*
Minimum water throughput l / h	1,400	2,000	2,600	3,000
Lower voltage limit V	20	20	20	20
Upper voltage limit V	30	30	30	30
Dimensions L x W x H mm	600 x 230 x 222	600 x 230 x 222	600 x 230 x 222	600 x 230 x 222
Weight empty** kg	18	18	18	18

* depending on the water pump model

EBERSPÄCHER WATER PUMPS FOR HYDRONIC L

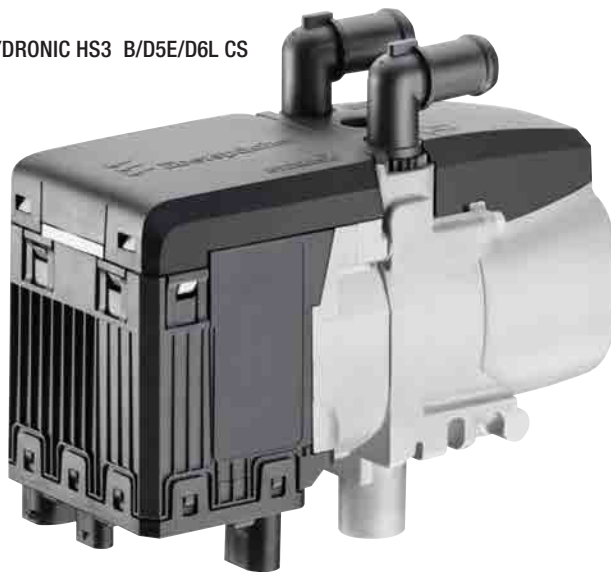
		
Water pumps	Flowtronic 5000	Flowtronic 6000 SC
Order no. for water pump	25.2488.26.0000	25.2488.25.0000
Coolant	Water-glycol mix with up to max 50 % glycol	Water-glycol mix with up to max 50 % glycol
Delivery rate l / h	5,200 at 0.2 bar	6,000 at 0.4 bar
Operating pressure bar	max. 2	max. 2
Nominal voltage V	24	24
Elec. power consumption W	104	210
Protection class	IP5K4	IP25 (potted electronics)
Dry running	No	Yes – motor switches itself off after 45 minutes
Shaft-impeller connector	Mechanical seal	Magnetic coupling
Weight empty* kg	2.04	2.5

HYDRONIC HS3 CS COOLANT HEATER - 17,100 BTU

		Heater	Harness	Fuel System	Coolant Hose	Mounting Bracket	Control Options / Timers	Fuel Pickup Pipe	Hardware Kit	Exhaust Pipe	Intake Pipe	Boxed	Manuals
HYDRONIC HS3 D5E/D6L CS - DIESEL													
D5E 12V Economy with FMP and water pump - No installation parts	25.2993.05.0000	■											■
D6L 24V Commercial with FMP and water pump - No installation parts	25.2972.05.0000	■											■
HYDRONIC HS3 D5E/D6L CS - DIESEL HEATER WITH INSTALLATION KIT													
Install Kit HS3 CS D5E 12 V	25.2829.34.0500	■	■	■	■	■			■	■	■	■	■
Install Kit HS3 CS D5E Boxed 12 V Right	25.2829.34.0501	■	■	■	■	■	■		■	■	■	■	■
Install Kit HS3 CS D6L 24 V	25.2827.45.0600	■	■	■	■	■			■	■	■	■	■
Install Kit HS3 CS D6L Boxed 24 V Right	25.2827.45.0601	■	■	■	■	■	■		■	■	■	■	■
HYDRONIC HS3 B5E CS - GASOLINE													
B5E 12V Economy with FMP and water pump - No installation parts	20.2051.05.0000	■											■
HYDRONIC HS3 B5E CS - GASOLINE HEATER WITH INSTALLATION KIT													
Install Kit HS3 CS B5E 12 V	25.2820.51.0500	■	■	■	■	■			■	■	■	■	■

■ Item in the kit

HYDRONIC HS3 B/D5E/D6L CS



- 1
- 1
- 2
- 3
- 4
- 5

HARDWARE KIT INCLUDES:

- Fuel Clamps
- Grommets
- Ducting Clamps
- End Caps
- Nuts
- Exhaust Clamps
- Washers
- Exhaust Brackets
- Cable Ties
- Mounting Screws
- Routing Clamps

FUEL SYSTEM INCLUDES:

- Clamps
- 5 mm Fuel Line
- Plastic Fuel Line
- 3.5 mm Fuel Line

Refer to the Accessories Section for ducting components and additional accessories.

PICK-UP TRUCK KITS HYDRONIC HS3 - 17,100 BTU

GAS KITS					Heater	Harness	Fuel System	Mounting Bracket	Control Device	Fuel Pickup Pipe	Hardware Kit	Exhaust Pipe	Intake Pipe	Blower Control Option	Manuals
Heater HS3 B5E 12V CL					20.2048.05.0000										
Installation kit	Dodge	RAM	5.7L V8	2017 and up	24.8000.35.0019										
Installation kit	GMC	Sierra/Silverado	5.3L V8	2015 and up	24.8000.35.0020										
Heater HS3 B5E 12V CS					20.2051.05.0000										
Installation kit	Dodge	RAM	5.7L V8	2019 and up	24.8000.35.0063										
Installation kit	Dodge	RAM	6.4L V8	2020 and up	24.8000.35.0093										
Installation kit with cold start kit	GMC	Sierra/Silverado	6.2L V8	2020 and up	24.8000.39.0055										
DIESEL KITS															
Heater HS3 D5E 12V CL					25.2971.05.0000										
Heater HS3 D5E 12V CL w. PRMP*					25.2990.05.0000										
Installation kit with cold start kit	Ford	F250/F350	6.7L V8	2016 and up	24.8000.35.0034										
Installation kit	Dodge	RAM	6.7L V6	2017 and up	24.8000.35.0035										
Installation kit with cold start kit	GMC	Sierra/Silverado	6.6L V8	2017 and up	24.8000.35.0038										
Heater HS3 D5E 12V CS					25.2993.05.0000										
Heater HS3 D5E 12V CS w. PRMP*					25.2994.05.0000										
Installation kit	Dodge	RAM	6.7L V8	2019 and up	24.8000.35.0090										
Installation kit with cold start kit	GMC	Sierra/Silverado	6.6L V8	2020 and up	24.8000.39.0056										
RELATED PARTS															
EasyStart Timer (For HS3 CL heaters)					22.1000.34.1500										
EasyStart PRO Controller (For HS3 CS heaters)					20.1000.35.2200										
Control Kit Wi-Fi Remote (For HS3 CL and CS heaters)					20.2800.70.2300										

*PRMP: Pressure resistant metering pump

■ Item in the kit



HARDWARE KIT INCLUDES:

- Fuel Clamps
- Grommets
- Ducting Clamps
- End Caps
- Nuts
- Exhaust Clamps
- Washers
- Exhaust Brackets
- Cable Ties
- Mounting Screws
- Routing Clamps

FUEL SYSTEM INCLUDES:

- Clamps
- 5 mm Fuel Line
- Plastic Fuel Line
- 3.5 mm Fuel Line

Refer to the Accessories Section for additional accessories.



HYDRONIC M-II

SERIES: 27,300, 32,450, 42,000 BTU

		Heater	Harness	Fuel System	Coolant Hose	Mounting Bracket	Control Options / Timers	Fuel Pickup Pipe	Hardware Kit	Exhaust Pipe	Intake Pipe	Boxed	Manuals
HYDRONIC 10 / M													
HYDRONIC M8 biodiesel 12 volt	25.2470.05.0000	■											■
HYDRONIC M8 biodiesel 24 volt	25.2471.05.0000	■											■
HYDRONIC M10 12 volt	25.2434.05.0000	■											■
HYDRONIC M10 24 volt	25.2435.05.0000	■											■
HYDRONIC M12 12 volt	25.2472.05.0000	■											■
HYDRONIC M12 24 volt	25.2473.05.0000	■											■
HYDRONIC M12 24 volt w/Hella	25.2725.05.0000	■											■
HYDRONIC M12 12 volt Boxed Kit	25.2824.72.1210	■	■	■		■		■	■	■	■	■	■
HYDRONIC M12 24 volt Boxed Kit	25.2824.73.1210	■	■	■		■		■	■	■	■	■	■
HYDRONIC M12 12 volt Boxed Kit w/high Capacity Pump	25.2824.72.0012	■	■	■		■		■	■	■	■	■	■
HYDRONIC M12 24 volt Boxed Kit w/high Capacity Pump	25.2824.73.0024	■	■	■		■		■	■	■	■	■	■
UNIVERSAL INSTALLATION KITS													
Eberspaecher Universal Install 12V with diagnostic connection	25.2800.90.1012		■	■		■			■	■	■		
Eberspaecher Universal Install 24V with diagnostic connection	25.2800.90.1024		■	■		■			■	■	■		
Air Int Muffler w/end Cap	25.1786.80.0200										■		

■ Item in the kit



- 1
- 1
- 2
- 3
- 4
- 5

HYDRONIC M-II — BUILD YOUR OWN KIT SERIES: 42,000 BTU - CARB APPROVED

		Heater	Harness	Fuel System	Coolant Hose	Mounting Bracket	Control Options / Timers	Fuel Pickup Pipe	Hardware Kit	Exhaust Pipe	Intake Pipe	Boxed	Manuals
HYDRONIC M II													
STEP 1 - SELECT BASIC KITS:													
HYDRONIC M12 12 volt, Basic assembly	25.2824.72.1203	■	■	■		■			■	■	■	■	■
HYDRONIC M12 24 volt, Basic assembly	25.2824.73.1201	■	■	■		■			■	■	■	■	■
STEP 2 - SELECT ONE OF THE FOLLOWING CONTROL OPTIONS													
EasyStart Timer	22.1000.34.1500												
Multi Max F-1000 Controller	20.2800.70.1600												
Programmable Timer With LVD	25.2800.70.1010												
Programmable Timer With LVD Dual Input	25.2800.70.2020												
Pro. Timer w/LVD Dual Output Switch	25.2800.70.3030												
STEP 3 - SELECT FUEL PICKUP PIPE OPTIONS													
Fuel Pick Up Pipe 4mm with 1/2 NPT	20.2900.20.2050												
Pick Up Pipe 4mm ID X 16IN	5520001												
Fuel Pipe with Vent 4mm ID - 19.5 IN	20.2900.20.4006												

■ Item in the kit

E-GUARDIAN DIESEL / WATER

E-Guardian HYDRONIC M-II KITS

Boxed D12 E-GUARDIAN II ASMBLY 12V	25.2824.72.1202
Boxed D12 MII - Series Asmbly - 12V	25.2824.72.1210
Boxed D12 MII - Series Asmbly - 24V	25.2824.73.1210

Spare Parts:

E-Guardian Coolant Pump 12 V	25.2596.25.0100
E-Guardian 12 Replacement Heater	25.2596.05.0000

Heater	Harness	Fuel System	Coolant Hose	Mounting Bracket	Control Options / Timers	Fuel Pickup Pipe	Hardware Kit	Exhaust Pipe	Intake Pipe	Boxed	Manuals
■	■	■		■	■	■	■	■	■	■	
				■	■	■	■	■	■	■	
				■	■	■	■	■	■	■	
■											■

■ Item in the kit



- 1
- 1
- 2
- 3
- 4
- 5

HARDWARE KIT INCLUDES:

- | | | | |
|-------------|-----------------|----------------|------------------|
| Fuel Clamps | Grommets | Ducting Clamps | End Caps |
| Nuts | Exhaust Clamps | Washers | Exhaust Brackets |
| Cable Ties | Mounting Screws | Routing Clamps | |

FUEL SYSTEM INCLUDES:

- Clamps
- 5 mm Fuel Line
- Plastic Fuel Line
- 3.5 mm Fuel Line

Refer to the Accessories Section for ducting components and additional accessories.

HYDRONIC L-II

SERIES: 55,000, 82,000, 102,000, 120,000 BTU

HYDRONIC L 16 Basic Heater 24V	25.2486.02.0000
HYDRONIC L 24 Basic Heater 24 volt	25.2487.02.0000
HYDRONIC L 30 Basic Heater 24 volt	25.2599.02.0000
HYDRONIC L 30 Compact Water pump Flowtronic 5000 and fuel filter pre-assembled	25.2599.05.0000
HYDRONIC L 35 Basic Heater 24 volt	25.2600.02.0000
HYDRONIC L 35 Compact Water pump Flowtronic 5000 and fuel filter pre-assembled	25.2600.05.0000

ACCESORIES

HARNES	Universal Harness	20.2900.70.0510
FUEL	Nipple and Nut Connectors for compact version (1 required)	20.2900.20.2071
	Fuel Line 5.0mm black rubber	360 75 350
	Clamps 11mm	10.2068.01.1098
	Fuel Pick-up with Return	20.2900.20.2059
	L-II Filter Base and Bracket	25.2488.05.0100
EXHAUST	Flexible Stainless Steel Exhaust Tube 70mm	5530015
	Muffler Clamp 3"	5530004
	Exhaust Elbow (70mm exhaust) D30 / D35	22.1000.40.0300
PUMPS	Coolant Pump 24volt (5,000 L/hr)	25.2488.26.0000
	Flowtronic Coolant Pump 24 volt (6,000 L/hr)	25.2488.25.0000
CONTROLS	Multi Max F-1000 Controller	20.2800.70.1600
	Programmable Timer With LVD	25.2800.70.1010
	Programmable Timer With LVD Dual Input	25.2800.70.2020
	Pro. Timer w/LVD Dual Output Switch	25.2800.70.3030



When using Artic Fox Systems, be sure and specify heaters with high capacity pumps.

1

1

2

3

4

5

HYDRONIC L-II OFF HIGHWAY KITS

HYDRONIC L-II OFF HIGHWAY

HYDRONIC 30 L-II Boxed Off-Highway Assembly 12V w/6000 L pump	25.2800.10.3612
HYDRONIC 30 L-II Boxed Off-Highway Assembly 24V w/6000 L pump	25.2800.10.3600
HYDRONIC 35 L-II Boxed Off-Highway Assembly 24V w/6000 L pump	25.2800.10.5624

Heater	Harness	Fuel System	Coolant Hose	Mounting Bracket	Control Options / Timers	Fuel Pickup Pipe	Hardware Kit	Exhaust Pipe	Intake Pipe	Boxed	Manuals
■	■			*			■	■		■	■
■	■			*			■	■		■	■
■	■			*			■	■		■	■

■ Item in the kit

* Mounting holes on base. No mounting hardware included

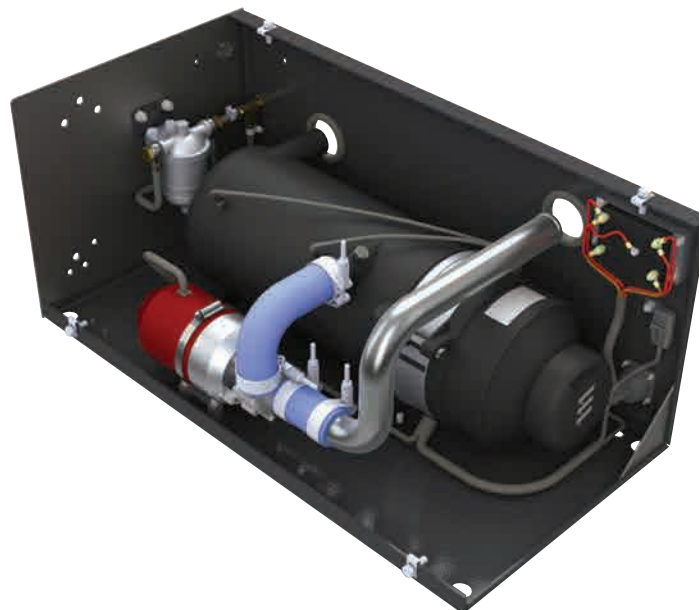
Fuel

Hose Fuel 5 x 3mm black rubber	360 75 350
Single Pick-up Pipe 4.0 mm with Return (61 cm or 24")	20.2900.20.2059
Clamp 11mm, 4 qty.	10.2068.01.1098

Controls

Multi Max F-1000 Controller	20.2800.70.1600
Programmable Timer With LVD	25.2800.70.1010
Programmable Timer With LVD Dual Input	25.2800.70.2020
Pro. Timer w/LVD Dual Output Switch	25.2800.70.3030

- Packaged for Off-Highway and oilfield applications
- 12 and 24 volt options
- Eliminate cold starts
- Minimize diesel exhaust emissions
- Rugged, compact
- Versatile fluid pre-heating
- Standard with pre-heated nozzle










ACCESSORIES PARTS GUIDE










Chapter	Chapter title Chapter content	Page
3	Accessories parts guide	
	Timers and controllers table	28 – 29
	Control options and timers	34
	Hydronic heaters control options and timers	30 – 32
	Testers, adapters and special tools	33 – 35
	Fuel system	36 – 41
	Mounting parts	42 – 47
	Fuse holders, fuses and breakers	48
	Terminals and connectors	49 – 51
	Power converters 12V to 24V	52
	Exhaust	53 – 56
	Ducting	57 – 66
	Intake (Combustion air)	67
	Coolant pumps	68 – 69
	Plumbing	70 – 74
	Fuel system guide	76
	Ducting rating guide	77 – 87

TIMERS AND CONTROLLERS

							
AVAILABLE FUNCTIONS	DIGI-MAX CONTROLLER	EASYSTART TIMER	EASYSTART PRO CONTROLLER	WI-FI REMOTE CONTROL	MULTI-MAX F-1000	PROGRAMMABLE TIMER	MULTI-FUNCTION
Order number	20.2800.70.1500	22.1000.34.1500	20.2800.70.2200	20.2800.70.2300	20.2800.70.1600	5670433 12V 5670434 24V	25.2800.70.1010
Heater On/OFF with status indicator	<input checked="" type="checkbox"/>	<input checked="" type="checkbox"/>	<input checked="" type="checkbox"/>	<input checked="" type="checkbox"/>	<input checked="" type="checkbox"/>	<input checked="" type="checkbox"/>	<input checked="" type="checkbox"/>
Run Time limiter with selectable presets	<input checked="" type="checkbox"/>	<input checked="" type="checkbox"/>	<input checked="" type="checkbox"/>	<input checked="" type="checkbox"/>	<input checked="" type="checkbox"/>	<input checked="" type="checkbox"/>	<input checked="" type="checkbox"/>
Built in diagnostic with fault code display (numerical, verbal or both)	<input checked="" type="checkbox"/>	<input checked="" type="checkbox"/>	<input checked="" type="checkbox"/>	<input checked="" type="checkbox"/>	<input checked="" type="checkbox"/> Blinking Diagnostic		
Clearing codes and unlocking capability	<input checked="" type="checkbox"/>	<input checked="" type="checkbox"/>	<input checked="" type="checkbox"/>	<input checked="" type="checkbox"/>	<input checked="" type="checkbox"/>		
Illuminated turn and push control dial			<input checked="" type="checkbox"/>				
Programmable Timer		<input checked="" type="checkbox"/>	<input checked="" type="checkbox"/>	<input checked="" type="checkbox"/>	<input checked="" type="checkbox"/>	<input checked="" type="checkbox"/>	
Multiple Starts-Day/Week		<input checked="" type="checkbox"/>	<input checked="" type="checkbox"/>		<input checked="" type="checkbox"/>	<input checked="" type="checkbox"/>	
Use of residual heat			<input checked="" type="checkbox"/>				
Synchronization and independency of two parallel controllers (heater switched on one controller may be switched off from the other one, both controllers display same information)			<input checked="" type="checkbox"/>				
Switching heater into the High Altitude Mode (for supported heaters)			<input checked="" type="checkbox"/>				
Grouping heaters			<input checked="" type="checkbox"/>				
Standard Fan Mode		<input checked="" type="checkbox"/>	<input checked="" type="checkbox"/>				
Programmable LVD	<input checked="" type="checkbox"/>	<input checked="" type="checkbox"/>	<input checked="" type="checkbox"/>		<input checked="" type="checkbox"/>		<input checked="" type="checkbox"/>
Low voltage shutdown	<input checked="" type="checkbox"/>	<input checked="" type="checkbox"/>	<input checked="" type="checkbox"/>		<input checked="" type="checkbox"/>		<input checked="" type="checkbox"/>
Onboard temperature sensor	<input checked="" type="checkbox"/>		<input checked="" type="checkbox"/>				
Setpoint switchable between F and C	<input checked="" type="checkbox"/>	<input checked="" type="checkbox"/>	<input checked="" type="checkbox"/>				

* Refer to controllers manuals for the list of diagnostic-compatible heaters

TIMERS AND CONTROLLERS

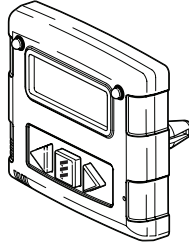
							
AVAILABLE FUNCTIONS	DIGI-MAX CONTROLLER	EASYSTART TIMER	EASYSTART PRO CONTROLLER	WI-FI REMOTE CONTROL	MULTI-MAX F-1000	PROGRAMABLE TIMER	MULTI-FUNCTION
Order number	20.2800.70.1500	22.1000.34.1500	20.2800.70.2200	20.2800.70.2300	20.2800.70.1600	5670433 12V 5670434 24V	25.2800.70.1010
Hours meter or reader	■			■	■		■
“Maintenance required” warning	■		■		■		
External control wire or port for use with external devices		■	■		■		
Low temperature display	■						
Computer programming via SD card	■						
Computer setup via Easy Scan			■				
Multilingual interface		■	■				
“Check heater” warning	■		■		■		
Ambient Air Temp Sensor	■		■			■ Cabin temp sensor	
Diagnostic Code Retrieval	■ ^{1st}	■	■	■	■ ^{1st}		
Standard Fan Mode	■	■	■		■		
10-Hour Automatic Shutoff	■			■	■		
Manual Start Mode	■	■	■	■	■	■	■
Program Memory		■	■		■	■	
Accepts External Inputs		■	■		■		■
AIR HEATERS	■	■	■	■	■		
COOLANT HEATERS		■	■	■	■	■	■

^{1st} only for 1st generation of AIRTRONIC AND HYDRONIC heaters

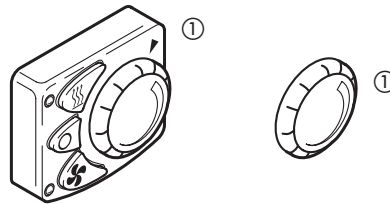
- 1
- 1
- 2
- 3
- 4
- 5

CONTROL OPTIONS AND TIMERS

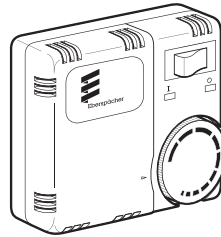
Digi-Max Controller with Diagnostic 12V & 24V



Mini Controller 12 and 24 volt
Mini Controller Knob

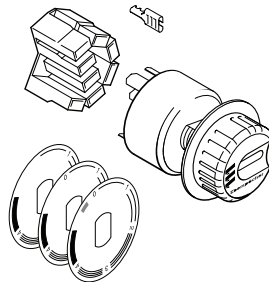


Thermostat



24 volt

Rheostat Switch



12 volt
24 volt

Wi-Fi Remote Control



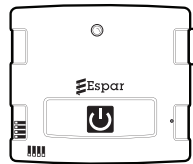
	Airtronic	Airtronic M	Airtronic L	Air heater D8LC	Hydronic HS3 CS	Hydronic 16 / 24 / 30 / 35	Hydronic M-II	Part number
Digi-Max Controller with Diagnostic 12V & 24V	~	~	■	■				20.2800.70.1500
Mini Controller 12 and 24 volt Mini Controller Knob	~	~	■	■				22.1000.32.0700 ① 5699849 ②
Thermostat								5670096
Rheostat Switch	~	~	■	■				25.1895.71.0000 25.1896.71.0000
Wi-Fi Remote Control	~	~	■	■				20.2800.70.2300

■ unrestricted use ~ restricted use no diagnostic

- 1
- 1
- 2
- 3
- 4
- 5

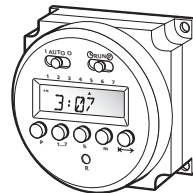
HYDRONIC HEATERS CONTROL OPTIONS AND TIMERS

Multi-Max



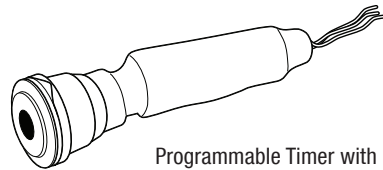
F1000 with PC Programmability & Diagnostic 12 & 24 V

Programmable Timer (No Diagnostic)



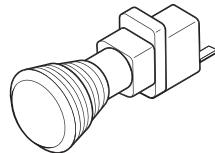
12 V
24 V

Programmable Timer with LVD



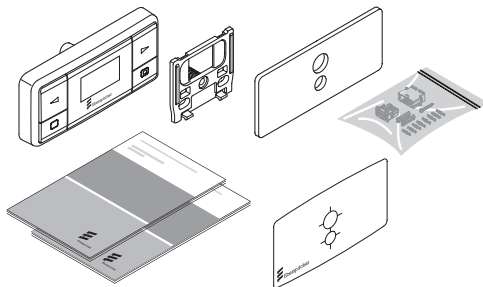
Dual Input
Programmable Timer with LVD, Dual Outputs-Detached
Push button with 24" leads for 25.2800.70.3030

Push / Pull Switch



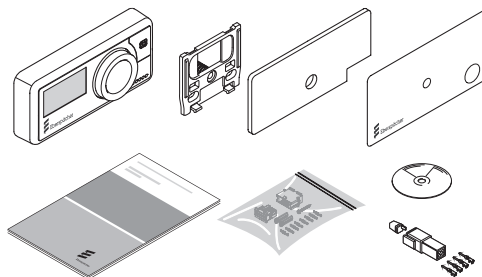
Push / Pull Switch 12 volt

EasyStart Timer



EasyStart Timer

EasyStart Pro



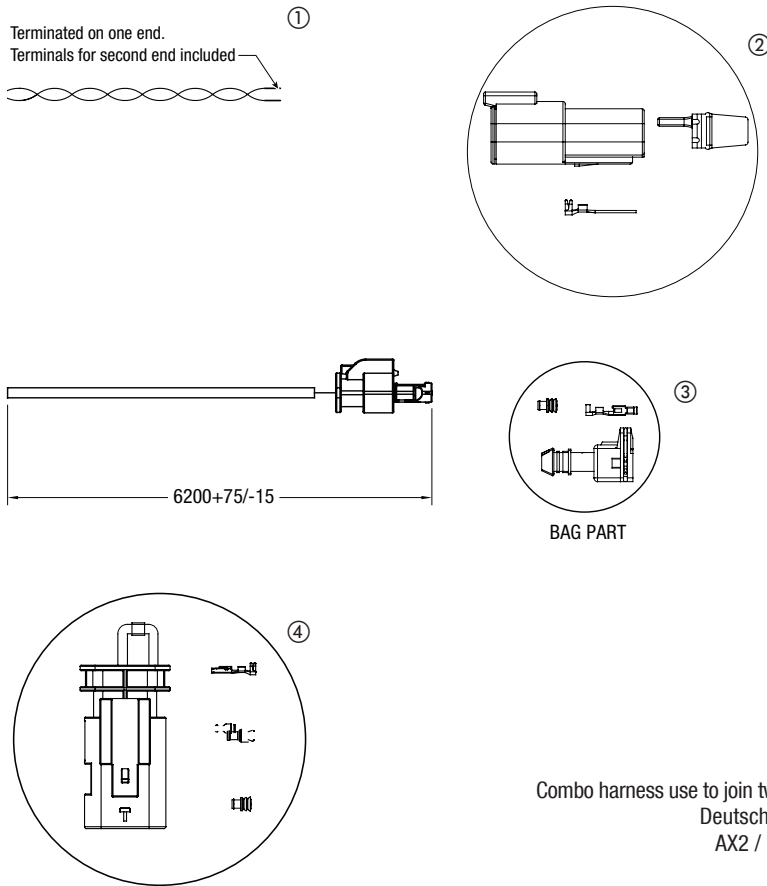
Control Kit -
EasyStart Pro with Adaptor

Airtronic	Airtronic M	Airtronic L	Air heater D8LC	Hydronic HS3 CS	Hydronic 16 / 24 / 30 / 35	Hydronic M-II	Part number
				~	■	■	20.2800.70.1600
				~	■	■	5670433 5670434
				~	■	■	25.2800.70.1010 25.2800.70.2020 25.2800.70.3030 25.2800.70.3035
				~	■	■	5670007
	■				~	■	22.1000.34.1500
■	■			■			20.2800.70.2200

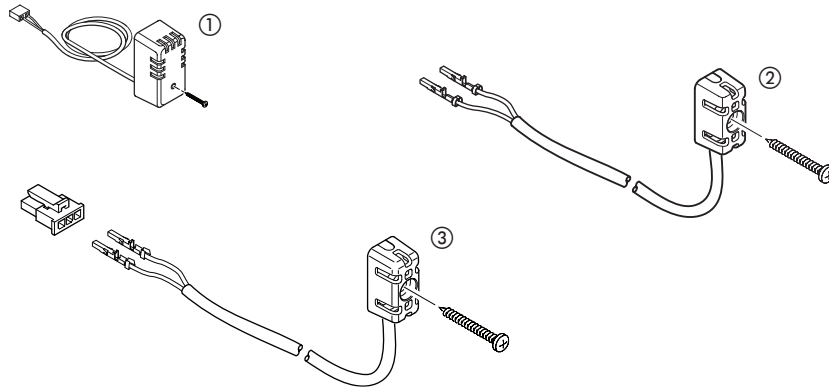
■ unrestricted use ~ restricted use no diagnostic

- 1
- 1
- 2
- 3
- 4
- 5

CAN BUS CONNECTORS AND TEMPERATURE SENSORS



Temperature Sensor



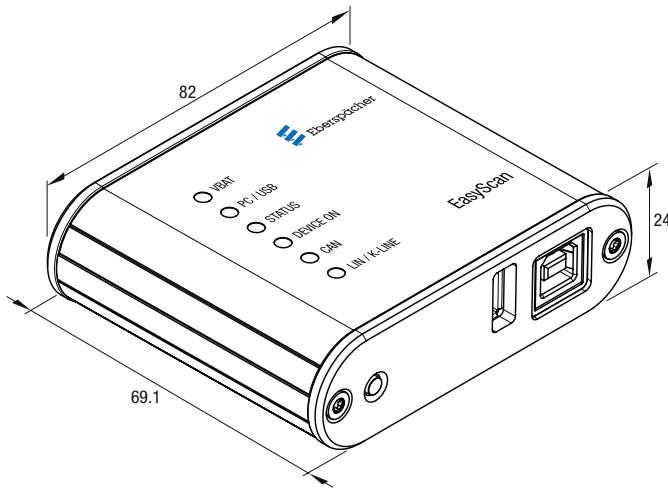
Remote Temperature Sensor (To be used as air heater's external temperature sensor ONLY)
Controller Temperature Sensor (To be used with EasyStart Timer)
Temperature Sensor (To be used with EasyStart Pro)


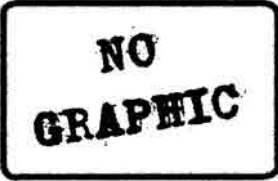

Airtronic	Airtronic M	Airtronic L	Air heater D8LC	Hydronic HS3 CS	Hydronic 16 / 24 / 30 / 35	Hydronic M-II	Part number
							20.2900.70.0015 ①
							20.2900.70.0019 ②
							20.2900.70.0020 ③
							20.2900.70.0022 ④
*	*						25.1774.89.0300 ①
							22.1000.34.2200 ②
							22.1000.34.5400 ③

* Use EasyScan to configure input as external temperature sensor ■ unrestricted use ~ restricted use, no diagnostic

TESTERS / ADAPTERS / SPECIAL TOOLS

EasyScan



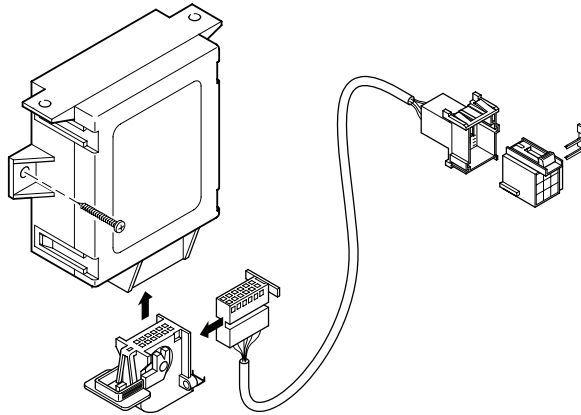
	Airtronic	Airtronic M	Airtronic L	Air heater D8LC	Hydronic HS3 CS	Hydronic 16 / 24 / 30 /35	Hydronic M-II	Part number
EasyScan								22.1550.89.0000
Tester Adapter North America for EDITH and EasyScan								
 <p>Diagnostic Adaptor (Airtronic, Hydronic I, Hydronic II) Diagnostic Adaptor Hydronic M-II Diagnostic Adaptor Hydronic M-II E-Guardian</p>								20.2900.70.5057
								25.2800.70.1004
								E 25.2800.70.0024
Adapter cable For Diagnostic device, EDITH Basic and EasyScan								
 <p>Airtronic / Airtronic M Hydronic Hydronic 2 / Hydronic 2 C / Hydronic M2 (versions from June 2012) Hydronic L / Hydronic L2</p>								22.1000.31.8600
								22.1000.31.6300
								22.1000.33.7800
								22.1000.31.6600
Adapter cable for older models of heater For EDITH Basic only								
 <p>Hydronic M Hydronic M2 (versions pre-dating June 2012) B / D1 LC compact, B / D3 LC compact, B / D3 LP compact B / D1 LC, B / D3 LC, B / D3 LP, B / D5 LC D9 W, Hydronic 10</p>								22.1000.32.5200
								22.1000.33.4400
								22.1000.30.6900
								22.1000.30.2000
								22.1000.31.8300

* Use EasyScan to configure input as external temperature sensor ■ unrestricted use ~ restricted use, no diagnostic

TESTERS / ADAPTERS / SPECIAL TOOLS

Altitude kit *

Air pressure sensor for heating mode at altitudes up to 3,500 m above sea level

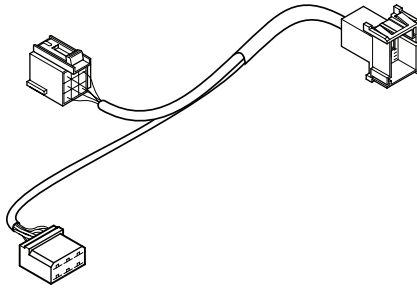


* For use with the Airtronic / Airtronic M and Hydronic / Hydronic 2 labeled "H-Kit" on the factory plate on the side

Ax2 and HS3 heaters do not require this kit.

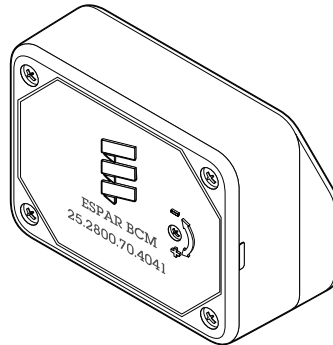
Adapter cable

For air pressure sensor diagnostics



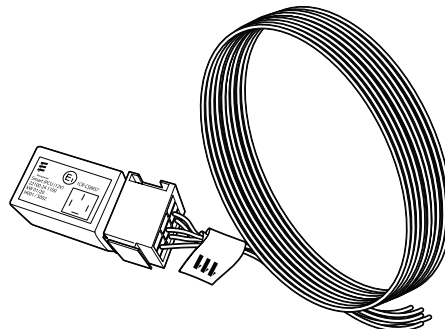
Blower control module 12/24 V - Heavy Duty (BCM)

For coolant heaters



Upgrade kit IPCU Smart 12 V (AD)

For coolant heaters



Airtronic	Airtronic M	Airtronic L	Air heater D8LC	Hydronic HS3 CS	Hydronic 16 / 24 / 30 / 35	Hydronic M-II	Part number
							22.1000.33.2200
							22.1000.33.3100
							25.2800.70.4041
							24.8800.00.0077

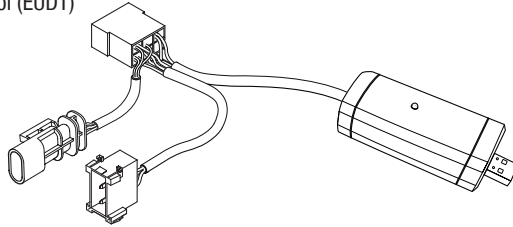
 unrestricted use ~ restricted use

- 1
- 1
- 2
- 3
- 4
- 5

TESTERS / ADAPTERS / SPECIAL TOOLS

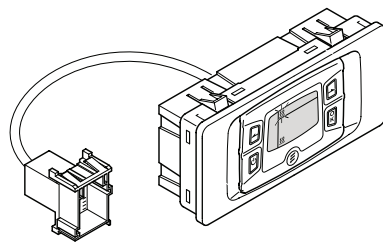
All adapters used with Diagnostic Unit and Edith

Eberspaecher Universal Diagnostic Tool (EUDT)



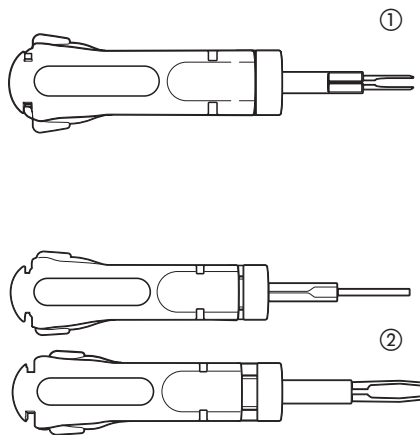
Airtronic	Airtronic M	Airtronic L	Air heater D8LC	Hydronic HS3 CS	Hydronic 16 / 24 / 30 / 35	Hydronic M-II	Part number
*	*			~		#	20.2800.70.1200

Diagnostic Fault Code Retriever



*	*			~			20.2900.70.5060
---	---	--	--	---	--	--	-----------------

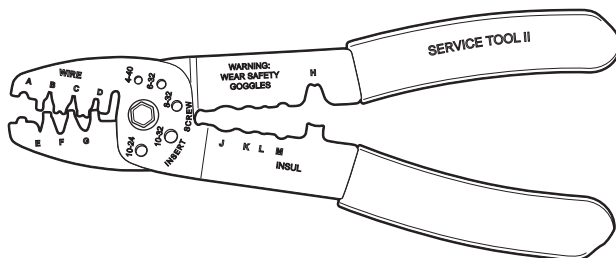
Terminal Removal Tool



1.6 mm
2.8 mm

				~			206 00 205 ① 206 00 215 ②
--	--	--	--	---	--	--	------------------------------

Wire Crimper



							5670003
--	--	--	--	--	--	--	---------

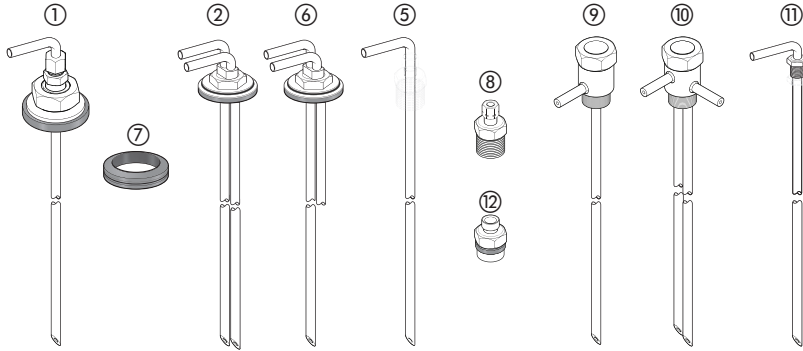
* For Airtronic 1 Only unrestricted use E E-Guardian # For frequent diagnostics, use EasyScan ~ For Hydronic II not HS3

PLEASE NOTE: The latest version of software (EDITH) must be downloaded from: partner.eberspaecher.com

- 1
- 1
- 2
- 3
- 4
- 5

FUEL SYSTEM

PLEASE NOTE: ■ Refer to Fuel System Guide on page 76, to help plan your fuel system.

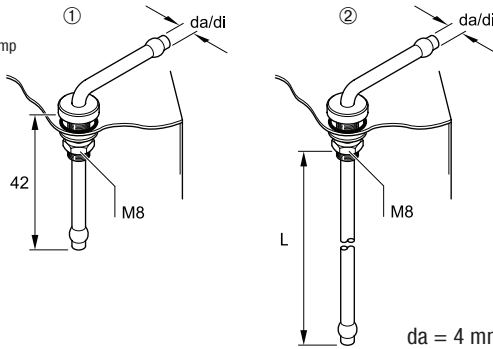


- Single Pick-up Pipe 2.0 mm Universal **RECOMMENDED** (Drill or 1/4" NPT fitting) (66 cm or 26")
- Single Pick-up Pipe 2.0 mm (66 cm or 26")
- Double Pick-up Pipe 2.0 mm (56 cm or 22")
- Fuel Pick-up pipe 2 mm W/FTNG (59.5 cm or 23.5") - Vent fitting 1/2" NPT
- Dual Vent Fuel Pick-up pipe 2.0 mm (61 cm or 26") - Vent fitting 1/2" 14 NPT
- Single Pick-Up Pipe 4.0 mm universal **RECOMMENDED** (Drill or 1/4" NPT fitting) (66 cm or 26")
- Single Pick-up Pipe 4.0 mm (41 cm or 15")
- Fuel Pick-up pipe 4 mm W/FTNG 19.5" - Vent fitting 1/2" NPT
- Single Pick-up Pipe 4.0 mm with Return (61 cm or 24")
- Compression Fitting 1/4" NPT
- Compression Fitting 3/8" NPT
- Compression Fitting 1/2" NPT
- Compression FTNG 3/4" NPT
- Compression FTNG 9/16" w/O-ring
- Rubber Seal Ring for Fuel Pick-up Pipe (48 cm or 18.8")
- Automotive Fuel Pick-up Assembly

Airtronic	Airtronic M	Airtronic L	Air heater D8LC	Hydronic HS3 CS	Hydronic 16 / 24 / 30 /35	Hydronic M-II	Part number
■	■	■	■	■	■	■	20.2900.20.2010 ①
■	■	■	■	■	■	■	20.2900.20.2042 ⑤
■	■	■	■	■	■	■	20.2900.20.2057 ②
■	■	■	■	■	■	■	20.2900.20.2004 ⑨
■	■	■	■	■	■	■	20.2900.20.2007 ⑩
■	■	■	■	■	■	■	20.2900.20.2050 ①
■	■	■	■	■	■	■	5520001 ⑤
■	■	■	■	■	■	■	20.2900.20.4006 ②
■	■	■	■	■	■	■	20.2900.20.2059 ④
■	■	■	■	■	■	■	20.2900.20.2044 ⑧
■	■	■	■	■	■	■	5520002 ⑧
■	■	■	■	■	■	■	5520006 ⑧
■	■	■	■	■	■	■	20.2900.20.2082 ⑧
■	■	■	■	■	■	■	5520007 ⑫
■	■	■	■	■	■	■	20.2900.20.2026 ⑦
■	■	■	■	■	■	■	22.1000.20.1100 ⑪
■	■	■	■	■	■	■	22.1000.20.1500 ①
■	■	■	■	■	■	■	22.1000.20.1600 ②
■	■	■	■	■	■	■	25.1226.89.4000

Tank connection

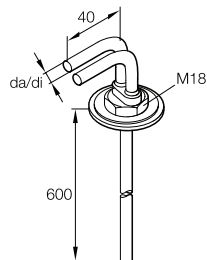
For cars with an inner tank pump



da = 4 mm, di = 2 mm
da = 4 mm, di = 2 mm, L = 295 mm

Tank connection with return

For commercial vehicles

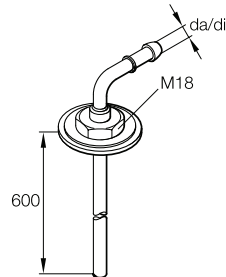


da = 6 mm, di = 4 mm

FUEL SYSTEM

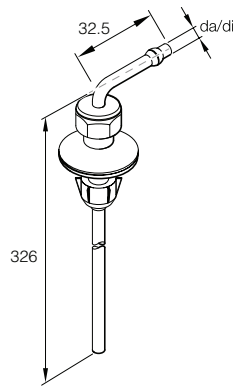
PLEASE NOTE: ■ Refer to Fuel System Guide on page 78, to help plan your fuel system.

Tank connection
For commercial vehicles



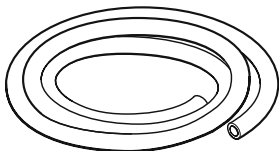
da = 6 mm, di = 2 mm

Tank connection EasyFix



da = 4 mm, di = 2 mm

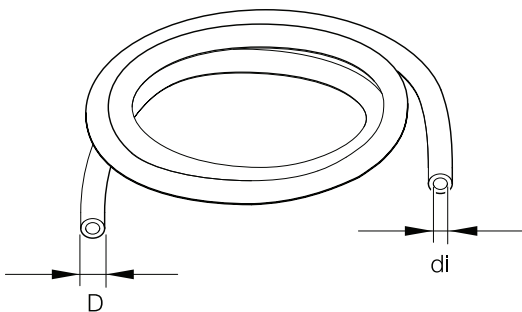
Fuel Lines



Black Rubber Fuel Line - ID = 3.5 mm per m
Black Rubber Fuel Line - ID = 5.0 mm per m

Fuel pipe (linear m)

Plastic



natural-colored, di = 1.5 mm x10.0m , D = 4 mm
 natural-colored, di = 1.5 mm x50.0m , D = 4 mm
 natural-colored, di = 1.5 mm x100.0m , D = 4 mm
 natural-colored, di = 1.5 mm x400.0m , D = 4 mm
 natural-colored, 2 mm x 0.8m , D = 4 mm
 natural-colored, 2 mm x 1.0m , D = 4 mm
 natural-colored, 2 mm x 1.7m , D = 4 mm
 natural-colored, 2 mm x 2.0m , D = 4 mm
 natural-colored, 2 mm x 3.0m , D = 4 mm
 natural-colored, 2 mm x 3.3m , D = 4 mm
 natural-colored, 2 mm x 4.3m , D = 4 mm
 natural-colored, 2 mm x 5.0m , D = 4 mm
 natural-colored, 2 mm x 6.0m , D = 4 mm
 natural-colored, 2 mm x 6.5m , D = 4 mm
 natural-colored, 2 mm x 8.0m , D = 4 mm
 natural-colored, 2 mm x 10.0m , D = 4 mm
 natural-colored, 2 mm x 50.0m , D = 4 mm
 natural-colored, 2 mm x 100.0m , D = 4 mm
 blue, di = 2 mm , D = 4 mm
 black, di = 2 mm , D = 6 mm
 blue, di = 4 mm , D = 6 mm

	Airtronic	Airtronic M	Airtronic L	Air heater D8LC	Hydronic HS3 CS	Hydronic 16 / 24 / 30 /35	Hydronic M-II	Part number
Tank connection	■	■	■		■			25.1226.89.5000
Tank connection EasyFix	■	■	■		■			22.1000.20.4500
Fuel Lines	■	■	■		■	■		360 75 300 360 75 350
Fuel pipe (linear m)	■	■	■		■	■		20.2900.20.0067 20.2900.20.0068 20.2900.20.0069 20.2900.20.0070 20.2900.20.0057 20.2900.20.0030 20.2900.20.0058 20.2900.20.0050 20.2900.20.0014 20.2900.20.0023 20.2900.20.0024 20.2900.20.0013 20.2900.20.0015 20.2900.20.0046 20.2900.20.0053 20.2900.20.0060 20.2900.20.0061 20.2900.20.0062 890 31 054 890 31 125 890 31 101

■ unrestricted use ~ restricted use

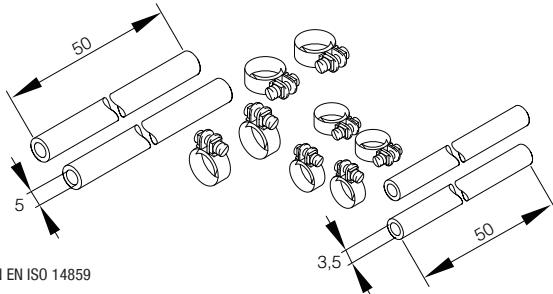
1
1
2
3
4
5

FUEL SYSTEM

PLEASE NOTE: ■ Refer to Fuel System Guide on page 78, to help plan your fuel system.

Fuel supply kit

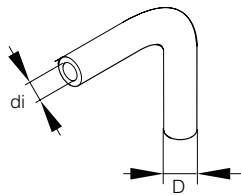
For installing fuel line
in boat engine compartments



Fire-resistant hose according to DIN EN ISO 14859

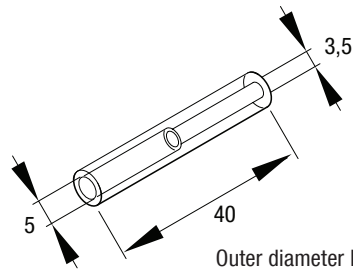
Fuel hose 105° elbow

PME-compatible



di = 3.5 mm, D = 9.5 mm

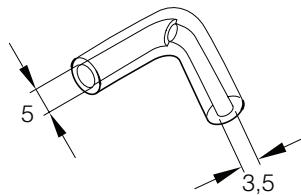
Fuel Line Adapter



Outer diameter D = 10, 3.5mm to 5mm

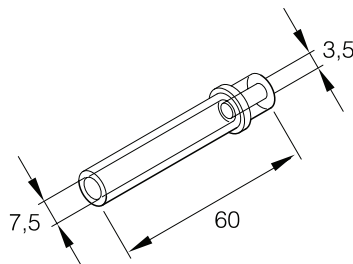
Adapter 105° elbow

PME-compatible



Outer diameter D = 10

Adapter for fuel pipes



Outer diameter D = 12

Airtronic	Airtronic M	Airtronic L	Air heater D8LC	Hydronic HS3 CS	Hydronic 16 / 24 / 30 / 35	Hydronic M-II	Part number
							22.1000.20.1000
							25.1888.80.0101
							25.1888.80.0102
							25.2110.05.0301
							22.1000.20.3000

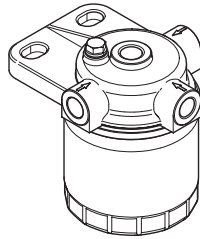
■ unrestricted use ~ restricted use

- 1
- 1
- 2
- 3
- 4
- 5

FUEL SYSTEM

PLEASE NOTE: ■ Refer to Fuel System Guide on page 78, to help plan your fuel system.

Fuel Filter



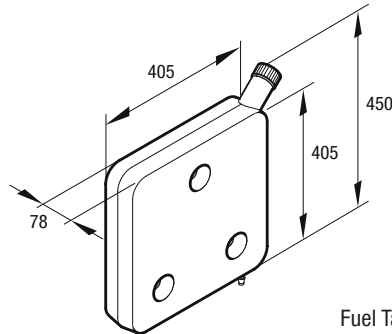
Fuel Filter

Clamp



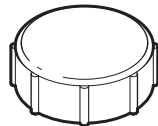
- 9 mm x 10 pc (used with 360 75 300)
- 9 mm x 50 pc (used with 360 75 300)
- 10 mm (used with 360 75 350)
- 11 mm x 10 pc (used with 360 75 350)
- 11 mm x 50 pc (used with 360 75 350)
- 12 mm
- 14 mm

Plastic Fuel Tank

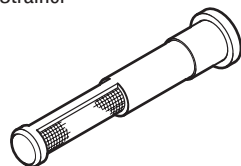


Fuel Tank (10L or 2.6 gal - Blue)

Plastic Cap



Complete fuel tank, 10 l - Single Part Fuel Strainer



Complete fuel tank, 10 L - Single Part Seal



	Airtronic	Airtronic M	Airtronic L	Air heater D8LC	Hydronic HS3 CS	Hydronic 16 / 24 / 30 /35	Hydronic M-II	Part number
Fuel Filter						■		25.2488.05.0100
Clamp	■	■	■	■	■	■	■	20.2900.20.0063
	■	■	■	■	■	■	■	20.2900.20.0064
	■	■	■	■	■	■	■	10.2068.01.0098
	■	■	■	■	■	■	■	20.2900.20.0065
	■	■	■	■	■	■	■	20.2900.20.0066
	■	■	■	■	■	■	■	10.2068.01.2098
	■	■	■	■	■	■	■	10.2068.01.4098
Plastic Fuel Tank								
Fuel Tank (10L or 2.6 gal - Blue)	■	■	■	■	■	■	■	22.1000.20.2800
Plastic Cap								
Plastic Cap	■	■	■	■	■	■	■	22.1000.20.2200
Complete fuel tank, 10 l - Single Part Fuel Strainer								
Complete fuel tank, 10 l - Single Part Fuel Strainer	~	~	~	~	~	~	~	22.1000.20.2803
Complete fuel tank, 10 L - Single Part Seal								
Complete fuel tank, 10 L - Single Part Seal	~	~	~	~	~	~	~	22.1000.20.2804

■ unrestricted use ~ restricted use

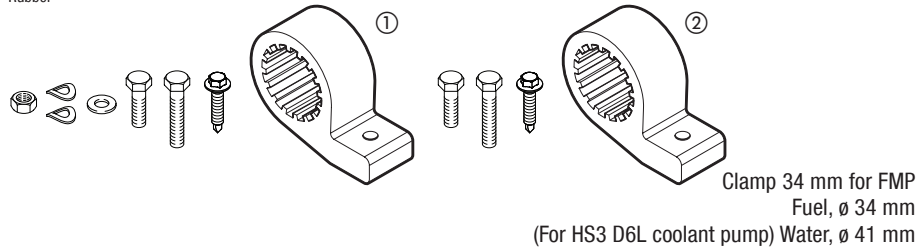
1
1
2
3
4
5

FUEL SYSTEM

PLEASE NOTE: ■ Refer to Fuel System Guide on page 78, to help plan your fuel system.

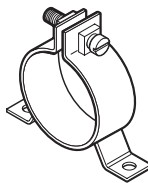
Mounting bracket for metering pump and Flowtronic Water Pump 800 S (see page 76)

Rubber

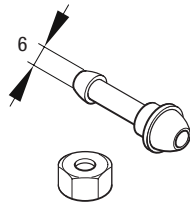


Airtronic	Airtronic M	Airtronic L	Air heater D8LC	Hydronic HS3 CS	Hydronic 16 / 24 / 30 / 35	Hydronic M-II	Part number
■	■	■	■	■	■	■	152 00 200
■	■	■	■	■	■	■	22.1000.50.0300 ①
■	■	■	■	■	■	■	22.1000.50.0700 ②
■	■	■	■	■	■	■	25.1156.20.0011
■	■	■	■	■	■	■	20.2900.20.2071
■	■	■	■	■	■	■	20.2900.40.0104
■	■	■	■	■	■	■	20.1634.80.0600

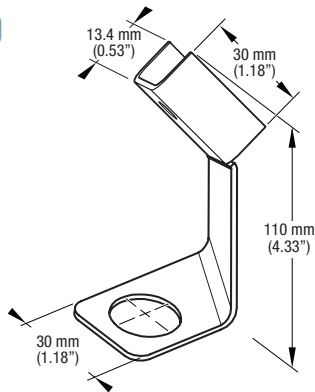
Fuel Metering Pump Holder



Fuel Connector Nipple and Nut

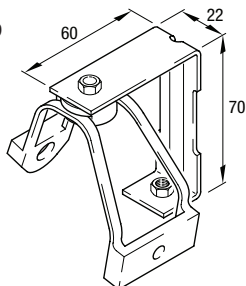


FMP Bracket **RECOMMENDED**



Mounting bracket for metering pump

For use with boats and camping vehicles
Recommended for mobile homes

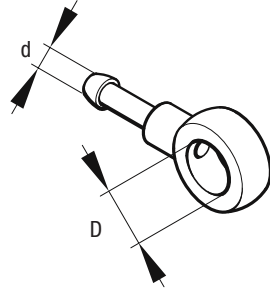


- 1
- 1
- 2
- 3
- 4
- 5

FUEL SYSTEM

PLEASE NOTE: ■ Refer to Fuel System Guide on page 78, to help plan your fuel system.

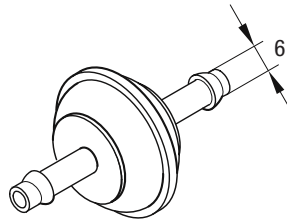
Banjo fitting



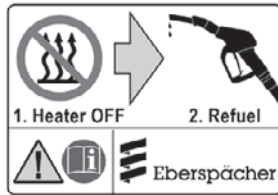
d = 5mm, D = 8mm

Plastic Fuel Filter with metal strainer

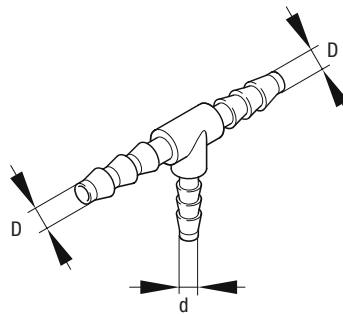
For metering pumps with cup strainer
Fuel filter suitable for use with fuel circulation pump only



Information Sticker



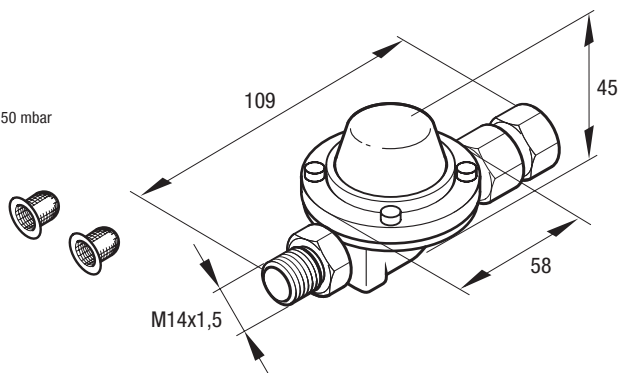
Fuel T-piece
Plastic



d = 4mm, D = 8mm
d = 6mm, D = 6mm

Pressure Reducer

with cup strainer and hose fitting
Input pressure 0.2 – 4 bar
Control pressure min. 50 mbar, max. 150 mbar



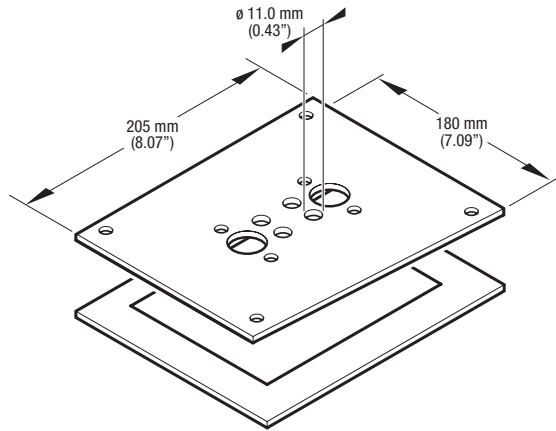
Airtronic	Airtronic M	Airtronic L	Air heater D8LC	Hydronic HS3 CS	Hydronic 16 / 24 / 30 / 35	Hydronic M-II	Part number
			■		■	■	25.1352.88.0005
						■	25.1226.89.0037
							25.2652.05.0001
~	~	~	~	~	~	~	262 31 155 262 31 150
							22.1000.20.0800

■ unrestricted use ~ restricted use

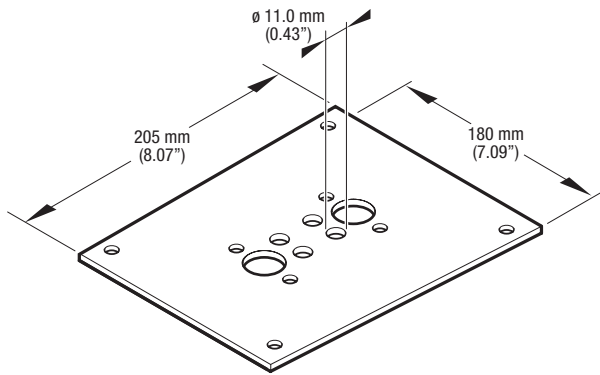
- 1
- 1
- 2
- 3
- 4
- 5

MOUNTING PARTS

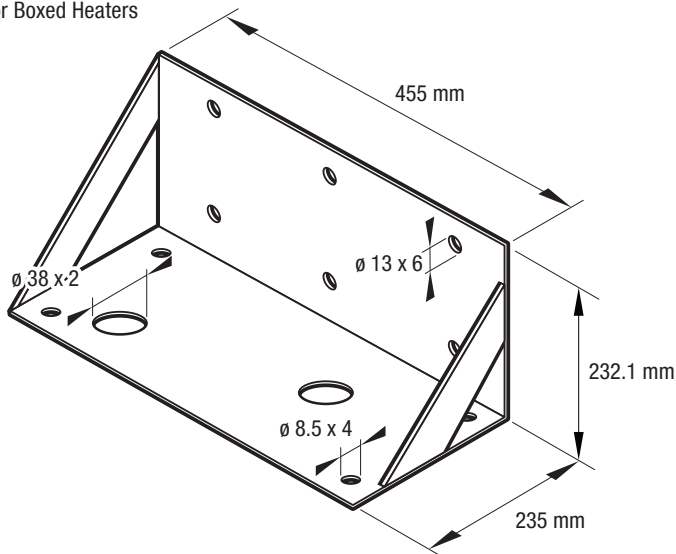
Mounting Plate with Seal



Mounting Plate



Side Frame Mounting Tray for Boxed Heaters

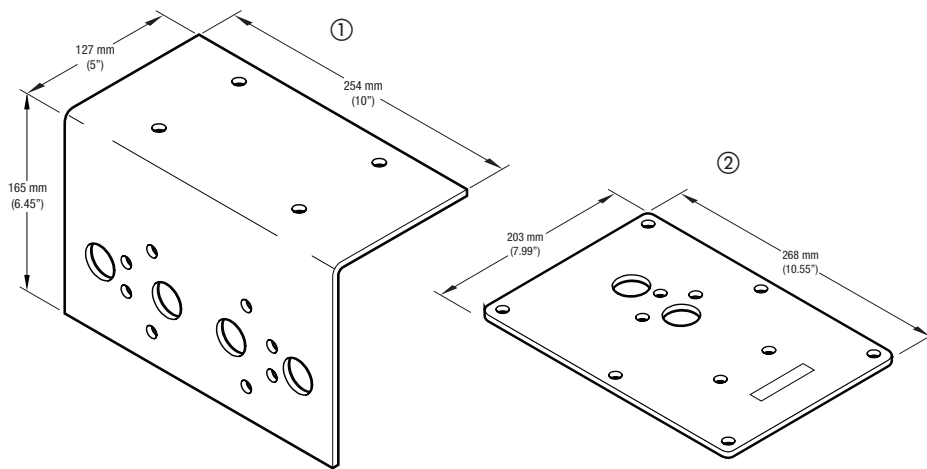


Airtronic	Airtronic M	Airtronic L	Air heater D8LC	Hydronic HS3 CS	Hydronic 16 / 24 / 30 / 35	Hydronic M-II	Part number
							5540001
							20.2900.40.0025
							E
							20.2900.40.0075

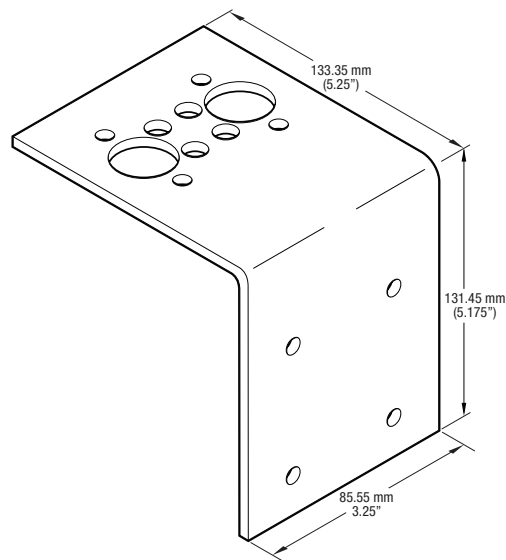
-
-
-
-
-

MOUNTING PARTS

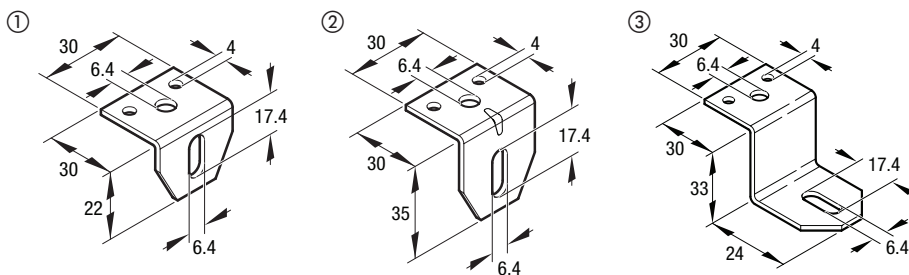
Angle Bracket for Airtronic D5



Mounting Bracket 90°



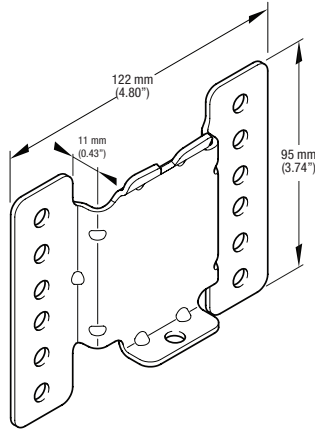
Metal Angle Bracket for Fuel Metering Pump



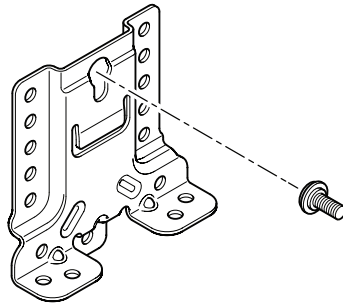
Airtronic	Airtronic M	Airtronic L	Air heater D8LC	Hydronic HS3 CS	Hydronic 16 / 24 / 30 / 35	Hydronic M-II	Part number
							20.2900.40.0023 ① 20.2800.40.0500 ②
							5540016
							20.1348.03.0002 ① 20.1348.03.0004 ② 20.1533.88.0007 ③

MOUNTING PARTS

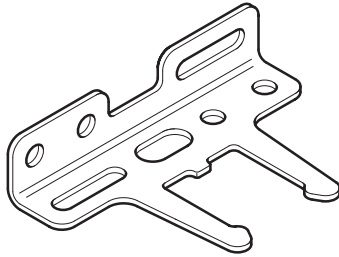
Mounting bracket for Hydronic S3 D5E



Mounting bracket for Hydronic II D5E



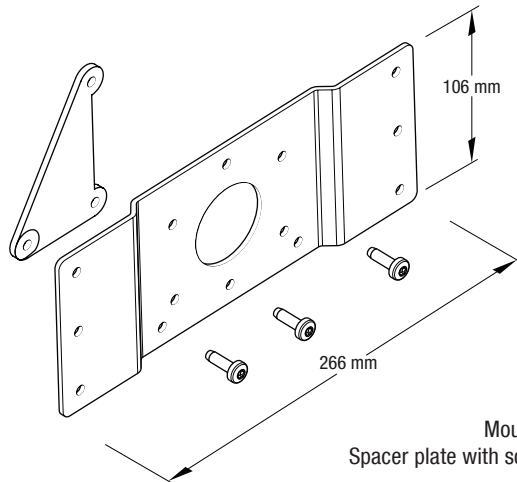
Water Pump Bracketed



① Special screw also required:
for Economy / Comfort 25 2526 80 01 01

NEW!

Mounting bracket for
Hydronic S3 Commercial (24 V)



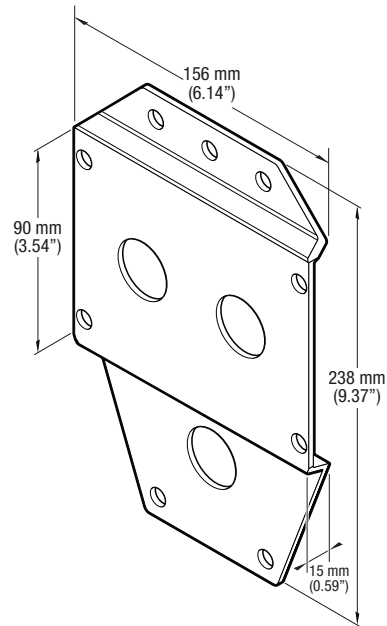
Mounting bracket
Spacer plate with screws M6×20

Airtronic	Airtronic M	Airtronic L	Air heater D8LC	Hydronic HS3 CS	Hydronic 16 / 24 / 30 /35	Hydronic M-II	Part number
							22.1000.51.4200
							22.1000.51.3700
							22.1000.51.3900
							22.1000.51.5000 22.9000.51.5100



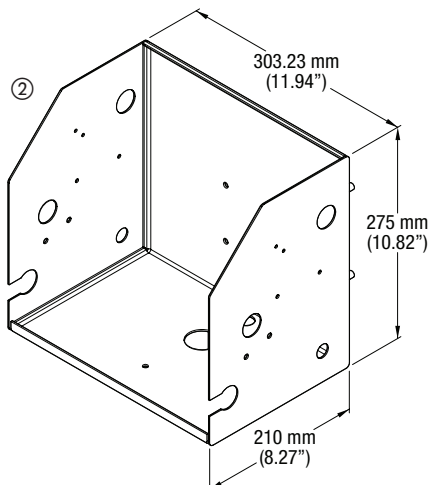
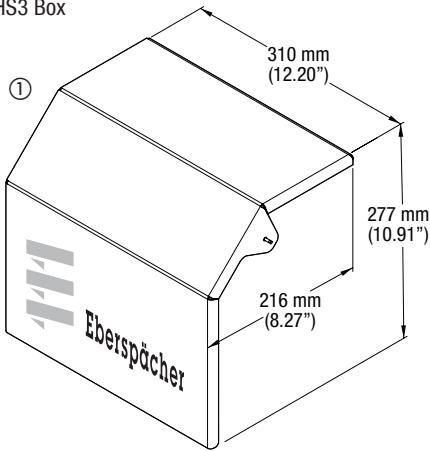
MOUNTING PARTS

Mounting Bracket



Airtronic	Airtronic M	Airtronic L	Air heater D8LC	Hydronic HS3 CS	Hydronic 16 / 24 / 30 /35	Hydronic M-II	Part number
							25.1816.80.0001

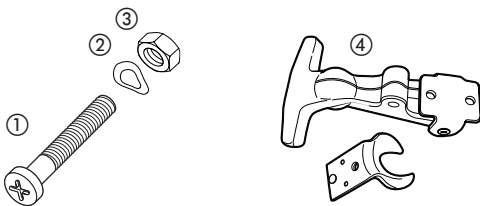
HS3 Box



HS3 Box Lid
HS3 Enclosure Base

							25.2800.40.0529 ① 25.2800.40.0528 ②
--	--	--	--	--	--	--	--

HS3 Box Screw, Nut & Washer

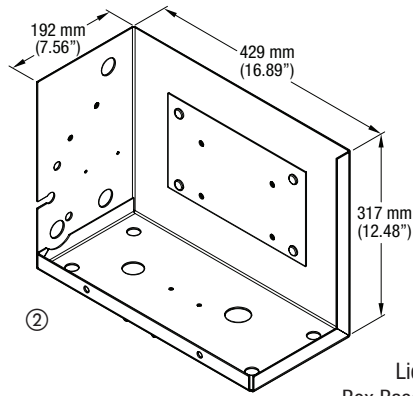
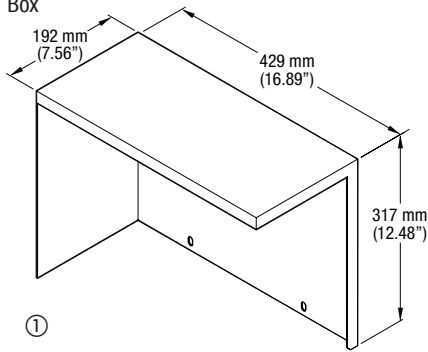


Screw, phil. head m3x10
M3 wave washer din137
Nut 3mm
Southco latches

							5590024 ① 5590117 ② 5590069 ③ 5520059 ④
--	--	--	--	--	--	--	--

MOUNTING PARTS

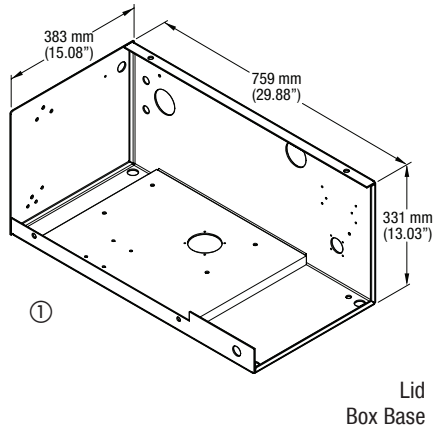
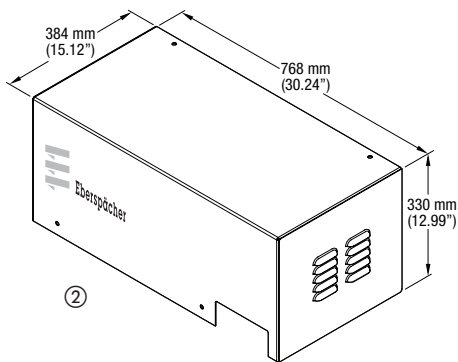
M-II Box



Lid
Box Base

Airtronic	Airtronic M	Airtronic L	Air heater D8LC	Hydronic HS3 CS	Hydronic 16 / 24 / 30 / 35	Hydronic M-II	Part number
							E 25.2800.40.1003 ①
							E 25.2800.40.1002 ②

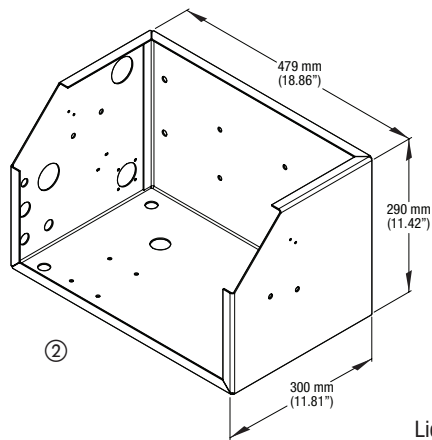
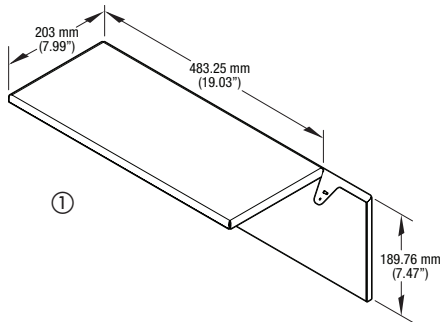
L2 Enclosure Lid



Lid
Box Base

Airtronic	Airtronic M	Airtronic L	Air heater D8LC	Hydronic HS3 CS	Hydronic 16 / 24 / 30 / 35	Hydronic M-II	Part number
							25.2800.40.1022 ②
							25.2800.40.1021 ①

M-II Box



Lid
Box Base

Airtronic	Airtronic M	Airtronic L	Air heater D8LC	Hydronic HS3 CS	Hydronic 16 / 24 / 30 / 35	Hydronic M-II	Part number
							25.2800.40.1026 ①
							25.2800.40.1025 ②

■ unrestricted use

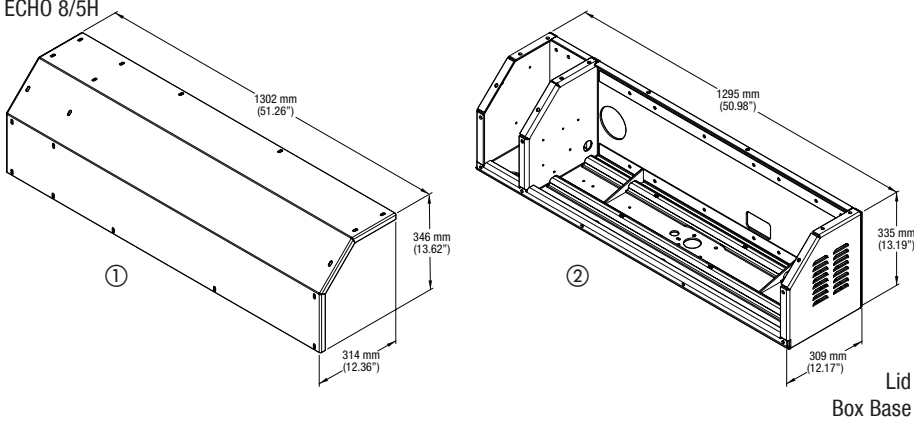
~ restricted use

■ E E-Guardian

- 1
- 1
- 2
- 3
- 4
- 5

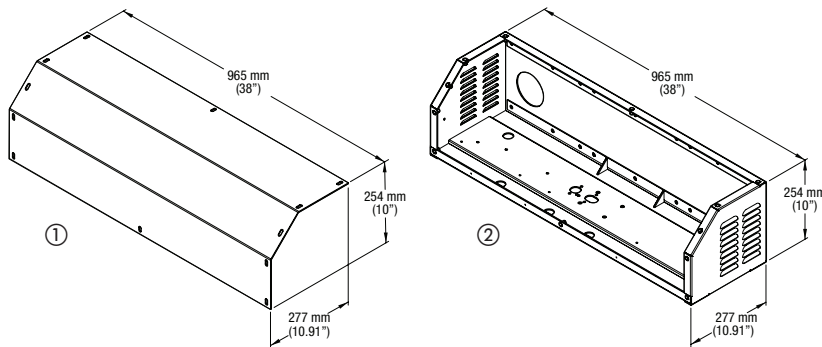
MOUNTING PARTS

ECHO 8/5H



Lid
Box Base

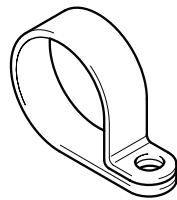
ECHO 5



Lid
Box Base

“C” Clamp

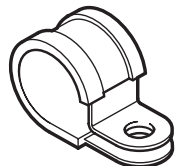
Galvanized



- ∅ 25 mm (for 22mm Exhaust/Air Intake)
- ∅ 28 mm x 10pc (for 24 mm Exhaust)
- ∅ 28 mm x 50pc (for 24 mm Exhaust)
- ∅ 34 mm (for 30 mm Exhaust)
- “C” Clamp 50 mm

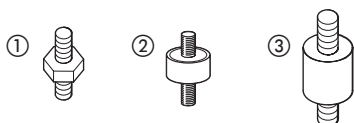
Do not use for flexible exhaust pipes!

Pipe clip with rubber inlay



∅ 10 mm)

Metal / Rubber Shock Mounts

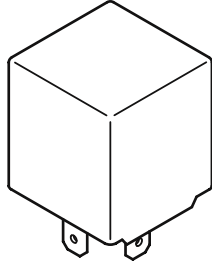


- 6mm H, Hex Body)
- 15mm H, Round Body, M8)
- 1inch H, Round Body, 5/16 x 18 NC

Airtronic	Airtronic M	Airtronic L	Air heater D8LC	Hydronic HS3 CS	Hydronic 16 / 24 / 30 / 35	Hydronic M-II	Part number
			■	■			20.2900.40.8002 ① 20.2900.40.8006 ②
			■	■			20.2900.40.0506 ① 20.2900.40.0502 ②
■	■	■	■	■	■	■	152 10 048 20.2900.90.0001 20.2900.90.0005 152 09 008 152 09 011
■	■	■	■	■	■	■	152 00 139
■	■	■	■	■	■	■	20.1185.00.0001 ① 330 09 002 ② 5540014 ③

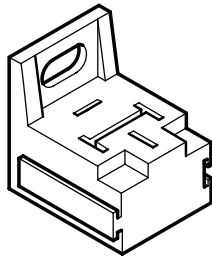
FUSE HOLDERS, FUSES, BREAKERS

Relay



Changeover contact Max. current consumption 40 A - 12v
24v Inc Diode

Base Relay 5 Pin

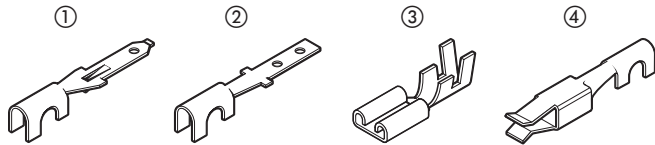


Airtronic	Airtronic M	Airtronic L	Air heater D8LC	Hydronic HS3 CS	Hydronic 16 / 24 / 30 /35	Hydronic M-II	Part number
~	~	~	~	~	~	~	203 00 097 203 00 066
							203 00 085

- 1
- 1
- 2
- 3
- 4
- 5

TERMINALS AND CONNECTORS

Terminals



- 10ga - 12ga Female, Tabs
- 14ga - 18ga Female, Tabs
- Mini Terminal, AWG 16-20
- 10ga - 12ga Male
- 14ga - 18ga Male
- Mini Terminal, AWG 16-20
- Mini Terminal, AWG 14-18
- Terminal 12033997L

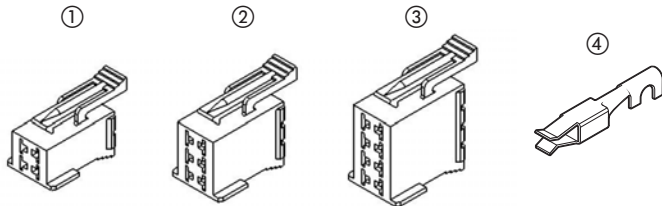
	Airtronic	Airtronic M	Airtronic L	Air heater D8LC	Hydronic HS3 CS	Hydronic 16 / 24 / 30 /35	Hydronic M-II	Part number
10ga - 12ga Female, Tabs	■	■	■	■	■	■	■	5670174 ③
14ga - 18ga Female, Tabs	■	■	■	■	■	■	■	5670394 ③
Mini Terminal, AWG 16-20	■	■	■	■	■	■	■	206 00 180 ④
10ga - 12ga Male	■	■	■	■	■	■	■	5670176 ①
14ga - 18ga Male	■	■	■	■	■	■	■	5670175 ①
Mini Terminal, AWG 16-20	■	■	■	■	■	■	■	206 36 018 ②
Mini Terminal, AWG 14-18	■	■	■	■	■	■	■	206 00 182 ④
Terminal 12033997L	■	■	■	■	■	■	■	5670199 ③
Terminal FE Faston - 18/22 AWG								5670395
Ring Terminal								(3/8") AWG 10-12 5670178
Plug and Socket Connector								206 00 040

■ unrestricted use ~ restricted use

- 1
- 1
- 2
- 3
- 4
- 5

TERMINALS AND CONNECTORS

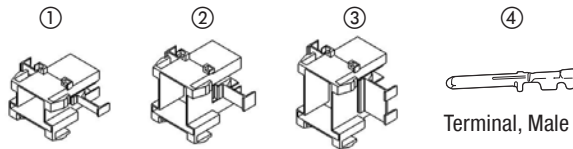
Socket Housing, Male



4 Pin
6 Pin
8 Pin
Terminal, Female AWG 16-20

	Airtronic	Airtronic M	Airtronic L	Air heater D8LC	Hydronic HS3 CS	Hydronic 16 / 24 / 30 /35	Hydronic M-II	Part number	
	■	■	■	■	■	■	■	206 31 296	①
	■	■	■	■	■	■	■	206 31 297	②
	■	■	■	■	■	■	■	206 31 298	③
	■	■	■	■	■	■	■	206 00 180	④

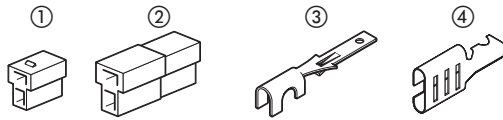
Socket Housing, Female



4 Pin
6 Pin
8 Pin
Terminal, Male AWG 16-20

	■	■	■	■	■	■	■	206 31 100	①
	■	■	■	■	■	■	■	206 31 106	②
	■	■	■	■	■	■	■	206 31 101	③
	■	■	■	■	■	■	■	206 36 018	④

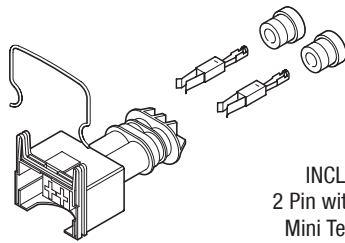
Socket Housing



Male 2 Pin "T"
Female 2 Pin "T"
Flat Term & Tab AWG 10-12 for 20631004
Terminal w/Tab 18-14 for 20600099

	■	■	■	■	■	■	■	206 00 099	①
	■	■	■	■	■	■	■	206 31 004	②
	~	~	~	~	~	~	~	5670176	③
	~	~	~	~	~	~	~	5670394	④

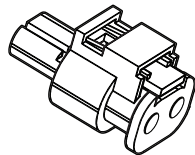
Fuel Metering Pump Housing Kit for metering pump, with contacts and seals



INCLUDES: terminals and seals.
2 Pin with Spring (FMP Connection)
Mini Terminal, Female AWG 16-20

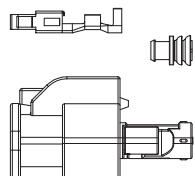
			■				■	22.1000.31.8700	
							■	206 31 290	
							■	206 00 180	

Housing 2W REC MCON 1.2 Ax2/HS3 FMP



							■	206 31 294	
--	--	--	--	--	--	--	---	------------	--

FMP Connector Kit for Hydronic S3 and Airtronic

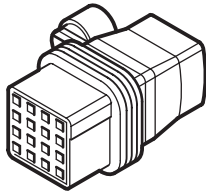


INCLUDES: terminals and seals.

	■	■			■			25.2800.90.0054	
--	---	---	--	--	---	--	--	-----------------	--

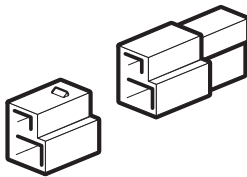
TERMINALS AND CONNECTORS

Hydronic M Square Connector



Socket Housing M Stribel Ctrl
Connector with pins

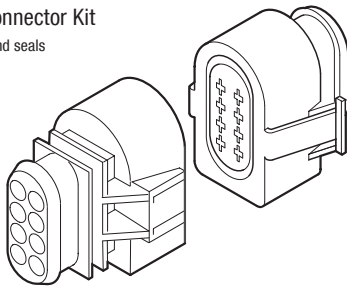
Socket Housing,



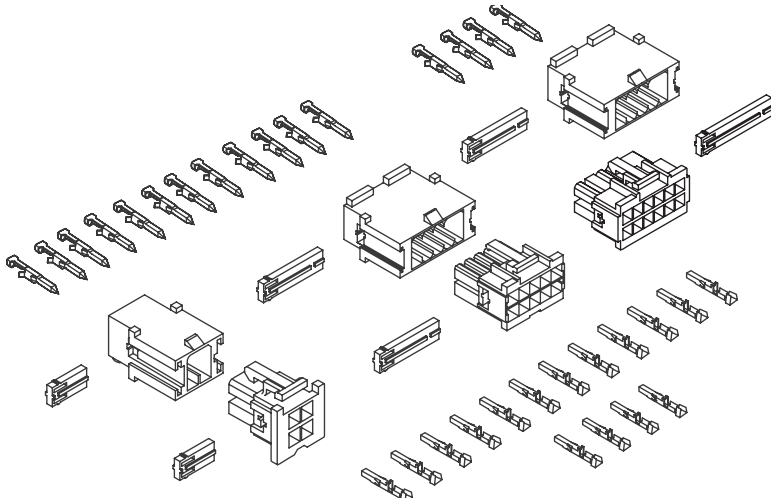
2 Pin with Spring (FMP Connection)
Mini Terminal, Female AWG 16-20
Socket Housing M Stribel Control
Plug for 206 31 319 Stribel

Hydronic 4/5 Main harness connector Kit

For the Hydronic D5S/SC, with contacts and seals



EasyStart Timer - Single part electrical connection



Airtronic	Airtronic M	Airtronic L	Air heater D8LC	Hydronic HS3 CS	Hydronic 16 / 24 / 30 /35	Hydronic M-II	Part number
							206 31 319 22.1000.31.9300
							206 31 290 206 00 180 206 31 319 206 75 042
				*			22.1000.30.1021
							22.1000.34.2600

* restricted use unrestricted use ~ restricted use

- 1
- 1
- 2
- 3
- 4
- 5

POWER CONVERTERS 12V TO 24V

Power Converter 12 - 24 480 W

5673601



1

1

2

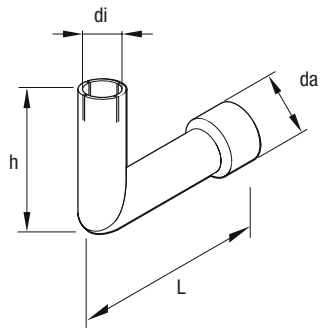
3

4

5

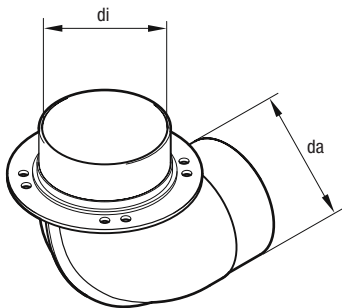
EXHAUST

Elbow



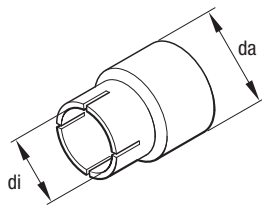
di = 24, da = 30 mm, h = 50 mm, L = 80 mm

Exhaust Elbow



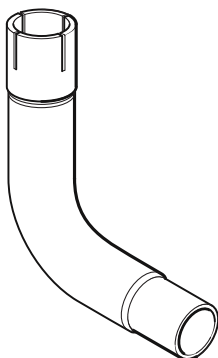
(with exhaust) di = 70 mm, da = 72 mm

Straight Exhaust Fitting



di = 24, da = 30 mm

Exhaust 90° adapter



di = 30 mm

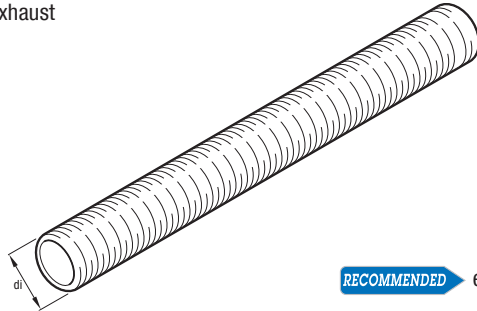
Airtronic	Airtronic M	Airtronic L	Air heater D8LC	Hydronic HS3 CS	Hydronic 16 / 24 / 30 / 35	Hydronic M-II	Part number
■	■	■		■			25.1226.89.5500
					■		22.1000.40.0300
■	■	■		■			25.1520.80.0101
						■	25.2800.30.1000

■ unrestricted use ~ restricted use

- 1
- 1
- 2
- 3
- 4
- 5

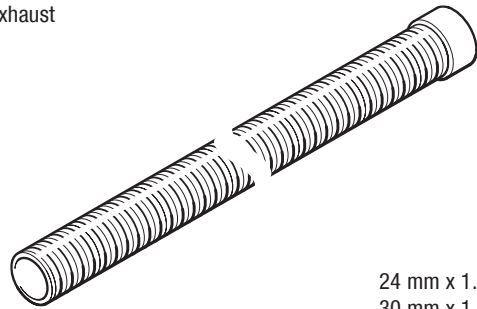
EXHAUST

Flexible Stainless Steel Exhaust



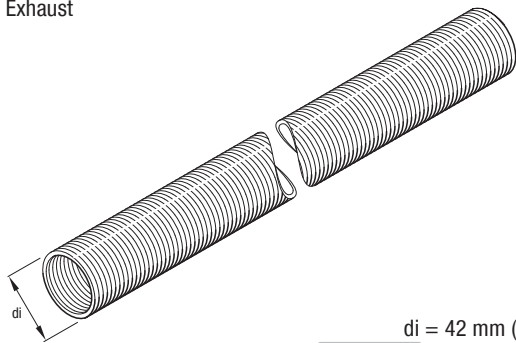
RECOMMENDED each - di = 24mm (1.3 mtr)

Flexible Stainless Steel Exhaust



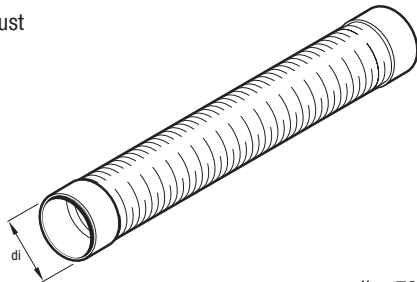
24 mm x 1.0 M with end cap - per mtr
30 mm x 1.3 M with end cap - per mtr

Flexible Stainless Steel Exhaust



RECOMMENDED di = 42 mm (direct connect) - per mtr
di = 24 mm (one layer) - per mtr
di = 24 mm (two layer) - per mtr
di = 30 mm (one layer) - per mtr
di = 30 mm (two layers) - per mtr

Flexible Stainless Steel Exhaust



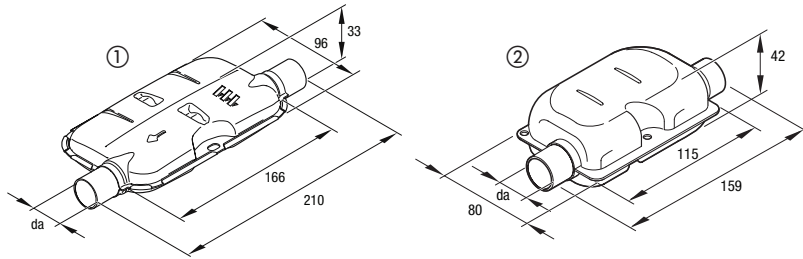
di = 70 mm (direct connect) - per mtr

Airtronic	Airtronic M	Airtronic L	Air heater D8LC	Hydronic HS3 CS	Hydronic 16 / 24 / 30 / 35	Hydronic M-II	Part number
							360 61 557
							25.1774.80.0200 25.1816.80.0800
							5530013 360 61 550 360 61 299 360 61 580 360 61 300
							5530015

- 1
- 1
- 2
- 3
- 4
- 5

EXHAUST

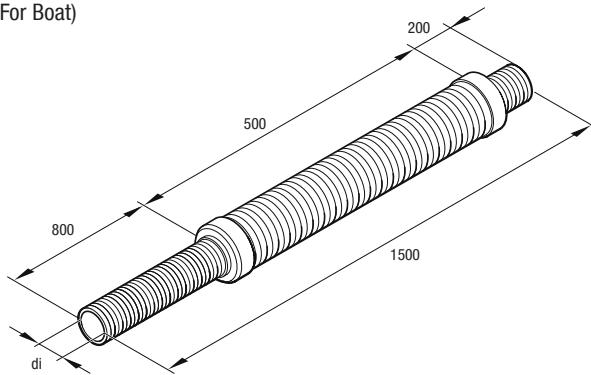
Exhaust Muffler



for 24mm (Slimmer-New)
for 24mm (Wider-Old)

Airtronic	Airtronic M	Airtronic L	Air heater D8LC	Hydronic HS3 CS	Hydronic 16 / 24 / 30 / 35	Hydronic M-II	Part number
							22.1000.40.0900 ①
							25.1864.81.0100 ②

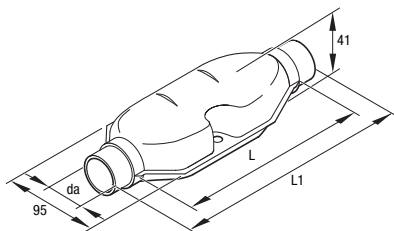
Exhaust Muffler (For Boat)



di = 30 mm

							25.1226.89.5800

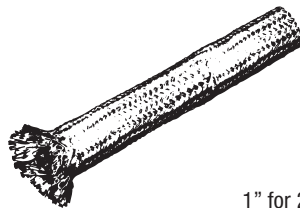
Exhaust Muffler



da = 30 mm

							25.1806.80.0100

Exhaust Insulation Sock

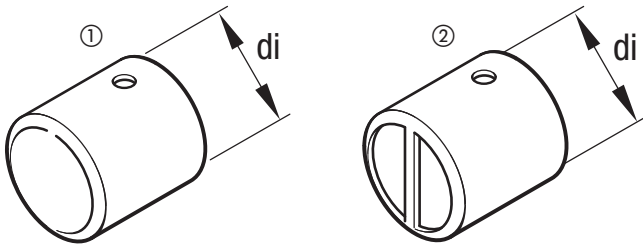


1" for 22 mm-24 mm, ID Exhaust - per mtr
2" for 24 mm-42 mm, ID Exhaust - per mtr
3" for 70 mm, ID Exhaust - per mtr

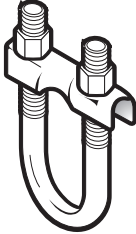
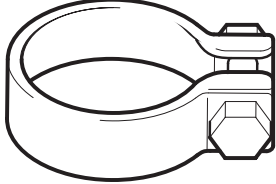
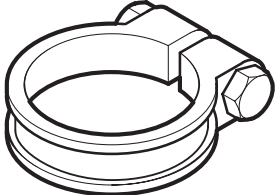
							5530001
							5530002
							5530003

EXHAUST

Exhaust End Cap with Crossbar



di = 24 mm
 di = 30 mm
 di = 42 mm
 di = 24 mm

	Airtronic	Airtronic M	Airtronic L	Air heater D8LC	Hydronic HS3 CS	Hydronic 16 / 24 / 30 / 35	Hydronic M-II	Part number
di = 24 mm	■	■	■		■			25.1482.80.0001 ①
di = 30 mm							■	25.1785.80.0200 ①
di = 42 mm				■				22.1000.40.0200 ①
di = 24 mm	■	■	■		■			20.2900.30.2400 ②
Exhaust Clamp for								
								
ø 70 mm							■	5530004
Clamp for Exhaust Pipe								
								
ø 31 mm - ø 34 mm ø 26 mm	■	■	■		■			22.1000.51.4500 152 61 102
Clamp for Exhaust Pipe								
								
ø 42 mm - ø 45 mm				■				152 09 004

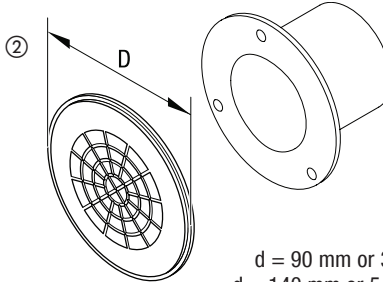
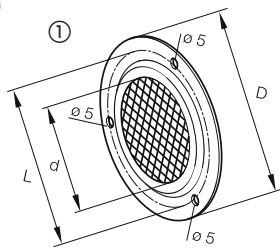
■ unrestricted use ~ restricted use

- 1
- 1
- 2
- 3
- 4
- 5

DUCTING

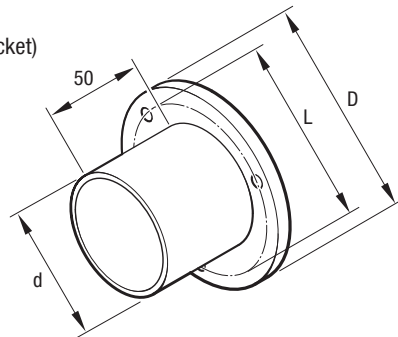
PLEASE NOTE: ■ Air ducting is critical to the performance of your heater - for information on how to layout a system and measure restriction values see the Rating Guide on page 79

1 Grill (Inlet & Outlet)



d = 90 mm or 3.5"
 d = 140 mm or 5.25"
 D = 93 mm (3.6"), L = 75 mm (3") d = 60 mm (2.4")
 Nickel Plated Open Screen (d = 140 mm or 5.25")

2 Ducting Flange (Connecting Socket)

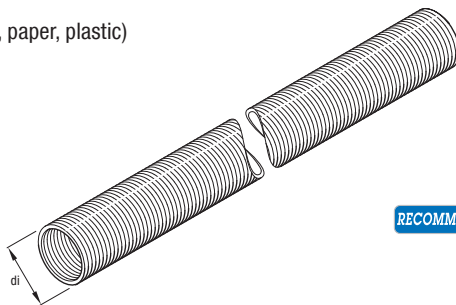


* D = 93 mm

~ = Check connection diameter

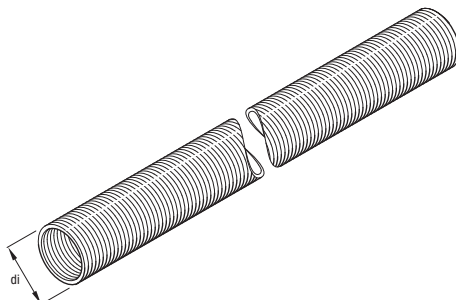
for Duct Size 50 mm (2")
 for Duct Size 60 mm (2.4")
 for Duct Size 90 mm (3.5")
 for Duct Size 100 mm (4")

3 Flexible Air Hose (aluminum, paper, plastic)



di = 50mm (2")
 di = 60mm (2.4")
 di = 75mm (3")
 di = 90mm (3.5")
 di = 100mm (4")

3.1 Flexible Hose



di = 75 mm (3")
 di = 100 mm (4")

Airtronic	Airtronic M	Airtronic L	Air heater D8LC	Hydronic HS3 CS	Hydronic 16 / 24 / 30 / 35	Hydronic M-II	Part number
■	■	■	■				20.1465.89.0500 ①
■	■	■	■				25.1729.89.0005 ②
■	■	■	■				22.1000.01.0001 ②
■	■	■	■				25.1226.89.0500 ①
■	■	~	~				20.1575.80.0801
■	~	~	~				20.1577.89.0601
■	~	~	~				20.1297.00.0001
■	~	~	~				25.1226.89.0040
~	~	~	~				10.2114.29.0000
■	~	~	~				10.2114.31.0000
■	~	~	~				10.2114.34.0000
■	~	~	~				10.2114.37.0000
■	~	~	~				10.2114.38.0000
■	~	~	~				5550007
■	~	~	~				5550008

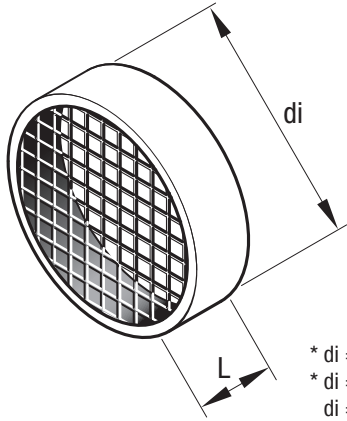
■ unrestricted use ~ restricted use

1
2
3
4
5

DUCTING

PLEASE NOTE: ■ *Air ducting is critical to the performance of your heater - for information on how to layout a system and measure restriction values see the Rating Guide on page 79*

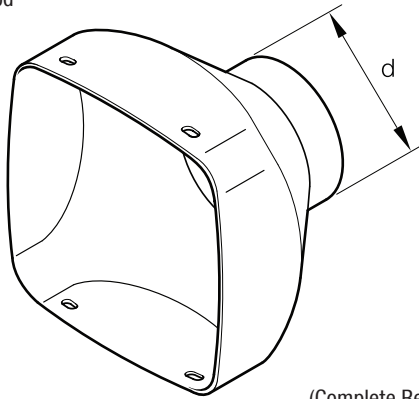
4.1 Protective Grill (Heater)



* di = 60 mm, L = 20 mm (di=2.4", L= 0.77")
 * di = 75 mm, L = 22 mm (di=3", L= 0.87")
 di = 90 mm, L = 24 mm (di=3.5", L= 0.95")
 di = 100 mm, L = 22 mm (di=3.9", L= 0.87")

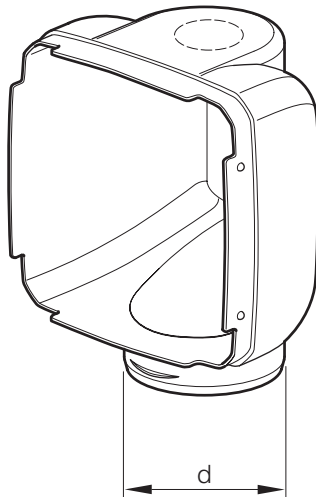
~ = Check connection diameter

5 Straight Air Outlet Hood



d = 60 mm (2.4")
 d = 75 mm (3")
 d = 75 mm (3")
 d = 90 mm (3.5")
 (Complete Rear Air Outlet Hood) d = 90 mm (3.5")

6 Ball-shaped scoop



d = 60 mm (2.4") Outlet
 d = 75 mm (3") Outlet
 d = 90 mm (3.5") Outlet
 d = 75 mm (3")

Airtronic	Airtronic M	Airtronic L	Air heater D8LC	Hydronic HS3 CS	Hydronic 16 / 24 / 30 / 35	Hydronic M-II	Part number
■	■						25.1688.80.0600
■	■						25.1552.05.0100
	■	■					25.1729.80.0001
			■				25.1226.89.4400
■	■						22.1000.01.0016
■	■						22.1000.01.0017
	■	■					22.1000.01.0018
	■						22.1000.01.0019
		■					25.1729.01.0900
■	■						22.1000.01.0020
	■						22.1000.01.0022
		■					22.1000.01.0023
		■					22.1000.01.0028

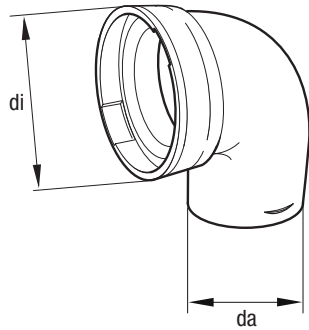
■ unrestricted use ~ restricted use

- 1
- 1
- 2
- 3
- 4
- 5

DUCTING

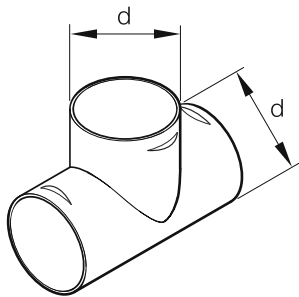
PLEASE NOTE: ■ Air ducting is critical to the performance of your heater - for information on how to layout a system and measure restriction values see the Rating Guide on page 79

7
90° Bend,
Plastic Elbow



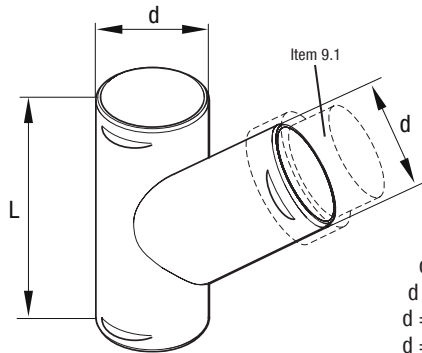
di = 60 mm (2.4"), da = 60 mm (2.4")
di = 75 mm (3"), da = 75 mm (3")

8
Plastic "T" Piece



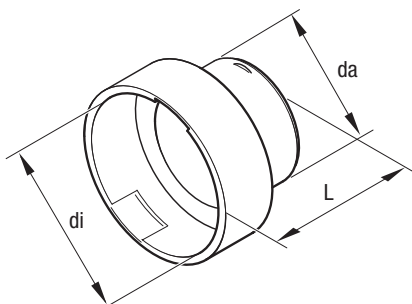
d = 60 mm (2.4")
d = 75 mm (3")
d = 90 mm (3.5")

9
45° Plastic "Y" Connector



d = 75 mm (3"), L = 175 mm
d = 100 mm (4"), L = 230 mm
d = 60 mm (2.4"), L = 145 mm
d = 90 mm (3.5"), L = 180 mm

9.1
Plastic Reducer for "Y" or Ducting Union



di = 90 mm (3.5"), da = 75 mm (3"), L = 45 mm
di = 75 mm (3"), da = 50 mm (2"), L = 50 mm
di = 100 mm (4"), da = 75 mm (3"), L = 50 mm
di = 100 mm (4"), da = 50 mm (2"), L = 62 mm
di = 75 mm (3"), da = 60 mm (2.4"), L = 45 mm

Airtronic	Airtronic M	Airtronic L	Air heater D8LC	Hydronic HS3 CS	Hydronic 16 / 24 / 30 / 35	Hydronic M-II	Part number
■	■						25.1688.89.0001 25.1482.89.0005
■	■						25.1688.89.0002 22.1000.01.0027 22.1000.01.0026
■	■	~	~	~			25.1226.89.0044 25.1226.89.0045 25.1774.89.0005 22.1000.01.0021
~	■	~	~	~			22.1000.01.0012 25.1226.89.0046 25.1226.89.0047 25.1226.89.0048 25.1226.89.0050

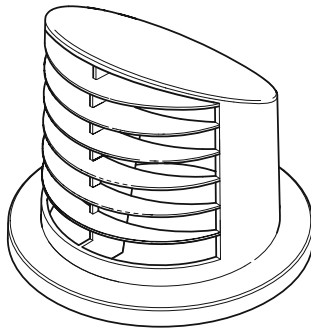
■ unrestricted use ~ restricted use

- 1
- 1
- 2
- 3
- 4
- 5

DUCTING

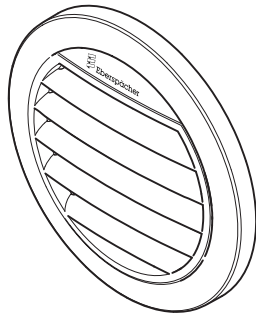
PLEASE NOTE: ■ *Air ducting is critical to the performance of your heater - for information on how to layout a system and measure restriction values see the Rating Guide on page 79*

13
90° Upright Vent
 (Rotatable)



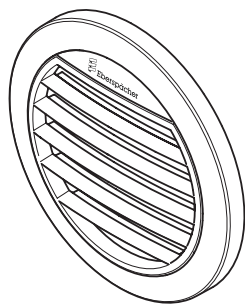
Suitable for ø 50/60 mm fitting, black
 Suitable for ø 75/90 mm fitting, black

14
30° Outlet Screen (Flat)
 Rotatable, see Item 4 for fitting



Suitable for ø 50/60 mm fitting, black)
 Suitable for ø 75/90 mm fitting, black)

14.1
0° Outlet Screen (Flat)
 (For 75/90mm flange)



Suitable for 75/90 mm fitting, black)

Airtronic	Airtronic M	Airtronic L	Air heater D8LC	Hydronic HS3 CS	Hydronic 16 / 24 / 30 / 35	Hydronic M-II	Part number
■	~	~					22.1000.01.0064 22.1000.01.0068
■	■	~					22.1000.01.0044 22.1000.01.0052
■	■	■					22.1000.01.0048

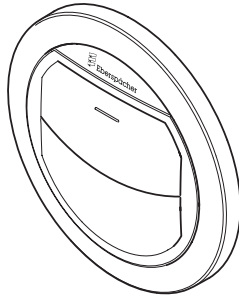
■ unrestricted use ~ restricted use

- 1
- 1
- 2
- 3
- 4
- 5

DUCTING

PLEASE NOTE: ■ *Air ducting is critical to the performance of your heater - for information on how to layout a system and measure restriction values see the Rating Guide on page 79*

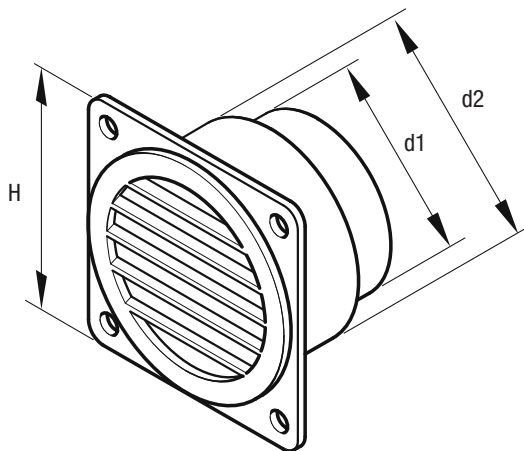
15
Outlet Screen Closable
 Rotatable, see Ducting Flange
 (Plastic) for fitting



Suitable for \varnothing 50/60 mm fitting, black
 Suitable for \varnothing 75/90 mm fitting, black

Airtronic	Airtronic M	Airtronic L	Air heater D8LC	Hydronic HS3 CS	Hydronic 16 / 24 / 30 / 35	Hydronic M-II	Part number
■	■		~				22.1000.01.0072
■		■					22.1000.01.0076

16
Outlet Vent with Flange
 (Rotatable)

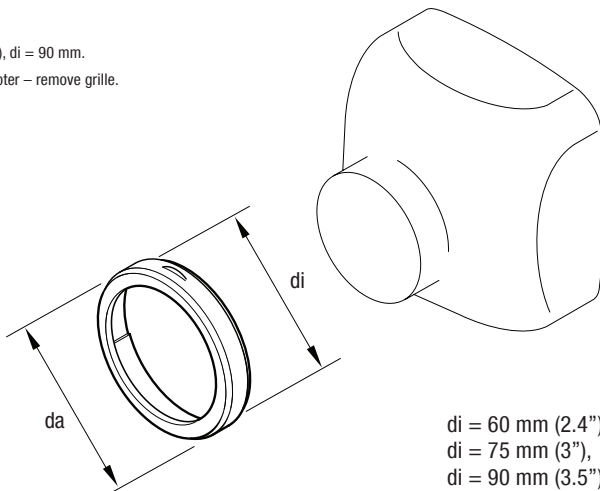


$d1 = 90$ mm (3.5"), $d2 = 100$ mm (4"), $H = 110$ mm
 $d1 = 75$ mm (3"), $d2 = 100$ mm (4"), $H = 110$ mm

	■	■	~				20.1609.80.0900
	■	■					22.1050.89.2100

17
Adapter Ring

Protective grille (Item 4), $d_i = 90$ mm.
 Can be used as an adapter – remove grille.



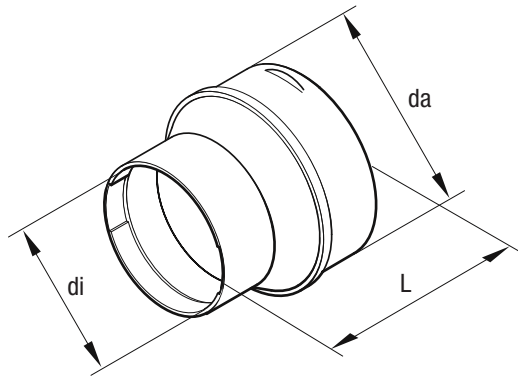
$d_i = 60$ mm (2.4"), $d_a = 75$ mm (3")
 $d_i = 75$ mm (3"), $d_a = 90$ mm (3.5")
 $d_i = 90$ mm (3.5"), $d_a = 100$ mm (4")

	■						22.1000.01.0008
	■	■					25.1822.89.0001
		■					20.1607.80.0001

DUCTING

PLEASE NOTE: ■ *Air ducting is critical to the performance of your heater - for information on how to layout a system and measure restriction values see the Rating Guide on page 79*

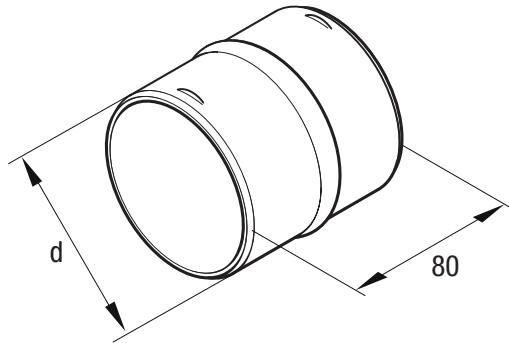
17
Plastic Reducer



~ = Check connection diameter

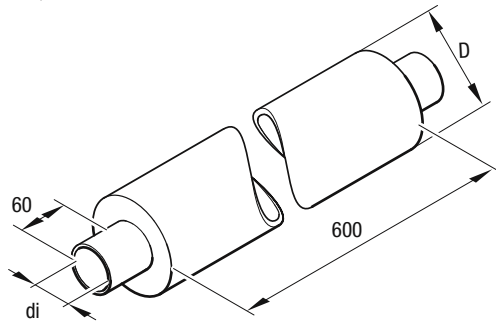
di = 60 mm (2.4"), da = 75 mm (3"), L = 40.5 mm

18
Ducting Union, straight



d = 60 mm (2.4")
d = 75 mm (3")
d = 90 mm (3.5")
d = 100 mm (4")

19
Air Silencer (Inlet & Outlet Duct)
Hot air, aluminum



~ = Check connection diameter

di = 75 mm, D = 120 mm
di = 100 mm, D = 150 mm

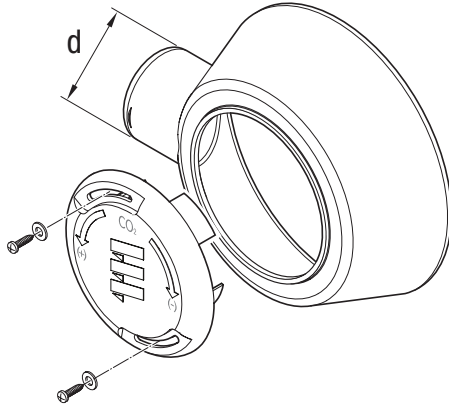
Airtronic	Airtronic M	Airtronic L	Air heater D8LC	Hydronic HS3 CS	Hydronic 16 / 24 / 30 / 35	Hydronic M-II	Part number
■	~						25.1688.89.0010
■	~	~	~				22.1000.01.0005
~	~	~	~				22.1000.01.0006
~	~	~	~				22.1000.01.0024
~	~	~	~				22.1000.01.0007
■	■						25.1226.89.1500
~	~	~	~				25.1226.89.5600



DUCTING

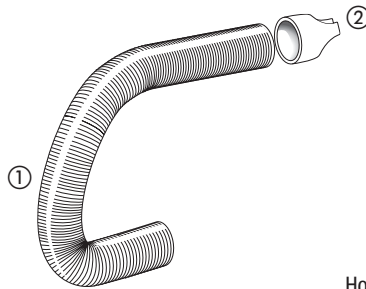
PLEASE NOTE: ■ Air ducting is critical to the performance of your heater - for information on how to layout a system and measure restriction values see the Rating Guide on page 81

Air Intake Hood



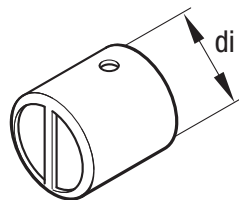
d = 60, mm (2.4")

Combustion Air Intake Flex Hose



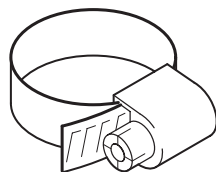
per mtr, ID = 25 mm
 per mtr, ID = 30 mm
 End Cap
 Hose Comb. Air - 25mm (1m)
 Hose - 20mm APK Comb Air (1m)

Plastic Air Intake End Cap with Crossbar



di = 20 mm
 di = 25 mm

Ducting Clamp



32-50 mm
 33-57 mm

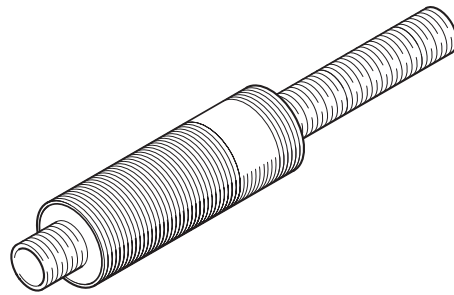
Airtronic	Airtronic M	Airtronic L	Air heater D8LC	Hydronic HS3 CS	Hydronic 16 / 24 / 30 /35	Hydronic M-II	Part number
							22.1000.40.0600
							10.2114.21.0000 ①
							10.2114.25.0000
							25.1480.89.0400 ②
							360 00 006
							360 00 099
							25.1688.80.1201
							25.1729.89.0002
							10.2067.03.2050
							5550001

■ unrestricted use ~ restricted use

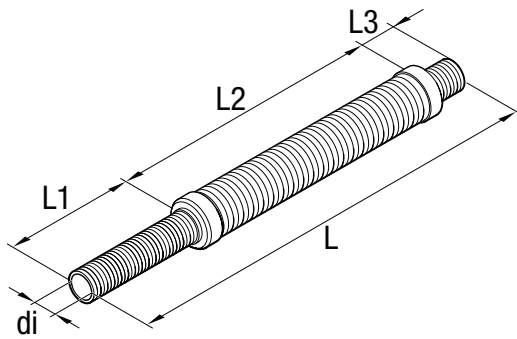
- 1
- 1
- 2
- 3
- 4
- 5

INTAKE (COMBUSTION AIR)

Intake Silencer

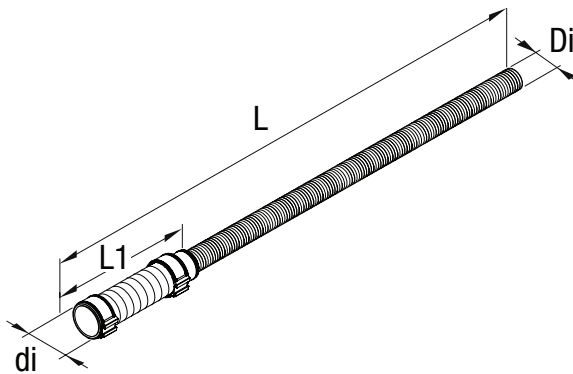


Air Int Muffler w/End Cap



di = 25 mm, L1 = 90 mm, L2 = 300 mm, L3 = 40 mm, L = 430 mm

Combustion Airt Intake 410mm



Di = 20 mm, di = 38 mm, L1 = 160 mm, L = 760 mm

Airtronic	Airtronic M	Airtronic L	Air heater D8LC	Hydronic HS3 CS	Hydronic 16 / 24 / 30 / 35	Hydronic M-II	Part number
							20.1609.80.0400
							25.1786.80.0200
							22.1000.40.0010

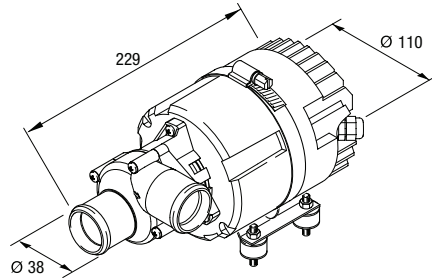
 unrestricted use ~ restricted use

-
-
-
-
-

COOLANT PUMPS

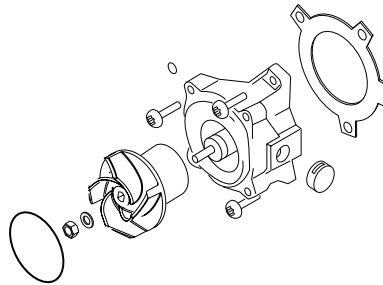
Flowtronic 6000 SC water pump

With magnetic coupling and mounting bracket
Water flow rate 6,000 l / h at 0.4 bar



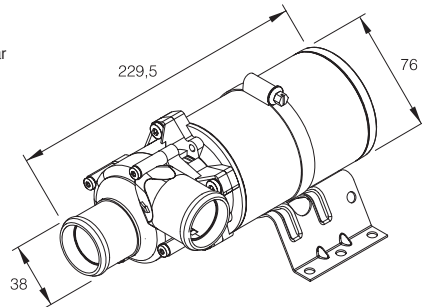
24 V

Flowtronic 6000 SC spares kit



Flowtronic 5000 water pump

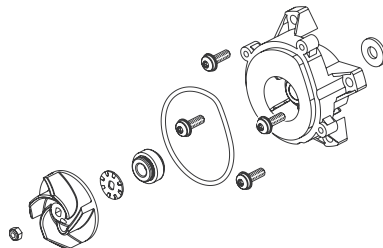
With mounting bracket, water flow rate 5,200 l / h at 0.2 bar



24 V

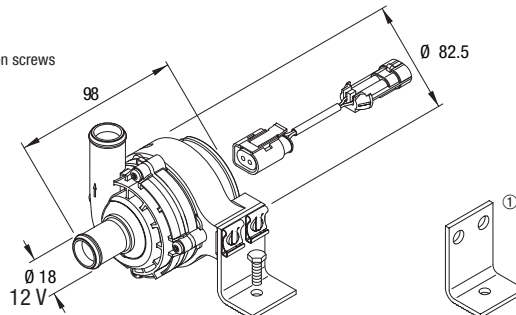
Flowtronic 5000 spares kit

For water pump 25.2488.26.0000



Water pump

with mounting bracket installed, adapter cable, M6x12 hexagon screws
Water flow rate 850 l / h at 0.1 ba



① Mounting bracket for water pump 25.2217.27.0000

Airtronic	Airtronic M	Airtronic L	Air heater D8LC	Hydronic HS3 CS	Hydronic 16 / 24 / 30 / 35	Hydronic M-II	Part number
							25.2488.25.0000
							25.2488.99.2510
							25 2488 26 00 00
							25.2488.99.2610
							25.2217.27.0000

unrestricted use ~ restricted use

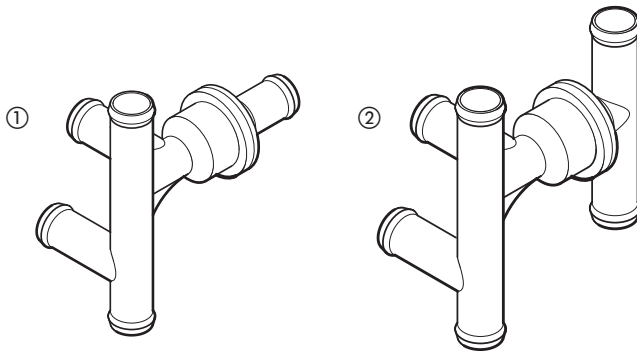
- 1
- 1
- 2
- 3
- 4
- 5

PLUMBING

Valve with Thermostat

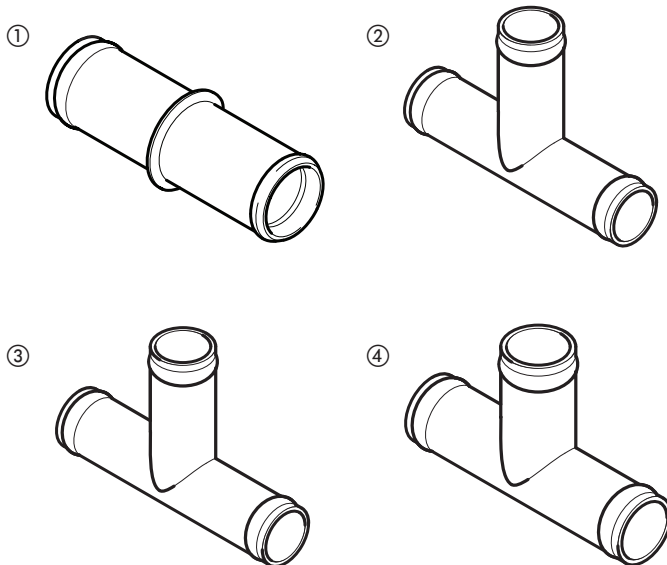
Not suitable for Hydronic 2 Comfort

1 Also required: T-piece



20 mm, 5 Way Valve with Thermostat
20 mm, 6 Way Valve with Thermostat

Water Fitting 18 mm

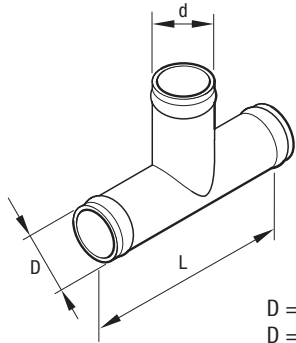


Fitting 18
T-piece 18 - 18 - 18
T-piece 18 - 20 - 18
T-piece 20 - 20 - 20

Airtronic	Airtronic M	Airtronic L	Air heater D8LC	Hydronic HS3 CS	Hydronic 16 / 24 / 30 / 35	Hydronic M-II	Part number
				~	~		25.2014.80.7200
				~	~		25.2014.80.6200
				~	~		22.1000.10.2500 ①
				~	~		22.1000.10.2100 ②
				~	~		22.1000.10.2300 ③
				~	~		22.1000.10.2200 ④

PLUMBING

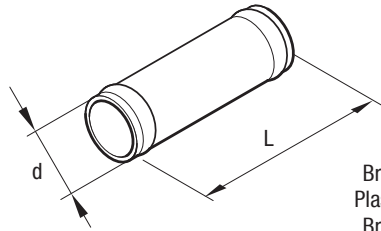
T-piece
Brass



D = 18 mm, d = 15 mm, L = 60 mm
D = 20 mm, d = 20 mm, L = 75 mm

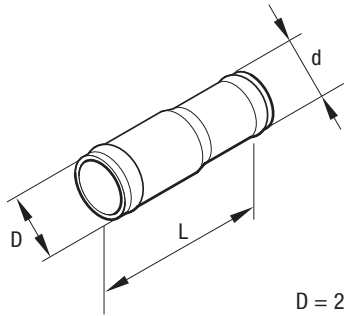
~ = Check connection diameter

Connection Pipe



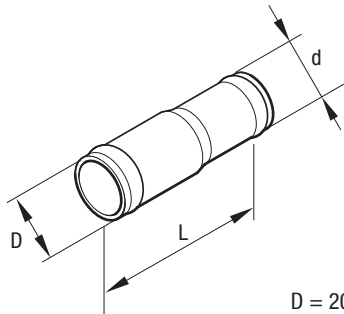
Brass, d = 18 mm, L = 55 mm
Plastic, d = 20 mm, L = 60 mm
Brass, d = 22 mm, L = 55 mm

Brass Reducer



D = 20 mm, d = 18 mm L = 60 mm

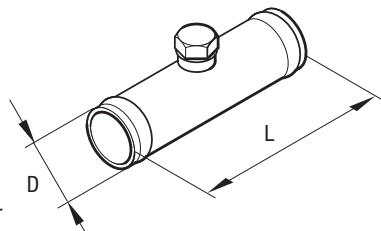
Plastic Reducer



D = 20 mm, d = 18 mm, L = 60 mm

Ventilation Pipe

Brass



D = 18 mm, L = 65 mm

~ = Check connection diameter

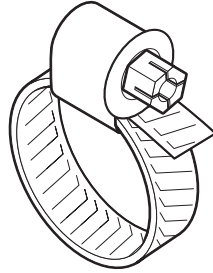
Airtronic	Airtronic M	Airtronic L	Air heater D8LC	Hydronic HS3 CS	Hydronic 16 / 24 / 30 / 35	Hydronic M-II	Part number
				■	~	~	25.1214.89.1600
				~	■	■	20.1673.80.1100
				■	~		20.1528.88.0003
				~	■		22.1000.10.0103
				~	~		20.1645.89.0007
				■		■	20.1645.89.0006
				■		■	22.1000.10.0104
				■		■	20.1645.89.0006

■ unrestricted use ~ Restricted use

- 1
- 1
- 2
- 3
- 4
- 5

PLUMBING

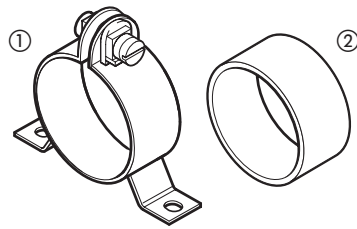
Clamp



ID = 16-25 mm
ID = 20-32 mm

Airtronic	Airtronic M	Airtronic L	Air heater D8LC	Hydronic HS3 CS	Hydronic 16 / 24 / 30 / 35	Hydronic M-II	Part number
				■			10.2067.01.6025
■	■	■		■	■		10.2066.02.0032

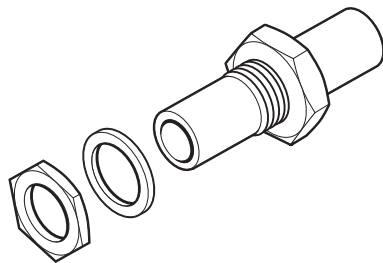
Pump Clamp and Rubber Ring



Pump Clamp 48 mm 22
Rubber Ring for Large FMP

							22.1000.50.1000 ①
			■	■			20.1449.00.1001 ②

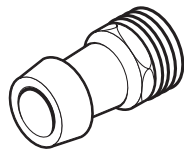
Bulk Head Fitting



3/4" - 2 pieces required
1/2 - 3/4 Straight Barb Connection

					■	■	20.2900.60.1010 5520068
--	--	--	--	--	---	---	----------------------------

Brass Pump Fittings



3/4" NPT x 3/4" Barb

						■	20.2900.60.1002
--	--	--	--	--	--	---	-----------------

■ unrestricted use ~ Restricted use

- 1
- 1
- 2
- 3
- 4
- 5

NOTES:

1

1

2

3

4

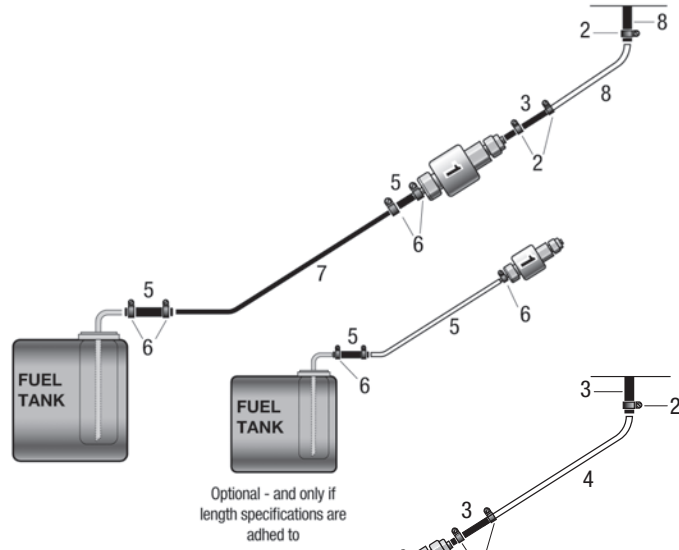
5



FUEL SYSTEM GUIDE

This guide is to help in selecting which size fuel line, rubber hose and clamps are required for a specific heating system. Refer to the Fuel System section of this manual for specific part numbers. Cross-reference this information with the corresponding heater manual for maximum height and length specifications.

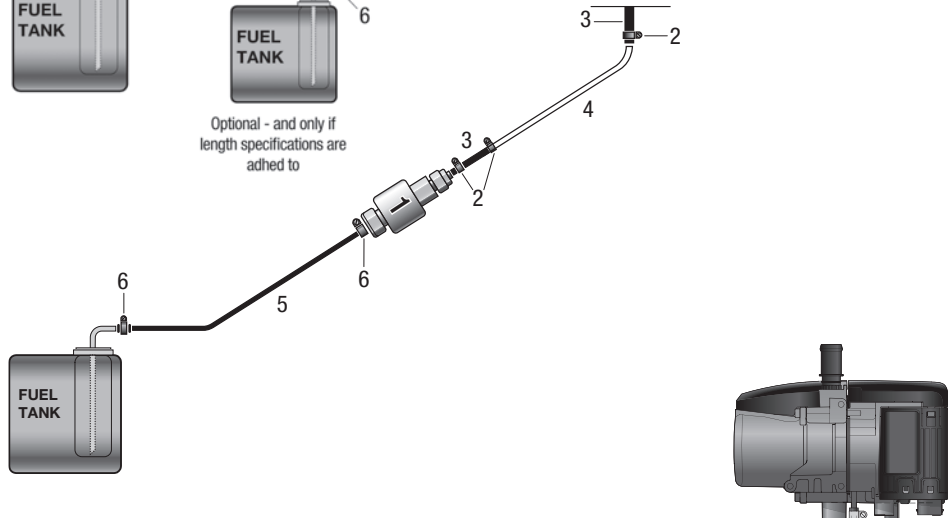
AIRTRONIC S2/M4



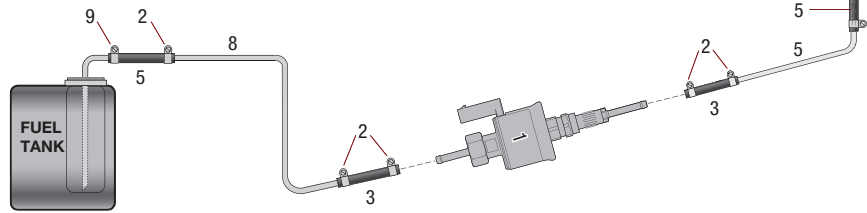
LEGEND

1. Fuel Metering Pump
2. Clamp 9mm
3. Rubber Connector 3.5mm
4. White Plastic Fuel Line 2.0mm
5. Rubber Connector / Fuel Line 5.0mm
6. Clamp 11mm
7. Black Plastic Fuel Line 2.0mm
8. White Plastic Fuel Line 1.5mm
9. Adapter: d=4.5 / 3.5mm
10. Clamp 10mm

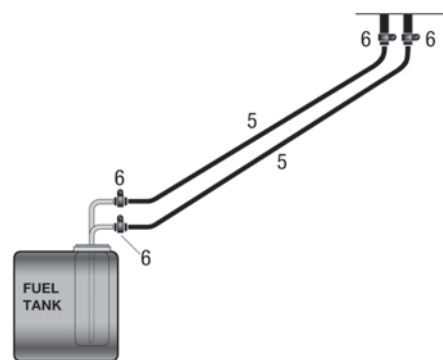
D8LC HYDRONIC 10



HYDRONIC 5 HS3 CS

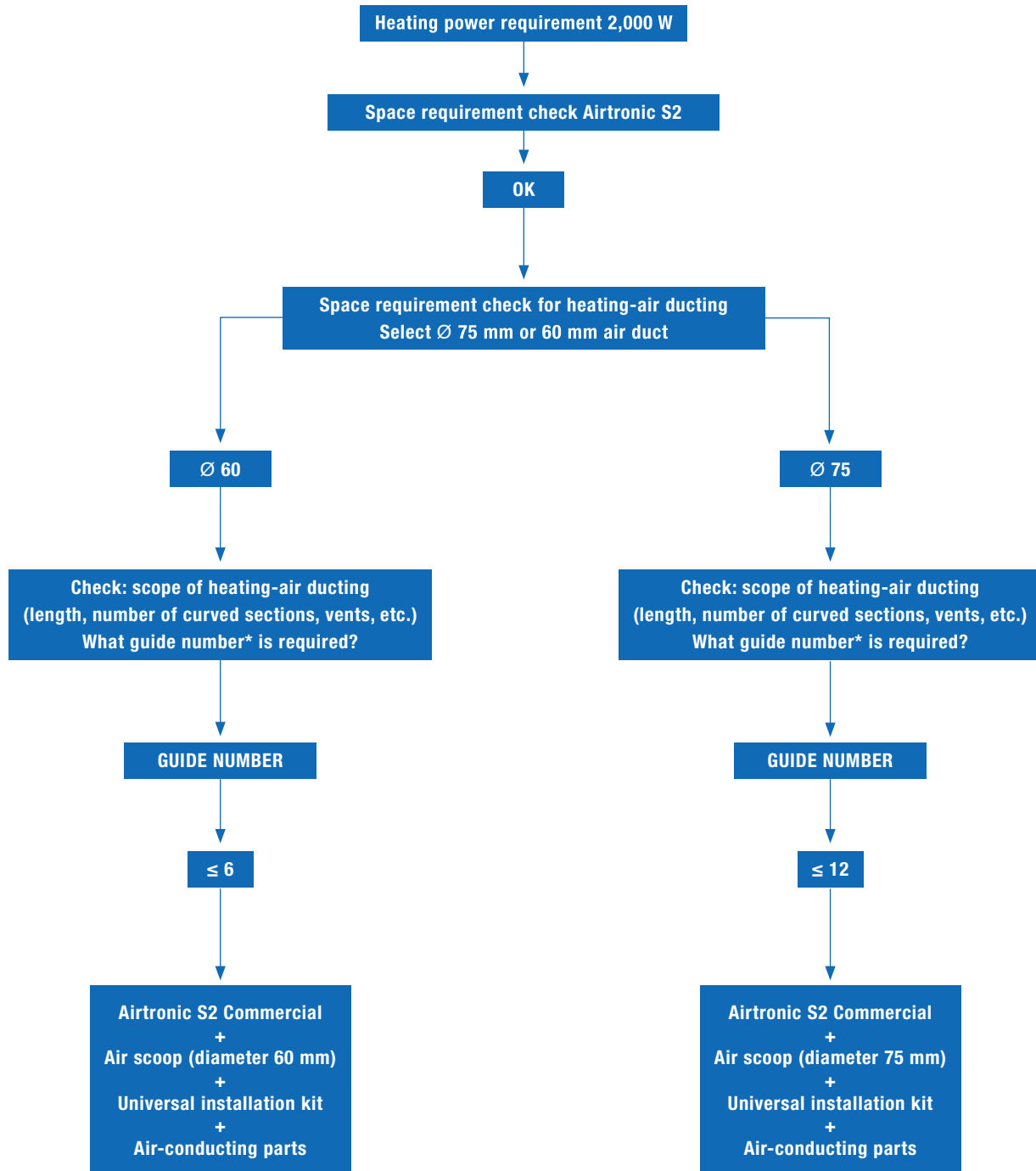


HYDRONIC 16 HYDRONIC 24 HYDRONIC 30 HYDRONIC 35



- 1
- 1
- 2
- 3
- 4
- 5

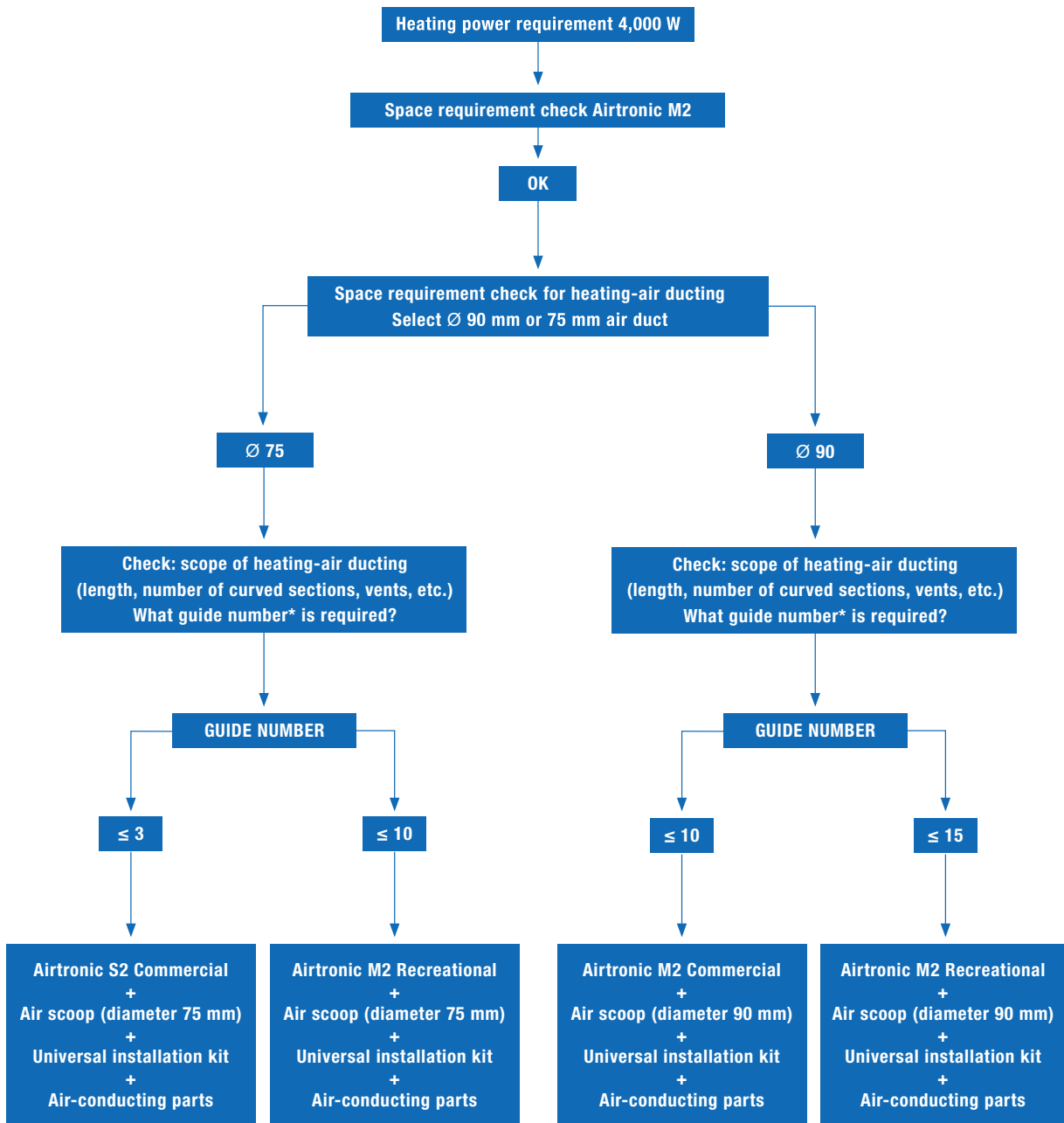
DUCTING RATING GUIDE



* Guide number: each component of the heating-air ducting (air hose, curved sections, vents, etc.) has a line guide number. The sum of these line guide numbers must not be greater than the guide number for the heater, otherwise the heater could malfunction – e.g. overheating. The higher the guide number for the heater, the more heating-air ducting components may be connected. Please refer to Eberspächer's Accessories catalog for a detailed explanation of guide numbers.



DUCTING RATING GUIDE



1

1

2

3

4

5

DUCTING RATING GUIDE

GENERAL TIPS ON HEATING AIR DUCTING AND COMPONENT RATINGS

A heater has the biggest heating air throughput when it can operate with the air blowing freely. Heating air ducting components reduce the throughput. To enable you to check whether or not the installation you plan reduces the air throughput to an inadmissible degree, we have calculated a heater rating for each heater and a component rating for each heating air ducting component:

- 0 = no temperature increase
- = no component rating

The sum of component ratings for the heating air ducting components must not exceed the heater rating, otherwise the outlet temperature will become too high and trigger the safety cutout switch. If the sum of the component ratings exceeds the heater rating, it can be reduced by selecting a larger diameter for the air ducting parts.

RULE OF THUMB:

Double the cross-section or two identical components running parallel = 1/4 of the rating.

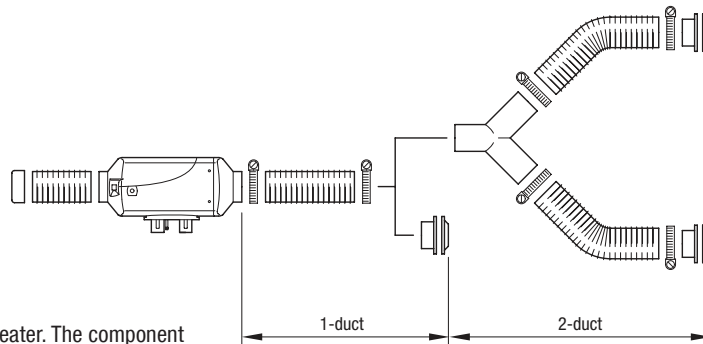
Example:

50 diameter hose
A = 19.6 cm², R rating 1.0

75 diameter hose
A = 44.2 cm², R rating 0.25

The component rating of smooth welded pipes is only half that of flexible pipe of equal diameter (e.g. double the pipe length).

MAIN-LINE DRAWING FOR 1-DUCT AND 2-DUCT HEATING AIR SYSTEM



1-DUCT MEANS:

A heating duct leads to or from heater. The component ratings under "1-duct" are valid.

2-duct means:

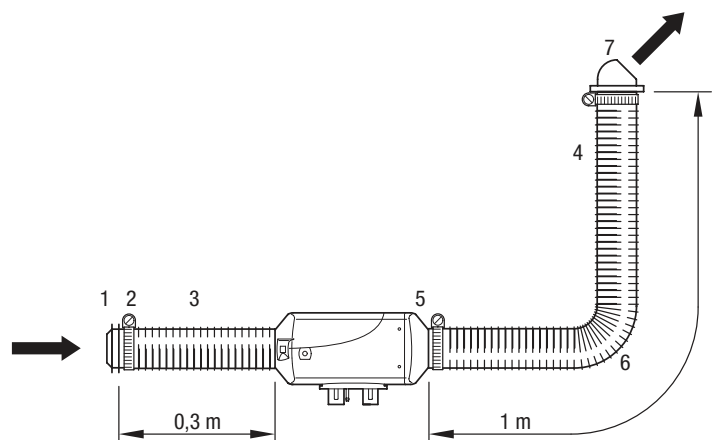
The heating air line branches into two ducts after the heater. Up to the branch the component ratings under "1-duct" are valid, after the branch they fall under "2-duct". If an adjustable outlet is used in the 2-duct heating system, one duct must be unclosable.

Note: When determining the sum of the component ratings, do not take the closable duct into consideration.

EXAMPLE OF HEATING AIR DUCTING FOR AIRTRONIC D2

Heater Rating = 6

ITEM	DESIGNATION	COMPONENT RATING
1	Protective grille	0.5
2	Connection piece 60mm dia.	0
3	Flex. pipe, 60mm dia. 0.3m long	0.3
4	Flex. pipe, 60mm dia, 1.0m long	1.0
5	Reduction hood 60mm straight	0
6	1 x 90° bends of flex. pipe	0.2
7	Swivel outlet	3.2
Total Component Rating		5.2



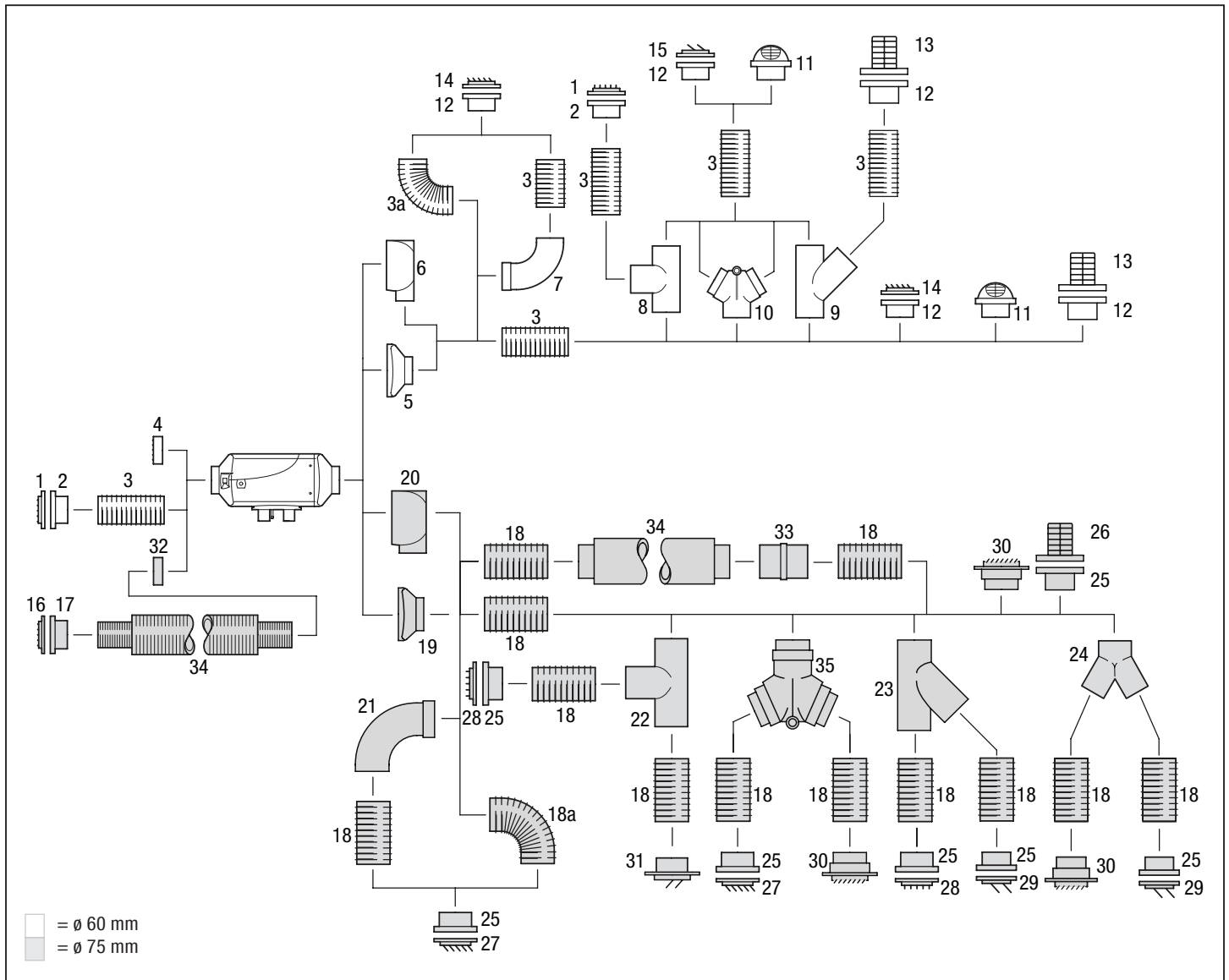
Rating sum = 5.2 and does not exceed the heater rating of 6. The installation is permissible.

- 1
- 1
- 2
- 3
- 4
- 5

DUCTING RATING GUIDE FOR AIRTRONIC S2 COMMERCIAL

Heater Rating 6 - applies with a 60mm dia. outlet hood.
 Heater Rating 12 - applies with a 75mm dia. outlet hood.

The sketch shows how the most important air ducting parts that can be used. They are not intended as examples of installation.



- 1
- 1
- 2
- 3
- 4
- 5

DUCTING RATING GUIDE FOR AIRTRONIC S2 COMMERCIAL

DESIGNATION (measurements in millimeters)		COMPONENT / DUCT RATING		PARTS LIST NUMBER
		Single duct	Multi duct	
AIRTRONIC D2 WITH REDUCTION HOOD 60 DIA. (HEATER RATING 6)				(See page 59)
1	Grille (Inlet & Outlet) \varnothing 60	0.4	0.1	1
2	Connecting socket, \varnothing 60	0	0	2
3	Flexible pipe, \varnothing 60 (per metre)	1	0.25	3
3a	90° Bend, flexible pipe, \varnothing 60	0.2	-	3
4	Protective grille - Heater \varnothing 60	0	-	4.1
5	Reduction hood, (Straight) \varnothing 60	0	0	5
6	Reduction hood, (Spherical, 90°) \varnothing 60	4.8	-	6
7	90° Bend, plastic elbow, \varnothing 60	4	-	7
8	T-piece, \varnothing 60 x \varnothing 60 x \varnothing 60	1.4	0.25	8
9	Y-piece, 45°, \varnothing 60 x \varnothing 60 x \varnothing 60	-	1	9
10	Butterfly valve with regulating flap, \varnothing 60 x \varnothing 60 x \varnothing 60 (Position "right/left")	-	0.6	10
11	Outlet grill with connecting piece (rotatable) \varnothing 60	3.2	0.8	11
12	Ducting flange (plastic connecting piece) \varnothing 60	0	0	12
13	Up right vent 90° (rotatable) \varnothing 60	0.8	0.15	13
14	Outlet screen (flat) 30° (rotatable) \varnothing 60	0.5	0.15	14
15	Outlet screen (closeable, rotatable) \varnothing 60	-	-	15
AIRTRONIC D2 HEATING AIR DUCTING WITH REDUCTION HOOD, \varnothing 75 (HEATER RATING 12)				
16	Grille (Inlet & Outlet) \varnothing 75	0.4	0.1	1
17	Connecting socket, \varnothing 75	0	0	2
18	Flexible pipe, \varnothing 75 (per metre)	1	0.25	3
18a	90° Bend, flexible pipe, \varnothing 75	1.2	-	3a
19	Reduction hood, (Straight) \varnothing 75	0	0	5
20	Reduction hood, (Spherical 90°) \varnothing 75	6	-	6
21	90° Bend, plastic elbow, \varnothing 75	4.5	-	7
22	T-piece, \varnothing 75 x \varnothing 75 x \varnothing 75	-	0.8	8
23	Y-piece, 45°, \varnothing 75 x \varnothing 75 x \varnothing 75	-	0.6	9
24	Y-piece, Symmetrical, \varnothing 75 x \varnothing 60 x \varnothing 60	-	0.8	9.2
25	Ducting flange (plastic connecting piece) \varnothing 75	0	0	12
26	Up right vent 90° (rotatable) \varnothing 75	0.8	0.15	13
27	Outlet screen (flat) 30° (rotatable) \varnothing 75	0.5	0.15	14
28	Outlet screen (flat) 0° (rotatable) \varnothing 75	0.5	0.15	14.1
29	Outlet screen (closeable, rotatable) \varnothing 75	-	-	15
30	Outlet vent with flange (rotatable) \varnothing 75 - \varnothing 100	0.6	0.2	16
31	French vent with flange (closeable) \varnothing 75	-	-	-
32	Adaptor ring (\varnothing 60 to \varnothing 75)	-	-	17
33	Ducting union (straight connector) \varnothing 75	0.5	0.1	18
34	Air silencer (inlet and outlet) \varnothing 75	0.7	-	19
35	Butterfly valve with regulating flap, \varnothing 75 x \varnothing 75 x \varnothing 75 (Position "middle / right, left")	-	1.2 / 0.6	10

1

1

2

3

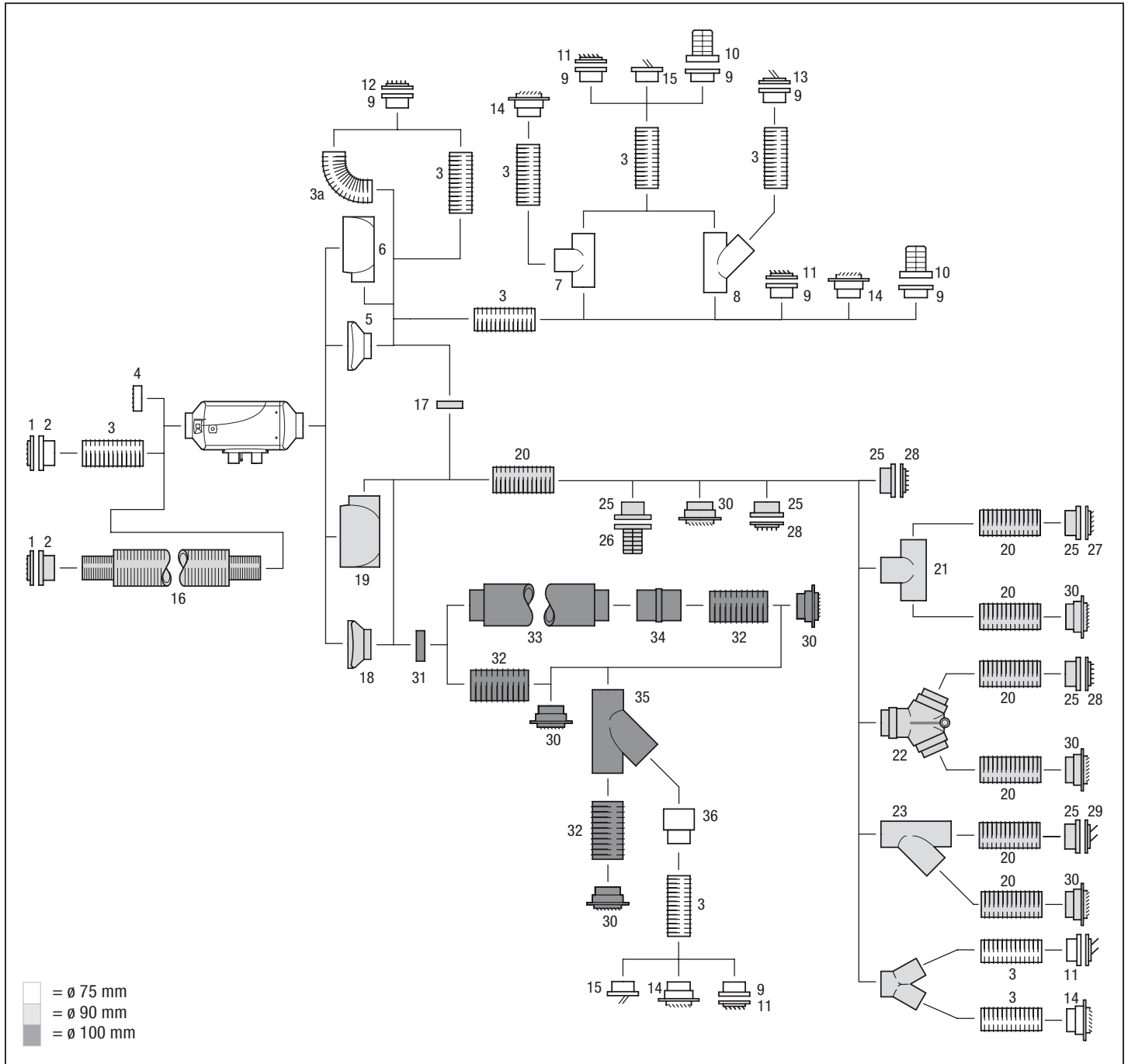
4

5

DUCTING RATING GUIDE FOR AIRTRONIC M2 COMMERCIAL

Heater Rating 3 - applies with a 75mm dia. outlet hood.
 Heater Rating 10 - applies with a 90mm dia. outlet hood.

The sketch shows how the most important air ducting parts that can be used. They are not intended as examples of installation.



DUCTING RATING GUIDE FOR AIRTRONIC M2 COMMERCIAL

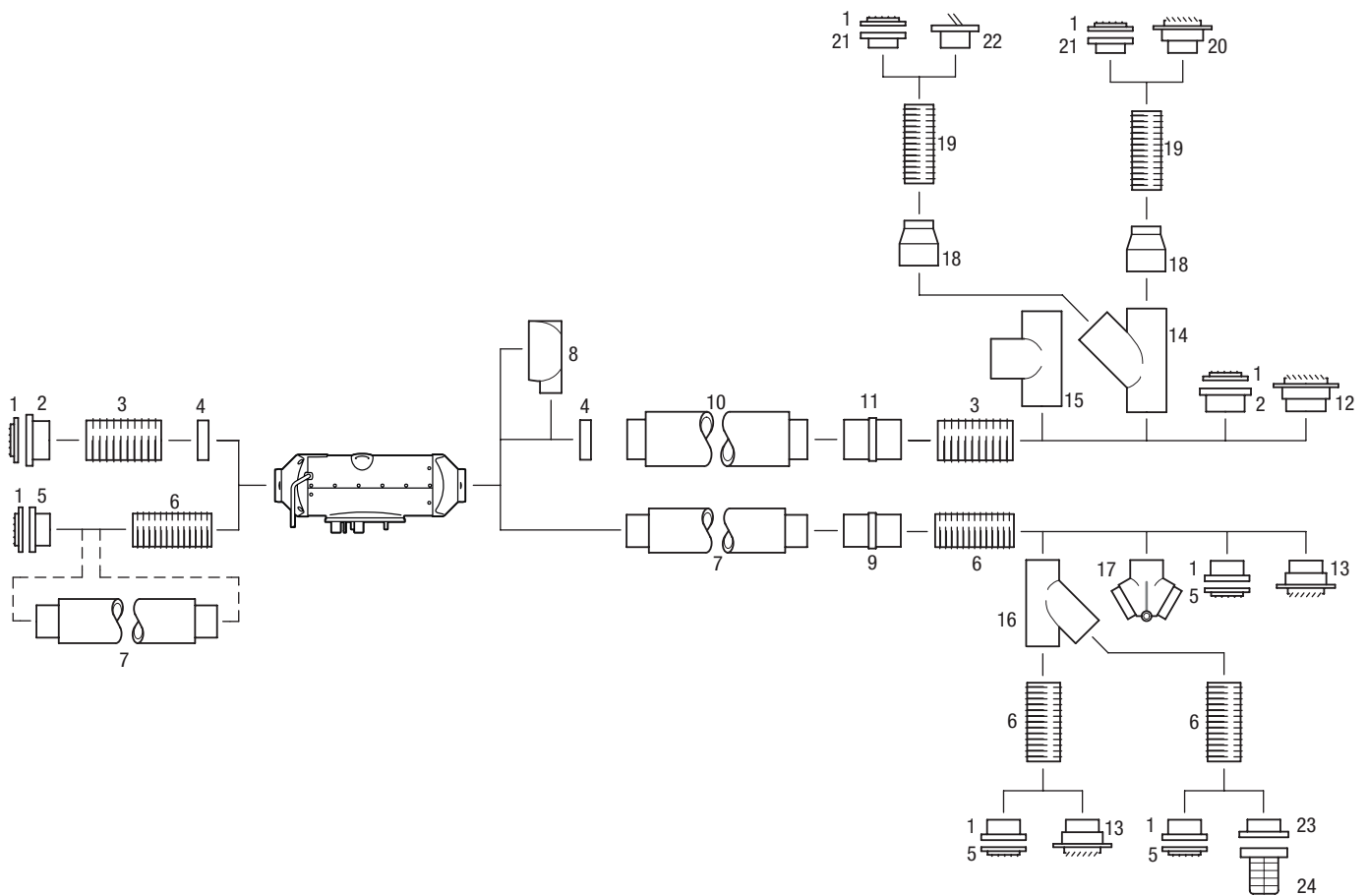
DESIGNATION (measurements in millimeters)		COMPONENT / DUCT RATING				PARTS LIST NUMBER
		Single duct ø 75	Single duct ø 90	Multi duct ø 75	Multi duct ø 90	
AIRTRONIC D4 HEATING AIR DUCTING WITH REDUCTION HOOD 75 DIA. (HEATER RATING 3)						(See page 59)
1	Grille, (inlet & outlet), ø 75	0.4		0.1		1
2	Connecting socket, ø 75	0	-	0	-	2
3	Flexible pipe, ø 75 (per metre)	1	-	0.25	-	3
3a	90° Bend, flexible pipe, ø 75	0.2	-	0	-	3
4	Protective grille - heater, ø 75	2.0	-	-	-	4.1
5	Reduction hood, (Streight) ø 75	0	-	-	-	5
6	Reduction hood, (Spherical, 90°) ø 75	2.0	-	-	-	6
7	T-piece, ø 75 x ø 75 x ø 75	-	-	0.5	-	8
8	Y-piece, 45°, ø 75 x ø 75 x ø 75	-	-	0.6	-	9
9	Ducting flange (connecting piece) ø 75	0	-	0	-	12
10	Up right vent 90° (rotatable) ø 75	1.1	-	0.3	-	13
11	Outlet screen (flat, 30°, rotatable) ø 75	0.3	-	0.1	-	14
12	Outlet screen (flat, 0°, rotatable) ø 75	0.3	-	0.1	-	14.1
13	Outlet screen (closable, rotatable) ø 75	-	-	-	-	15
14	Outlet vent with flange (rotatable) ø 75 - ø 100	0.8	-	-	-	16
15	French vent with flange (closable) ø 75	-	-	-	-	-
16	Air silencer ø 75	0.8	-	-	-	19
17	Adapter ring (ø 75 x ø 90)	0.5	-	-	-	17
AIRTRONIC D4 WITH REDUCTION HOOD, ø 90 (HEATER RATING 10)						
18	Reduction hood (straight) ø 90	0	-	-	-	5
19	Reduction hood (spherical 90°) ø 90	-	5.0	-	-	6
20	Flexible pipe, ø 90 (per metre)	-	1	-	2.5	3
21	T-piece, ø 90 x ø 90 x ø 90	-	0	-	-	8
22	Butterfly valve with regulating flap, ø 90 x ø 90 x ø 90 (Position "middle / right, left")	-	1.2 / 1.4	-	-	10
23	Y-piece, 45°, ø 90 x ø 90 x ø 90	-	-	-	-	9
24	Y-piece, Symmetrical, ø 90 x ø 75 x ø 75	-	-	-	0.9	9.1
25	Ducting flange (plastic connecting piece) ø 90	-	2.2	-	0.5	12
26	Up right vent 90° (rotatable) ø 90	-	2.4	-	0.6	13
27	Outlet screen (flat) 30° (rotatable) ø 90	-	2.0	-	0.4	14
28	Outlet screen (flat) 0° (rotatable) ø 90	-	1.1	-	0.3	14.1
29	Outlet screen (closable and rotatable) ø 90	-	-	-	-	15
30	Outlet vent with flange (rotatable) ø 90 - ø 100	-	2.2	-	0.5	16
31	Adapter ring (ø 90 to ø 100)	-	0	-	-	17
32	Flexible pipe, ø 100 (per metre)	-	0.4	-	-	3
33	Air silencer (inlet and outlet) ø 100	-	0.5	-	-	19
34	Ducting union (connector) ø 100	-	0.1	-	0.3	18
35	Y-piece, 45° (ø 100 x ø 100 x ø 100)	-	-	-	0.5	9
36	Plastic reducer (for 4-piece & ducting union) (ø 100 to ø 75)	-	3.2	-	0.8	17

1
1
2
3
4
5

DUCTING RATING GUIDE FOR AIRTRONIC 5

Heater Rating 10

The sketch shows how the most important air ducting parts that can be used. They are not intended as examples of installation.



- 1
- 1
- 2
- 3
- 4
- 5

DUCTING RATING GUIDE FOR AIRTRONIC 5

DESIGNATION (measurements in millimeters)		COMPONENT RATING		PARTS LIST NUMBER
		1-duct	2-duct	
Heating air ducting with reduction hood 90 dia. (heater rating 10)		Single duct	Multi duct	(See page 59)
1	Grille	0.6	0.2	1
2	Connecting socket, metal, 100 dia.	0	0	2
3	Flexible pipe, 100 dia. per m	0.6	0.2	3.1
	Bend, 90° of flexible pipe, 100 dia.	0.6	-	3
4	Grille, 90x100 dia.*	0	-	4
5	Connector piece, 90 dia.	0	0	2
6	Flexible pipe, 90 dia. per m	1.0	0.25	3
	Bend, 90° of flexible pipe, 90 dia.	0.2	-	3
7	Silencer, 90 dia.	0.8	-	19
8	Spherical reduction hood, 90 dia.	8	-	6
9	Connector, 90 dia.	0.5	0.1	18
10	Silencer, 100 dia.	0.5	-	19
11	Connector, 100 dia.	0.4	0.1	18
12	Outlet grill (rotatable) 100 dia.	2	0.5	16
13	Outlet grill (rotatable) 90 dia.	2	0.5	16
14	Y-piece 100x100x100 dia.	-	0.5	
15	T-piece 100x100x100 dia.	-	0.5	
16	Y-piece 90x90x90 dia.	-	0.6	9
	Regulating valve 90x90x90 dia.			10
17	Position "middle"	-	1.1	
	Position "right/left"	1	-	
18	Reduction piece, 100 dia. - 75 dia.	3.2	-	17
19	Flexible pipe, 75 dia. per m	4	1	3
	Bend, 90°- of flexible pipe, 75 dia.	-	0.5	3
20	Outlet grill (rotatable) 75 dia.	-	1.25	16
21	Connecting socket, metal, 75 dia.	0	0	12
22	Round outlet, 75 dia., closing	-	-	14
23	Connector, 90 dia.	0	0	12
24	Outlet grill	3	0.8	13

* Pos. 4 - if used as adapter 90 x 100 dia., cut out the mesh.

1

1

2

3

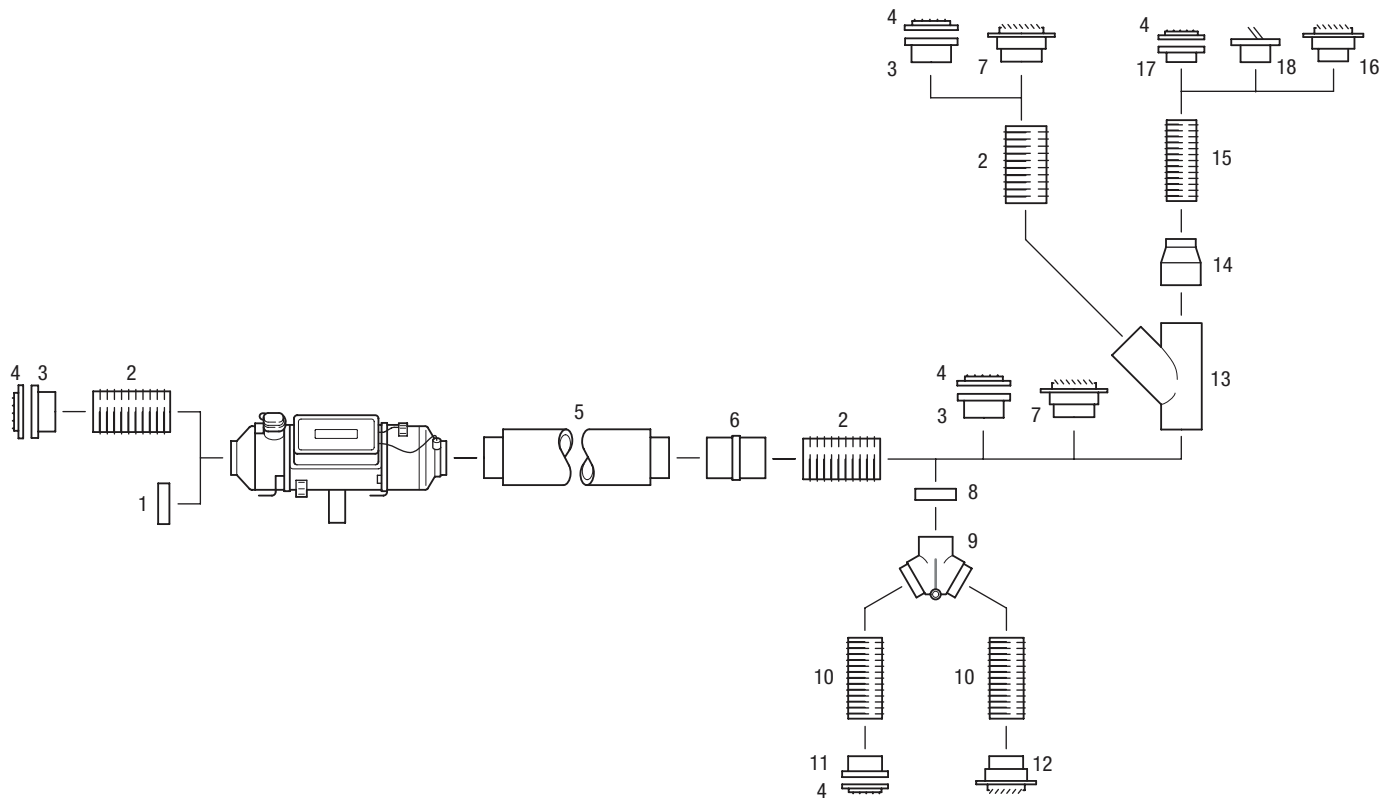
4

5

DUCTING RATING GUIDE FOR D8LC

Heater Rating 8

The sketch shows how the most important air ducting parts that can be used. They are not intended as examples of installation.



- 1
- 1
- 2
- 3
- 4
- 5

DUCTING RATING GUIDE FOR D8LC

	DESIGNATION (measurements in millimeters)	COMPONENT RATING		PARTS LIST NUMBER
		1-duct	2-duct	
	Heating air ducting with reduction hood 90 dia. (heater rating 10)	Single duct	Multi Duct	(See page 59)
1	Grille, 100 dia.	0.1	-	1
2	Flexible pipe, 100 dia., per m	1.0	0.251	3.1
-	Pipe bend, 90°, of flex. pipe, 100 dia.	0.5	0.15	3
3	Connecting socket, metal, 100 dia.	0	0	2
4	Grille, painted, 100 dia.	1.8	0.1	1
-	Grille, nickel-plated, 100 dia.	1.8	0.1	
5	Silencer, 100 dia.	1.1	0.25	19
6	Connector socket, 100 dia.	0.5	0.1	18
7	Outlet grill (rotatable), 100 dia.	5.5	1.2	16
8	Grille, 90x100 dia.*	0	-	1
9	Regulating valve 100x100x100 dia.	-	2.6	10
10	Flexible pipe, 90 dia., per m	3	0.8	3
11	Connecting socket, metal, 90 dia.	0	0	12
12	Outlet grill (rotatable) 90 dia.	-	1.4	13
13	Y-pipe 100x100x100 dia.	-	0.4	9
14	Reduction piece, 100 dia. - 74 dia.	6.1	-	9.1
15	Flexible pipe 75 dia. per m	-	2	3
-	Pipe bend, 90° of flex. pipe, 75 dia.	-	1.1	3
16	Outlet grill (rotatable) 75 dia.	-	-	13
17	Connector socket, 75 dia.	0	0	12
18	Connecting socket, metal, 75 dia.	-	-	2

*Pos. 8 - if used as adapter 90x100 dia., cut out the mesh.

1

1

2

3

4

5

ELECTRIC HEATERS

HIGH VOLTAGE PTC COOLANT HEATER FOR ELECTRIC VEHICLES CHHV 50 G3



Note:

- The high voltage heater is strictly OEM product, available only to vehicle and body manufacturers.
- Not available for aftermarket installations/replacements. Because of its nature, the heater comes without certification and has to be certified together with the vehicle.

3rd GENERATION HIGH VOLTAGE COOLANT HEATER

- HV electrical coolant heater for automotive use
- Specified for a voltage range which is typical for electrical/hybrid/fuel cell vehicles
- Application as:
 - Vehicle interior heating
 - Battery conditioning
 - Other coolant circuit applications
- PTC Technology

SPECIFICATIONS

LV – Voltage supply (V)	9 – 16
HV – Voltage supply (V)	250 – 450
HV – Current consumption (A)	14.3
Heat output* (W)	5000
Heat stages	6
Burst pressure (bar)	5
Weight (kg)	2.0
Controllability	LIN
IP-Class	IP6K9K, IP67
Dimensions (mm)	160x141x105
Functional safety ISO 26262	ASILA
Coolant temperature (°C)	-40 up to + 90°C
Lifetime (h)	8000h heater active / 12000 ECU active

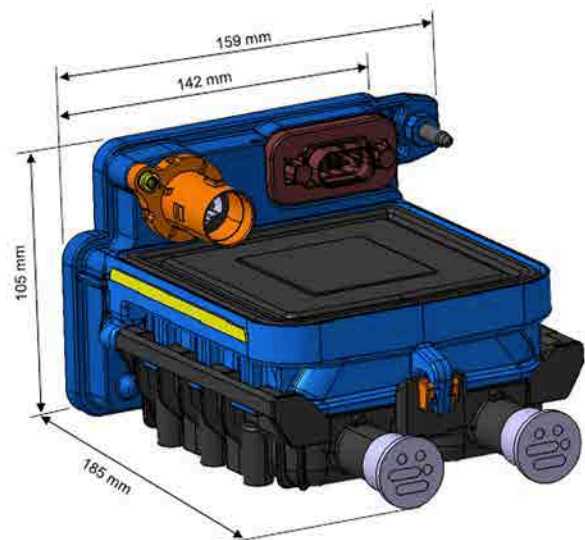
HIGH-VOLTAGE ELECTRICAL HEATER TITRONIC CHHV 50 G3

The third generation of high-voltage PTC water heaters for electric vehicles

- Reliable and powerful PTC technology offering a high heating performance of 5 kW
- Six heat settings
- Already installed in 773,000 hybrid/electric vehicles worldwide (first to third HV PTC heater generations)
- PTC elements allow intrinsically safe operation of the heater
- Small installation space required

Order part # for package of 4 pcs.

21.2201.05.0000



1

1

2

3

4

5

KALORI PRODUCTS



Air conditioning



Pressurization



Heating products
and Accessories



- 1
- 1
- 2
- 3
- 4
- 5

AIR CONDITIONING - KALORI

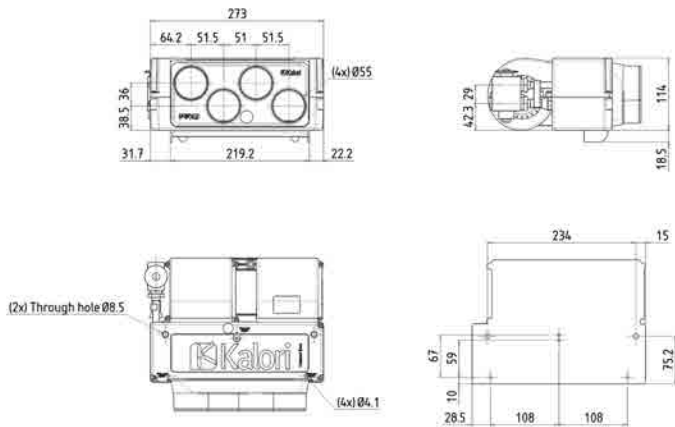
COMPACT EVO2 KLIM ED4

EVAPORATOR

- The smallest evaporator on the market.
- Equipped with a double blower, this evaporator is very compact and can be used for the air-conditioning of a small vehicle or cabin.

Cooling output	2.5 kW
Airflow	230 m³/h
Electricity consumption	100 W
Ventilation speed	3

Voltage	Reference
12 V	83.0012.22.0002



AIR CONDITIONING - KALORI

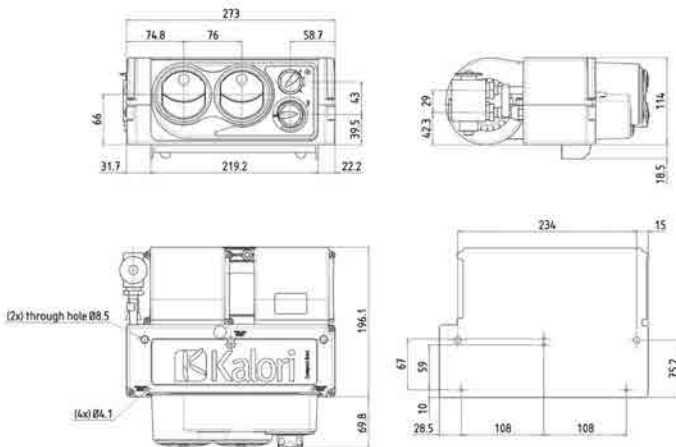
COMPACT EVO2 KLIM FAI

EVAPORATOR

- The smallest evaporator on the market.
- Equipped with a double blower, this evaporator is very compact and can be used for the air-conditioning of a small vehicle or cabin.

Cooling output	2.5 kW
Airflow	230 m ³ /h
Electricity consumption	100 W
Ventilation speed	3

Voltage	Reference
12 V	83.0012.22.0003
24 V	83.0012.22.0103



AIR CONDITIONING - KALORI

SUPER K KLIM

EVAPORATOR

- The ideal air-conditioning for a small ambulance or a van. Also available in combi version (evaporator+heater)
- Super K Klim ED4: for driver's cab
- Super K Klim G: for direct air diffusion throughout the vehicle
- Super K Klim KC: to be fitted into a bulkhead: for ambulance, van or wheelchair van

Cooling output	4 kW
Airflow	440 m ³ /h
Electricity consumption	100 W
Ventilation speed	3

Voltage	Reference
Super K Klim E	
12 V	83.0012.21.7010
24 V	83.0012.21.7110
Super K Klim G	
12 V	83.0012.21.7012
24 V	83.0012.21.7112
Super K Klim ED4 (Ø 55 mm)	
12 V	83.0012.21.7011
24 V	83.0012.21.7111
Super K Klim KC	
12 V	83.0012.21.7015
24 V	83.0012.21.7115



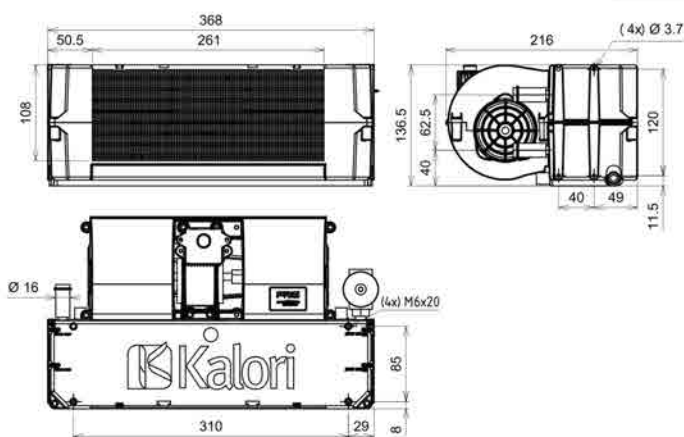
Klim E



Klim G



Klim ED4



1

1

2

3

4

5

AIR CONDITIONING - KALORI

SUPER K KOMBI

EVAPORATOR - HEATER

- Horizontal evaporator-heater
- Super K Kombi ED4: for driver's cab
- Super K Kombi G: for direct air diffusion throughout the vehicle
- Super K Kombi KC: to be fitted into a partition: for ambulance, van or wheelchair van

Heating power	4.3 kW
Cooling output	2.5 kW
Airflow	440 m ³ /h
Electricity consumption	100 W
Water connection	Ø 16 mm
Ventilation speed	3

Voltage	Reference
Super K Klim E	
12 V	83.0012.21.7000
24 V	83.0012.21.7100
Super K Klim G	
12 V	83.0012.21.7002
24 V	83.0012.21.7102
Super K Klim ED4 (Ø 55 mm)	
12 V	83.0012.21.7001
24 V	83.0012.21.7101
Super K Klim KC	
12 V	83.0012.21.7014
24 V	83.0012.21.7114



Kombi E



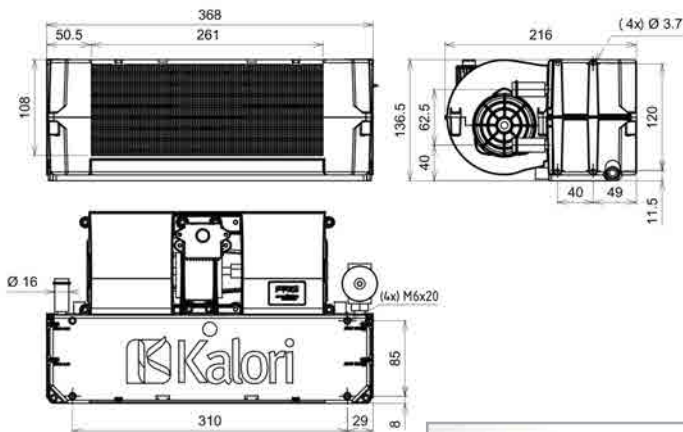
Kombi G



Kombi ED4



Kombi KC



- 1
- 1
- 2
- 3
- 4
- 5

AIR CONDITIONING - KALORI

AIR CONDITIONING ACCESSORIES

- Diffuser outlets for Super K HVAC

Reference	Version
83.0034.00.7348	G
83.0034.00.7778	KC
83.0034.00.7527	ED4 (Ø 55 mm)



1

1

2

3

4

5

AIR CONDITIONING - KALORI

KOOL KLIM

EVAPORATOR

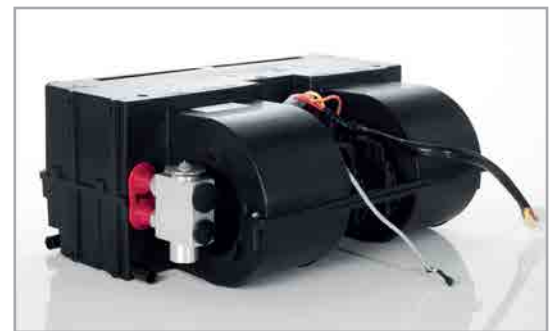
- Horizontal evaporator
- Kool Klim ED6: for driver's cab
- Kool Klim KC: to be fitted into a bulkhead: for ambulance, van or wheelchair van

Cooling output	5.7 kW
Airflow	520 m ³ /h
Electricity consumption	180 W
Ventilation speed	3

Voltage	Reference
Kool Klim E	
12 V	83.0012.21.2250
24 V	83.0012.21.2350
Kool Klim ED6 (Ø 55 mm)	
12 V	83.0012.21.2251
24 V	83.0012.21.2351
Kool Klim KC	
12 V	83.0012.21.2204
24 V	83.0012.21.2304



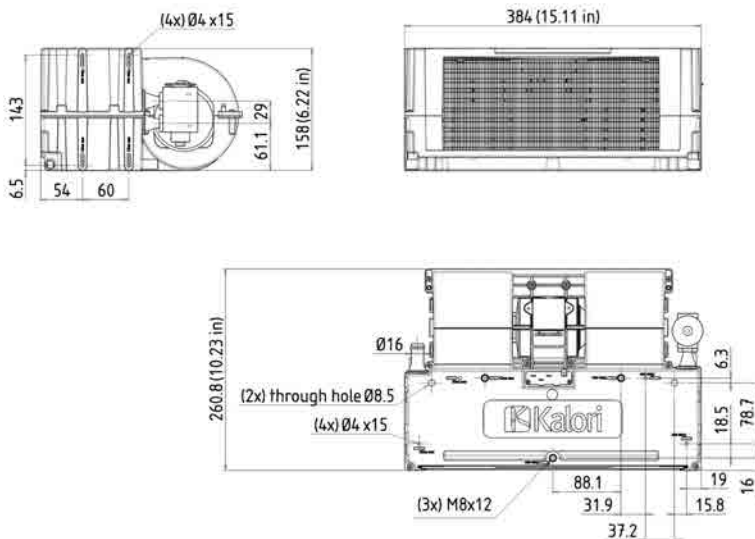
Klim E



Klim ED6



Klim KC



- 1
- 1
- 2
- 3
- 4
- 5

AIR CONDITIONING - KALORI

KOOL KOMBI

EVAPORATOR - HEATER

- Horizontal evaporator-heater system
- Kool Kombi ED6: for driver's cab
- Kool Kombi KC: to be fitted into a bulkhead: for ambulance, van or wheelchair van

Heating Power	6.6 kW
Cooling output	4.5 kW
Airflow	520 m³/h
Electricity consumption	180 W
Water connection	Ø 16 mm
Ventilation speed	3

Voltage	Reference
Kool Kombi E	
12 V	83.0012.21.2200
24 V	83.0012.21.2300
Kool Kombi ED6 (Ø 55 mm)	
12 V	83.0012.21.2201
24 V	83.0012.21.2301
Kool Kombi KC	
12 V	83.0012.21.2203
24 V	83.0012.21.2303



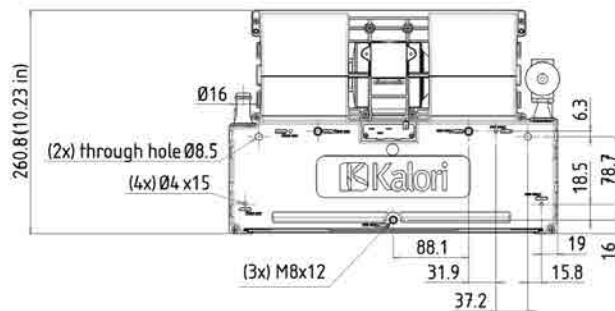
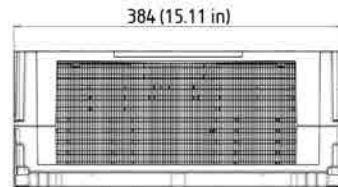
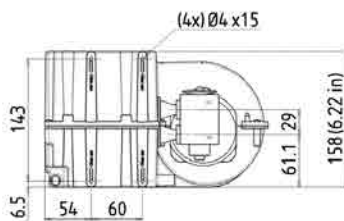
Kombi E



Kombi ED6



Kombi KC



- 1
- 1
- 2
- 3
- 4
- 5

AIR CONDITIONING - KALORI

DIFFUSER OUTLETS FOR KOOL

AIR CONDITIONING ACCESSORIES

- Diffuser outlets for Kool HVAC

Reference	Version
83.0034.00.7075	ED6 (Ø 55 mm)
83.0034.01.7148	KC



AIR CONDITIONING - KALORI

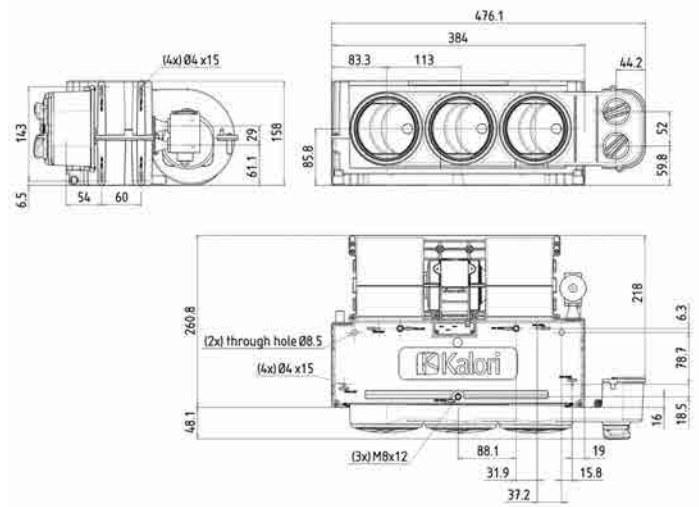
KOOL KLIM FAI

EVAPORATOR

- Horizontal evaporator for ambulance or van - flush mounted
- Ventilation speed and temperature settings on front panel

Cooling output	5.7 kW
Airflow	520 m ³ /h
Electricity consumption	180 W
Ventilation speed	3

Voltage	Reference
12 V	83.0012.21.2252
24 V	83.0012.21.2352



AIR CONDITIONING - KALORI

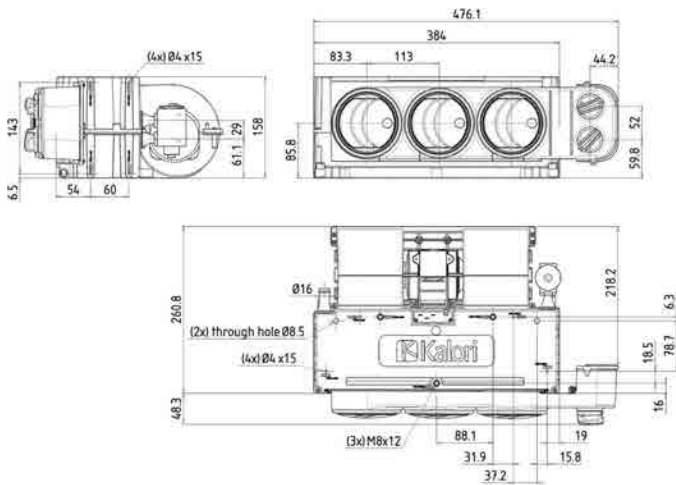
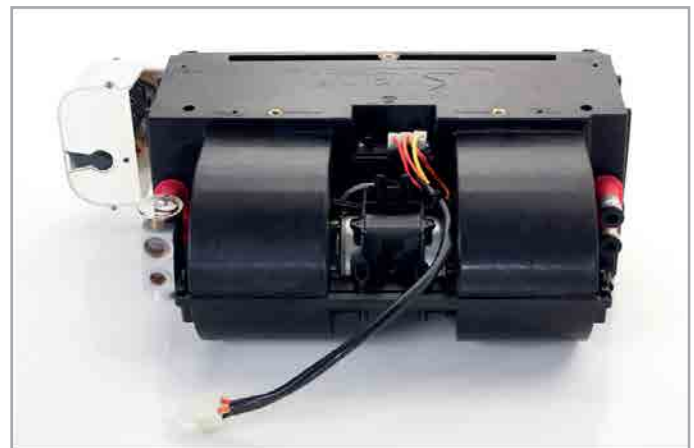
KOOL KOMBI FAI

EVAPORATOR - HEATER

- Horizontal evaporator-heater system for ambulance, wheelchair van
- To fit in a wall
- Ventilation speed and temperature setting included

Heating power	6.6 kW
Cooling output	4.5 kW
Airflow	520 m³/h
Electricity consumption	180 W
Raccord eau / Water connection	Ø 16 mm
Ventilation speed	3

Voltage	Reference
12 V	83.0012.21.2202
24 V	83.0012.21.2302



AIR CONDITIONING - KALORI

COMPACT EV04 KLIM

EVAPORATOR

- Extraflat horizontal evaporator
- Specially adapted for the driver's bunk area (also available in combi version - evaporator+heater)

Cooling output	6 kW
Airflow	620 m³/h
Electricity consumption	171 W
Ventilation speed	3

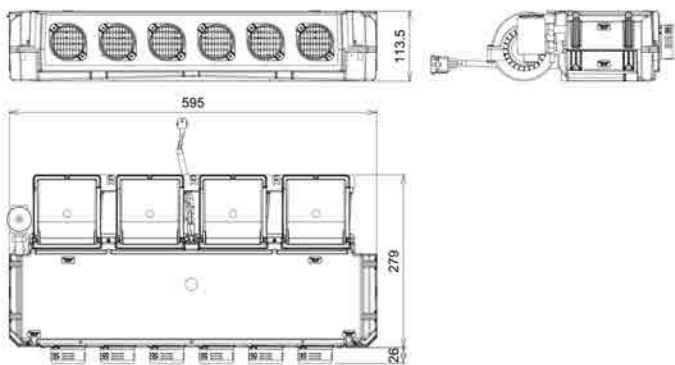
Voltage	Reference
Compact EV04 E	
12 V	83.0012.22.0500
24 V	83.0012.22.0550
Compact EV04 ED6 (Ø 55 mm)	
12 V	83.0012.22.0501
24 V	83.0012.22.0551
Air diffuser	
White	83.0034.00.7963



Klim E



Klim ED6



- 1
- 1
- 2
- 3
- 4
- 5

AIR CONDITIONING - KALORI

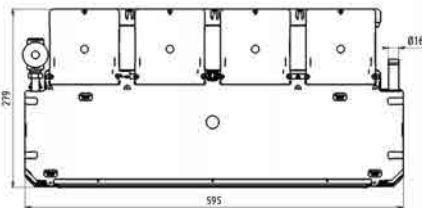
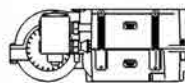
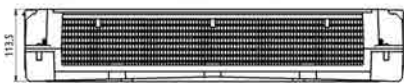
COMPACT EVO4 KOMBI

EVAPORATOR - HEATER

- Extraflat horizontal evaporator
- Specially adapted for the driver's bunk area (also available in air-conditioning only version)

Heating power	8.9 kW
Cooling output	5.5 kW
Airflow	480 m³/h
Electricity consumption	171 W
Raccord eau / Water connection	Ø 16 mm
Ventilation speed	3

Voltage	Reference
Compact EVO4 Kombi E	
12 V	83.0012.22.0502
24 V	83.0012.22.0552
Compact EVO4 Kombi ED6 (Ø 55 mm)	
12 V	83.0012.22.0503
24 V	83.0012.22.0553
Air diffuser panel	
White	83.0034.00.7963



AIR CONDITIONING - KALORI

FALKON KLIM

EVAPORATOR

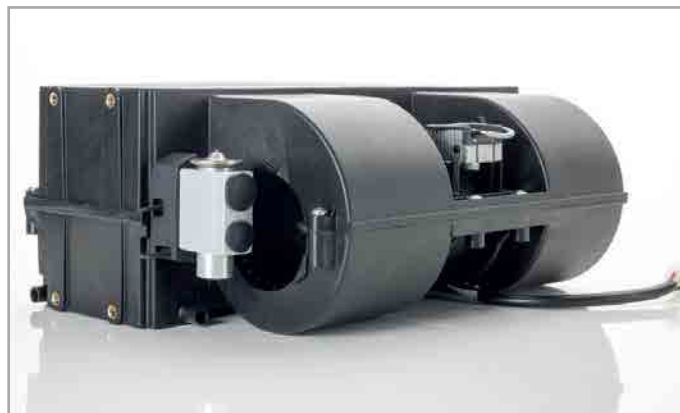
- Evaporator for ambulance, minibus or cabin
- Extremely efficient for its compactness.

Cooling output	9 kW
Airflow	725 m³/h
Electricity consumption	360 W
Ventilation speed	3

Voltage	Reference
Falkon Klim E	
12 V	83.0012.21.9010
24 V	83.0012.21.9110
Falkon Klim ED6 (Ø 55 mm)	
12 V	83.0012.21.9011
24 V	83.0012.21.9111
Falkon Klim KC	
12 V	83.0012.21.9008
24 V	83.0012.21.9108



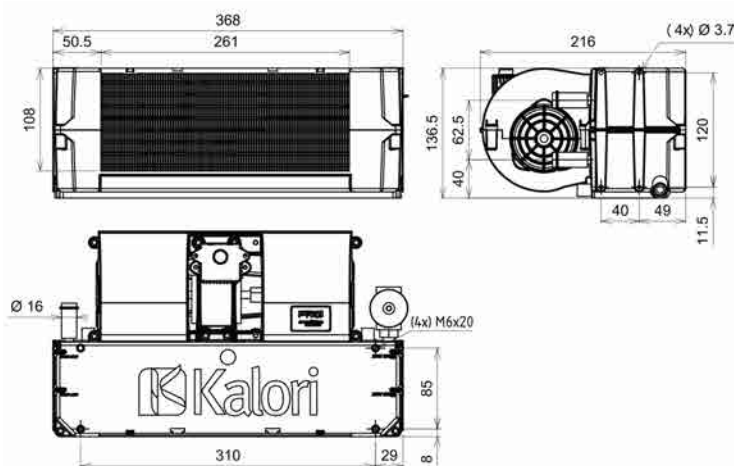
Klim E



Klim ED6



Klim KC



AIR CONDITIONING - KALORI

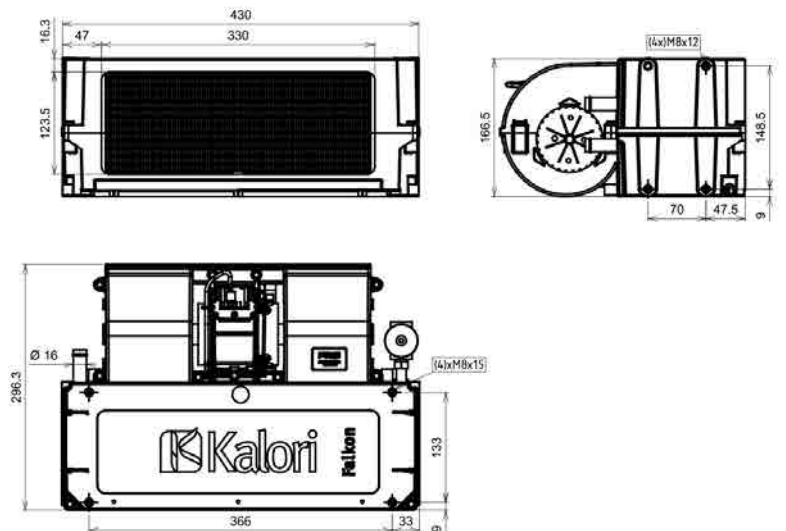
FALKON KOMBI

EVAPORATOR - HEATER

- Evaporator / heater for driver's cab
- Also used for ambulances (numerous approvals)
- Highly efficient and compact air conditioning for a large cabin; also available as an air conditioning (evaporator only) version. Highly resistant to pressure losses, for optimum diffusion even through long duct lengths.

Heating power	10 kW
Cooling output	7.7 kW
Airflow	725 m³/h
Electricity consumption	360 W
Raccord eau / Water connection	Ø 16 mm
Ventilation speed	3

Voltage	Reference
Falkon Kombi E	
12 V	83.0012.21.9000
24 V	83.0012.21.9100
Falkon Kombi ED6 (Ø 55 mm)	
12 V	83.0012.21.9001
24 V	83.0012.21.9101
Falkon Kombi KC	
12 V	83.0012.21.9007
24 V	83.0012.21.9107



AIR CONDITIONING - KALORI

FALKON KLIM FAI

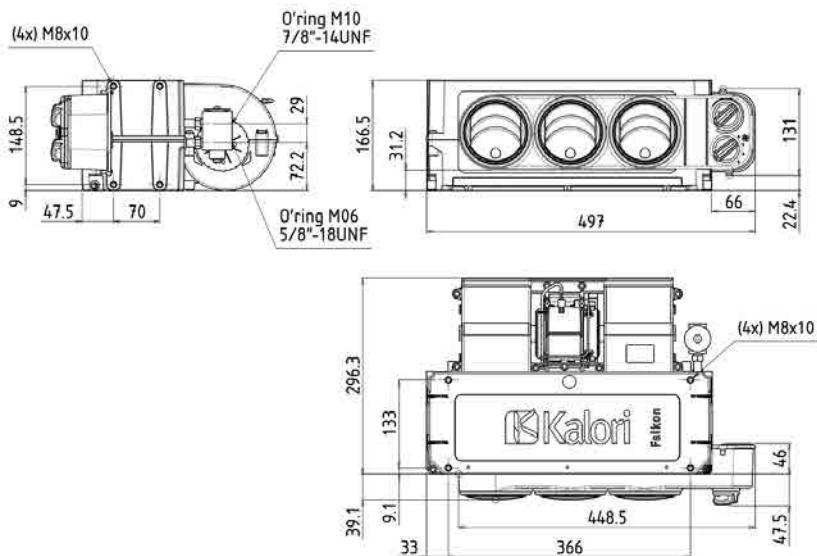
EVAPORATOR

- For economic, aesthetic installations in an ambulance or passenger vehicle.
- The installer uses a cut-out, leaving simply the white facade visible for a top-of-the-range appearance.
- The front panel is fitted with speed and temperature control switches.
- The FALKON can be replaced by the KOOL evaporator in airconditioning only versions or for a combi (heating & air conditioning). In the combi version the temperature is controlled by mixing heating and air conditioning.



Cooling output	9 kW
Airflow	725 m³/h
Electricity consumption	360 W
Ventilation speed	3

Voltage	Reference
12 V	83.0012.21.9038
24 V	83.0012.21.9138



AIR CONDITIONING - KALORI

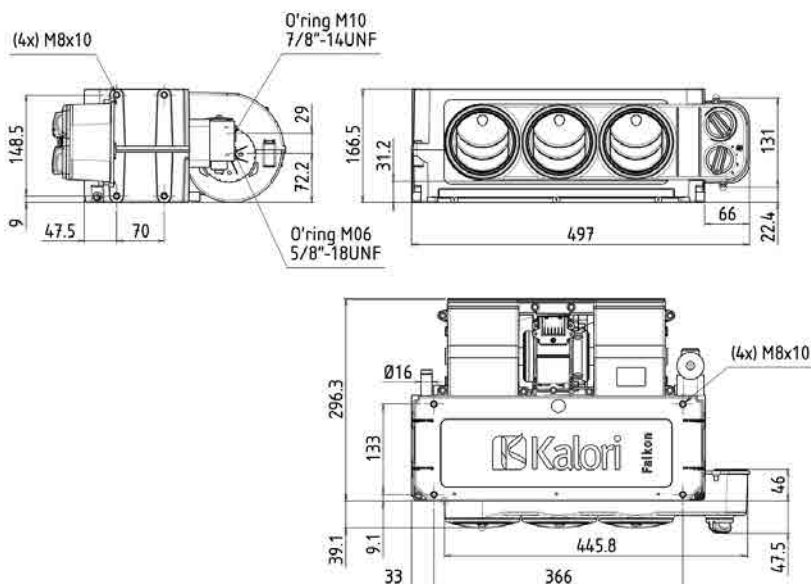
FALKON KOMBI FAI

EVAPORATOR - HEATER

- For economic, aesthetic installations in an ambulance or passenger vehicle
- The installer uses a cut-out, leaving simply the white facade visible for a top-of-the-range appearance.
- The front panel is fitted with speed and temperature control switches.
- The FALKON can be replaced by the KOOL evaporator in airconditioning only versions or for a combi (heating & air conditioning). In the combi version the temperature is controlled by mixing heating and air conditioning.

Heating power	10 kW
Cooling output	7.7 kW
Airflow	725 m³/h
Electricity consumption	360 W
Raccord eau / Water connection	Ø 16 mm
Ventilation speed	3

Voltage	Reference
Falkon Kombi E	
12 V	83.0012.21.9000
24 V	83.0012.21.9100
Falkon Kombi ED6 (Ø 55 mm)	
12 V	83.0012.21.9001
24 V	83.0012.21.9101
Falkon Kombi KC	
12 V	83.0012.21.9007
24 V	83.0012.21.9107



AIR CONDITIONING - KALORI

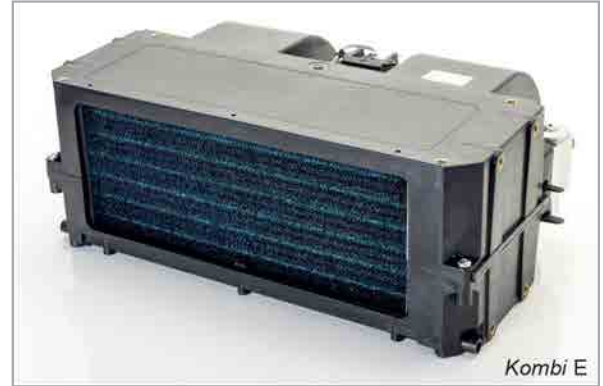
FALKON PLUS KOMBI

EVAPORATOR - HEATER

- Evaporator / heater for driver's cabin
- Optimized version of standard Falkon Kombi for more cooling output
- Also used for ambulances (numerous approvals)
- Extremely efficient for its compactness.
- Highly efficient and compact air conditioning system for a large cabin. Highly resistant to pressure losses, for optimum diffusion even through long ducts.

Heating power	10 kW
Cooling output	9 kW
Airflow	870 m³/h
Electricity consumption	430 W
Water connection	Ø 16 mm
Ventilation speed	3

Voltage	Reference	Min. operational pressure loss
Falkon Plus Kombi E		
12 V	83.0012.21.9032	200 Pa
24 V	83.0012.21.9132	—
Falkon Plus Kombi ED6 (Ø 55 mm)		
12 V	83.0012.21.9033	200 Pa
24 V	83.0012.21.9133	—
Falkon Plus Kombi KC		
12 V	83.0012.21.9034	200 Pa
24 V	83.0012.21.9134	—



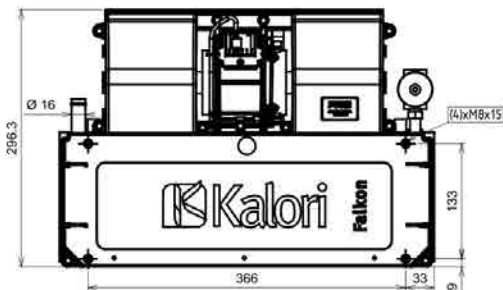
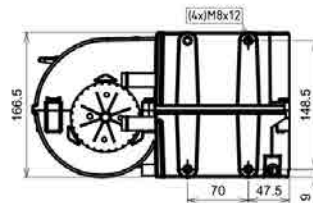
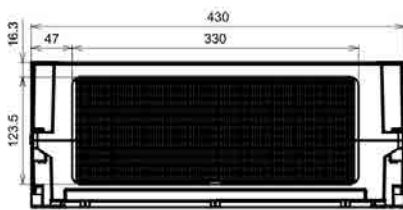
Kombi E



Kombi ED6



Kombi KC



- 1
- 1
- 2
- 3
- 4
- 5

AIR CONDITIONING - KALORI

HK EVO4 KLIM

EVAPORATOR

- A/C evaporator fitted with two radial ventilators.
- This evaporator has an unequalled height/power ratio.
- Designed to be fitted to large cabs.
- Also available for fitting to minibuses.

Cooling output	10.7 kW
Airflow	1300 m³/h
Electricity consumption	190 W
Ventilation speed	3

Voltage	Reference
12 V	83.0012.22.2002
24 V	83.0012.22.2102



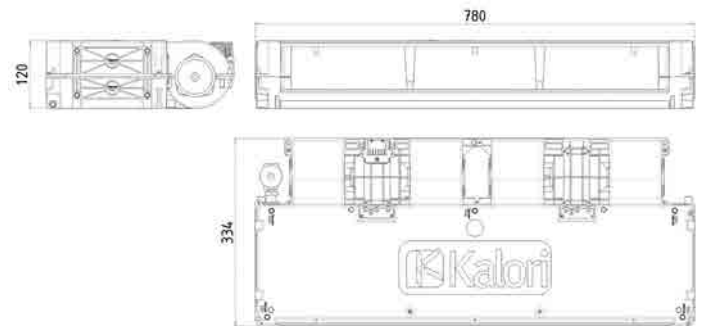
HK EVO4 KOMBI

EVAPORATOR - HEATER

- A/C evaporator fitted with two radial ventilators.
- Combi evaporator
- This evaporator has an unequalled height/power ratio, it is designed to be fitted to large cabs and is also available for fitting to minibuses.
- Also available in A/C evaporator versions

Heating power	9.5 kW
Cooling output	8.6 kW
Airflow	1300 m³/h
Electricity consumption	190 W
Water connection	Ø 16 mm
Ventilation speed	3

Voltage	Reference
12 V	83.0012.22.2001
24 V	83.0012.22.2101



AIR CONDITIONING - KALORI

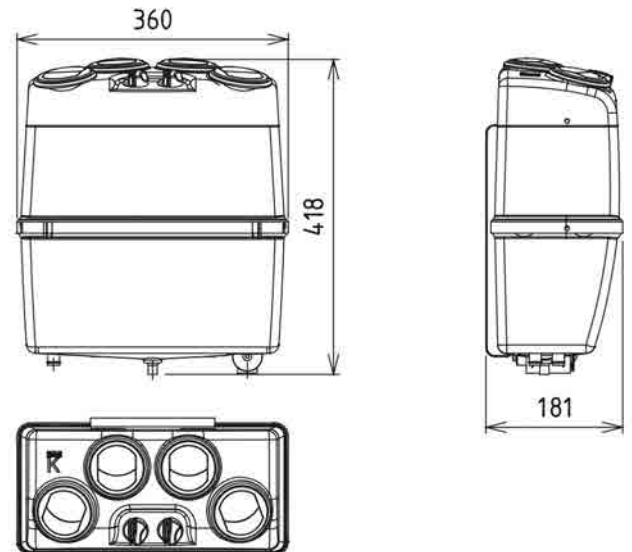
ARTIK XL

EVAPORATOR - HEATER

- Vertical HVAC unit for forklift truck, ambulance or van.
- Complete unit with ventilation and temperature control.

Heating Power	5 kW
Cooling output	4.5 kW
Airflow	500 m ³ /h
Electricity consumption	192 W
Water connection	Ø 16 mm
Ventilation speed	3
Color	Grey

Voltage	Reference
12 V	83.0012.20.0010
24 V	83.0012.20.0110



1

1

2

3

4

5

AIR CONDITIONING - KALORI

KLIMATOP

EVAPORATOR - HEATER

- Roof-mounted, mono-bloc evaporator heater/system

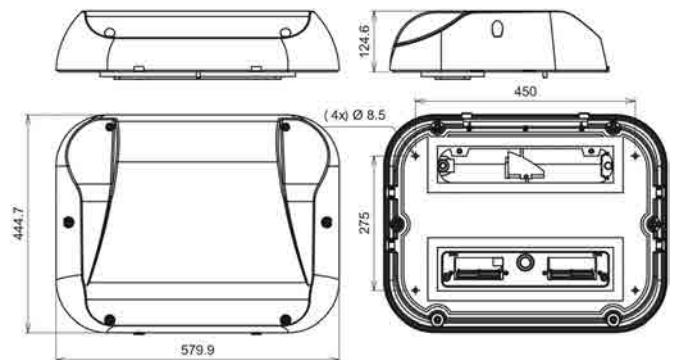
Klimatop Klim (Evaporator)	
Cooling output	5.5 kW
Airflow	595 m³/h
Electricity consumption	150 W
Ventilation speed	3

Voltage	Reference
Standard	
12 V	83.0012.21.6000
24 V	83.0012.21.6100
Rear connections	
12 V	83.0012.21.6003
24 V	83.0012.21.6103

Klimatop Kombi (HVAC)	
Heating Power	6 kW
Cooling output	5 kW
Airflow	560 m³/h
Electricity consumption	150 W
Water connection	Ø 16 mm
Ventilation speed	3

Voltage	Reference
Standard	
12 V	83.0012.21.6001
24 V	83.0012.21.6101
Rear connections	
12 V	83.0012.21.6002
24 V	83.0012.21.6102

Option: grey air diffuser with air filter	
Standard	
83.00.340.07.365	
Electronic control panel	
12 V	83.0034.00.7366
24 V	83.0034.00.7367



340.07.365

340.07.366

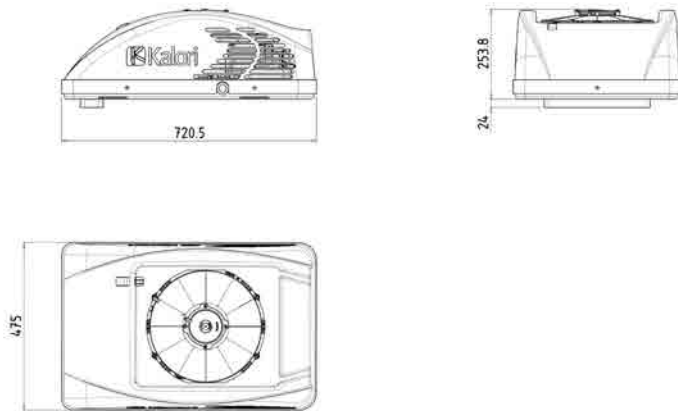
- 1
- 1
- 2
- 3
- 4
- 5

AIR CONDITIONING - KALORI

ELECTRIK

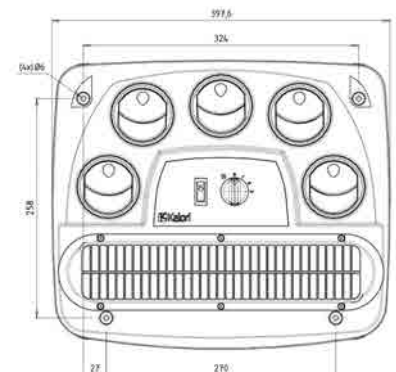
ROOF ELECTRICAL A/C UNIT

- Complete AC unit with electrical compressor
- This unit is ideal for small series or for a vehicle where it is impossible to
- Check the capacity of your alternator



Cooling output	305 kW
Airflow	440 m³/h
Electricity consumption	25 W
Ventilation speed	3
Finishing	White

Ventilation voltage	Compressor voltage	Reference	Electricity	Intensity consumption
12 V	12 V	83.0012.27.0000	950 W	79 A
24 V	24 V	83.0012.27.0100	1560 W	65 A
24 V	40-95 V	83.0012.27.0200	Depends on its use	Depends on its use



- 1
- 1
- 2
- 3
- 4
- 5

AIR CONDITIONING - KALORI

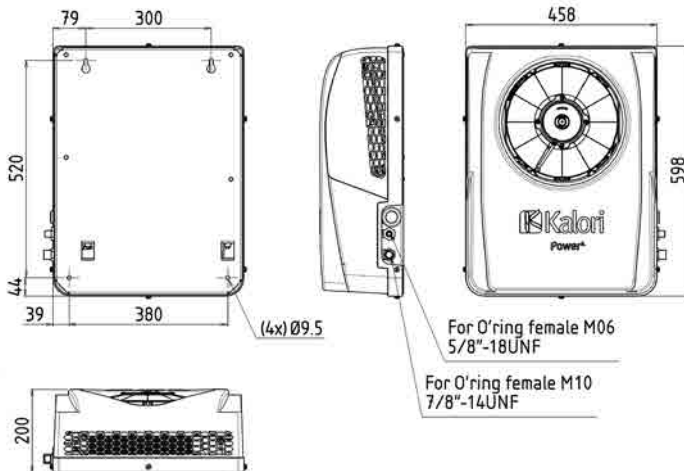
POWER K

CONDENSER UNIT

- Evaporator / heater for driver's cabin
- External condenser unit for a/c system
- Includes an electrical compressor, condenser and dehumidifier filter.
- This unit may be attached to a standard KALORI evaporator. To fit out an electrical vehicles, select a hybrid evaporator, which includes a classic evaporator and a PTR electrical heating element.
- Version for vertical installation
- Version for horizontal installation

Cooling output	3.5 kW
Weight	20 kg
Ventilation speed	3
Finish	White
Mounting position	Vertical

Ventilation voltage	Compressor voltage	Reference Reference	Electricity Intensity consumption
12 V	12 V	83.0012.60.0001	820 W
24 V	24 V	83.0012.60.0101	1500 W
24 V	40-95 V	83.0012.60.0200	1300 W



AIR CONDITIONING - KALORI

KANADA II KLIM

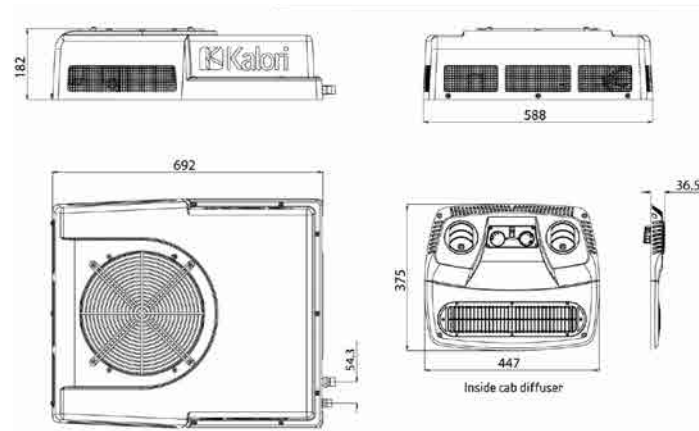
ROOFTOP UNIT

- Rooftop evaporator-condenser vehicle (also available in combi version – evaporator+heater)
- With integrated drier filter
- Can be connected to a standard or electrical compressor on an electrically-driven vehicle.

Cooling output	6 kW
Airflow	500 m³/h
Electricity consumption	330 W
Weight	19 kg
Ventilation speed	3
Finishing	White



Voltage	Reference
12 V	83.0012.21.4004
24 V	83.0012.21.4104
Grey optional air diffuser	
12 V	83.0034.00.7366
24 V	83.0034.00.7367



340.07.366



AIR CONDITIONING - KALORI

KANADA II KOMBI

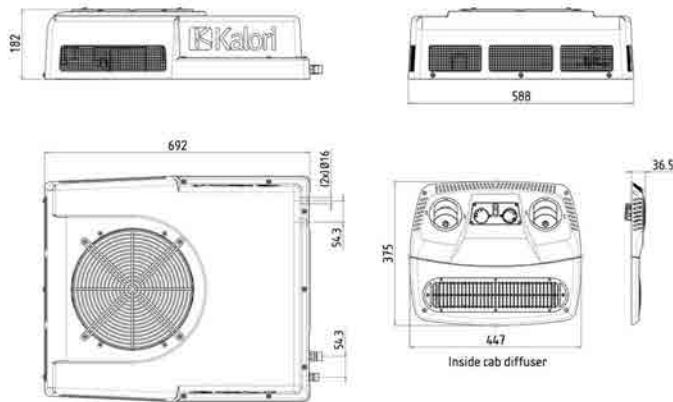
ROOFTOP UNIT

- Evaporator/heater - rooftop condenser (also available in airconditioning only)
- With integrated drier filter
It can be connected to a standard or electric compressor on an electrically-driven vehicle.

Heating power	6.6 kW
Cooling output	4.5 kW
Airflow	500 m³/h
Electricity consumption	330 W
Weight	19 kg
Water connection	Ø 16 mm
Ventilation speed	3
Finishing	White



Voltage	Reference
12 V	83.0012.21.4005
24 V	83.0012.21.4105
Grey optional air diffuser	
12 V	83.0034.00.7366
24 V	83.0034.00.7367



AIR CONDITIONING - KALORI

RK 12/RK 14 KLIM

ROOFTOP UNIT

- Air conditioning for minibus or ambulance
- The set includes the evaporator equipped with a single doubleflow blower, a condenser and the drier filter
- For air diffusion - ask for details
- A version with electronic temperature settings may be available on request
- This unit is also available in a combi version (evaporator+heater)

RK 12 KLIM

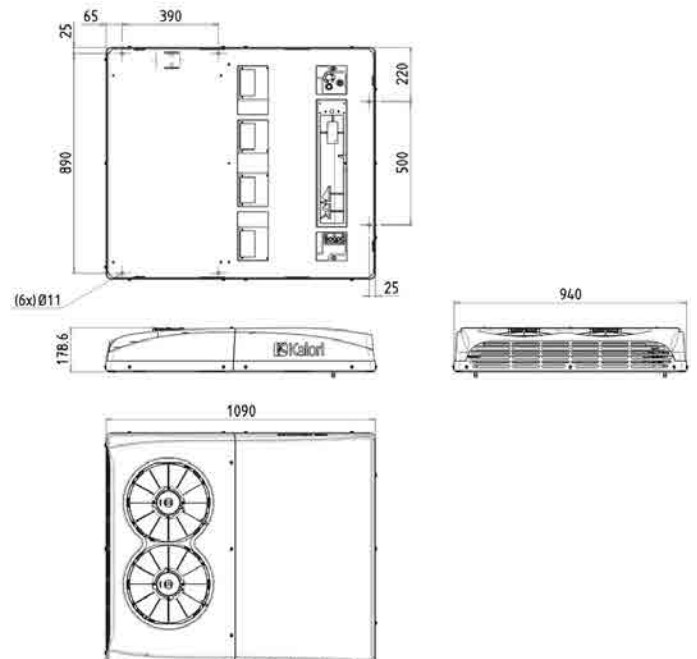
Cooling output	11.5 kW
Airflow	950 m ³ /h
Electricity consumption	650 W
Ventilation speed	3

Voltage	Reference
12 V	83.0012.25.0001
24 V	83.0012.25.0201

RK 14 KLIM

Cooling output	13.5 kW
Airflow	1380 m ³ /h
Electricity consumption	650 W
Ventilation speed	3

Voltage	Reference
12 V	83.0012.26.0001
24 V	83.0012.26.0101



1

1

2

3

4

5

AIR CONDITIONING - KALORI

RK 12/RK 14 KOMBI

ROOFTOP UNIT

- Air conditioning / heater for minibus or ambulance
- The set includes the evaporator, equipped with a double blower (RK12) or 2 double blowers (RK14), the condenser and the drier filter
- For air diffusion versions - ask for details
- A version with electronic temperature regulation may be available on request
- This unit is also available in an air conditioning version

RK 12 KOMBI

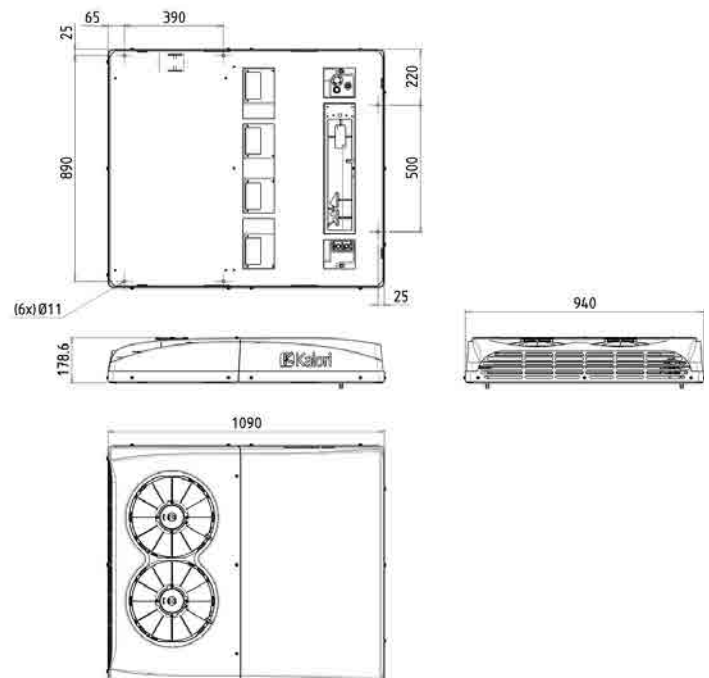
Heating power	15 kW
Cooling output	11.5 kW
Airflow	950 m³/h
Electricity consumption	650 W
Water connection	Ø 16 mm
Ventilation speed	3

Voltage	Reference
12 V	83.0012.25.0003
24 V	83.0012.25.0203

RK 14 KOMBI

Heating power	19 kW
Cooling output	13.5 kW
Airflow	1380 m³/h
Electricity consumption	920 W
Water connection	Ø 16 mm
Ventilation speed	3

Voltage	Reference
12 V	83.0012.26.0003
24 V	83.0012.26.0203



AIR CONDITIONING - KALORI

DIFFUSEUR RK

ROOFTOP UNIT

- Air diffuser for a van or a minibus

RK 12 AIR DIFFUSER

- Diffuser without air recycling

Reference	Color
83.0034.01.7011	Black



340.17.011

RK 12/RK 14 AIR DIFFUSER

- Air diffuser with 2 recycling grilles and filter
- The filter can be replaced without any tooling

Reference	Color
83.0034.00.3014	Black



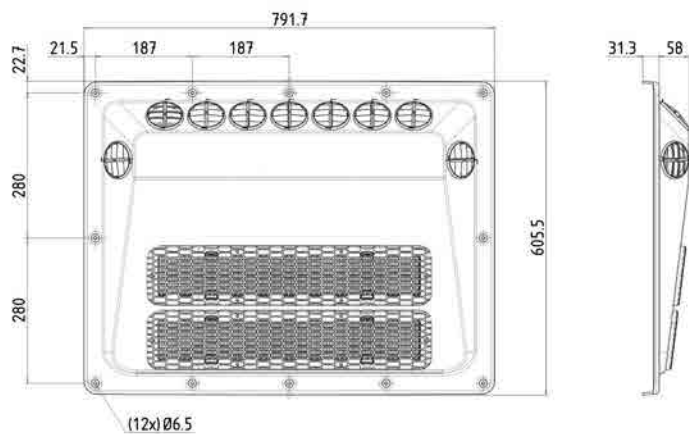
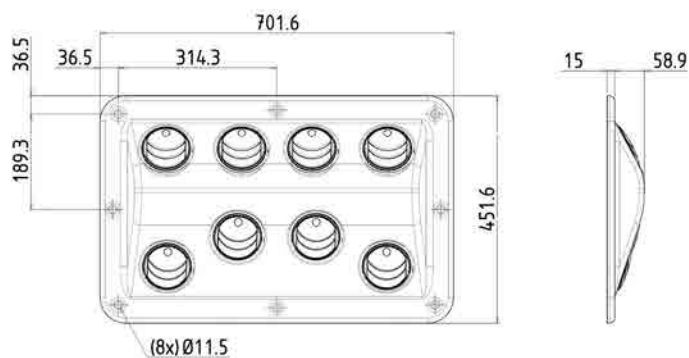
340.17.011



340.03.414



340.03.414



AIR CONDITIONING - KALORI

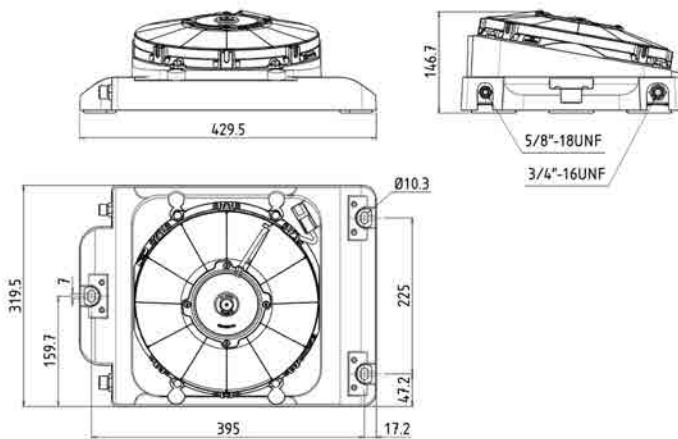
KD 5

VENTILATED CONDENSER

- Extremely compact condenser with fan, including a drier filter.

Dissipated power	5 kW
Electricity consumption	90 W

Voltage	Reference
12 V	83.0012.30.0041
24 V	83.0012.30.0141



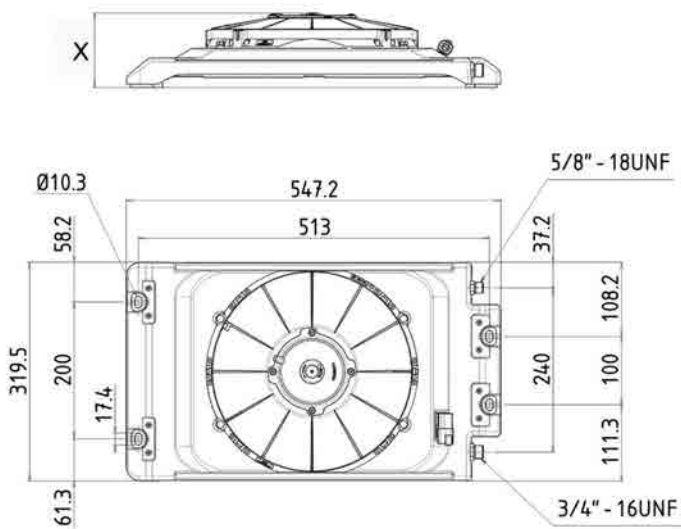
AIR CONDITIONING - KALORI

KD 5.5 & 6

VENTILATED CONDENSER

- Ventilated parallel flow condenser

Voltage	Reference	Dissipated power	Electricity consumption
KD 5.5			
12 V	83.0012.30.0024	5.5 kW	110 W
24 V	83.0012.30.0124		
KD 6			
12 V	83.0012.30.0027	6 kW	120 W
24 V	83.0012.30.0127		



AIR CONDITIONING - KALORI

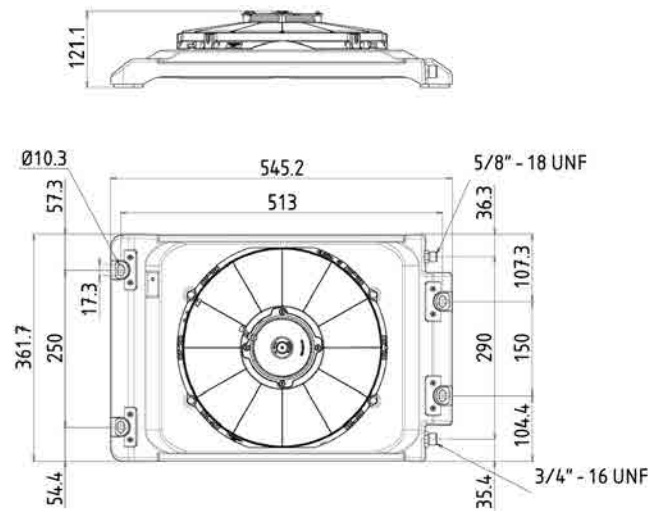
KD 7.5

VENTILATED CONDENSER

- Ventilated parallel flow condenser

Dissipated power	7.5 kW
Electricity consumption	110 W

Voltage	Reference
12 V	83.0012.30.0026
24 V	83.0012.30.0126



AIR CONDITIONING - KALORI

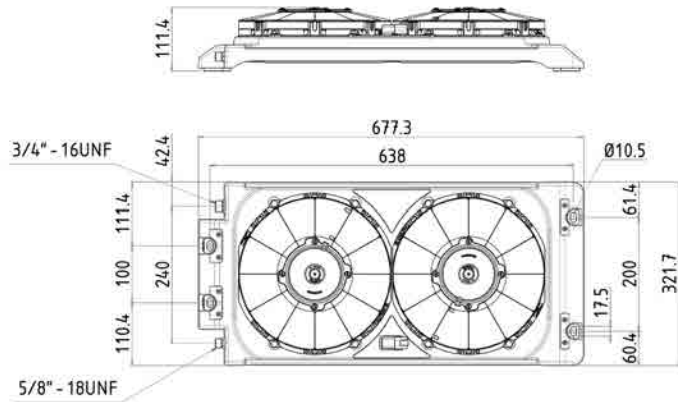
KD DOUBLE 7.5

VENTILATED CONDENSER

- Ventilated parallel flow condenser

Dissipated power	7.5 kW
Electricity consumption	228 W

Voltage	Reference
12 V	83.0012.30.0025
24 V	83.0012.30.0125



AIR CONDITIONING - KALORI

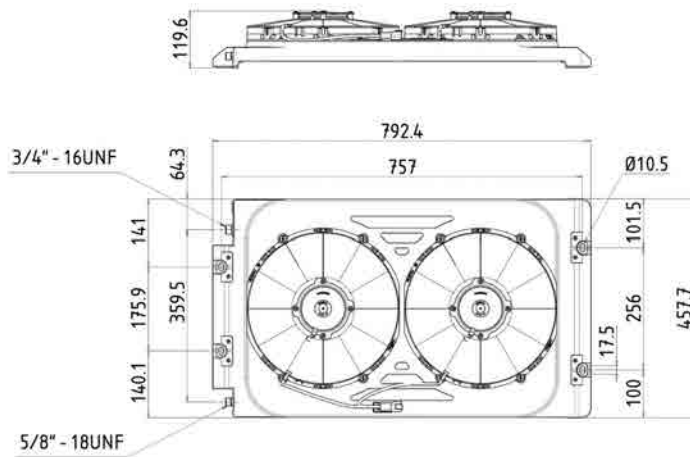
KD 14

VENTILATED CONDENSER

- Ventilated parallel flow condenser

Dissipated power	14 kW
Electricity consumption	230 W

Voltage	Reference
12 V	83.0012.30.0023
24 V	83.0012.30.0123



AIR CONDITIONING - KALORI

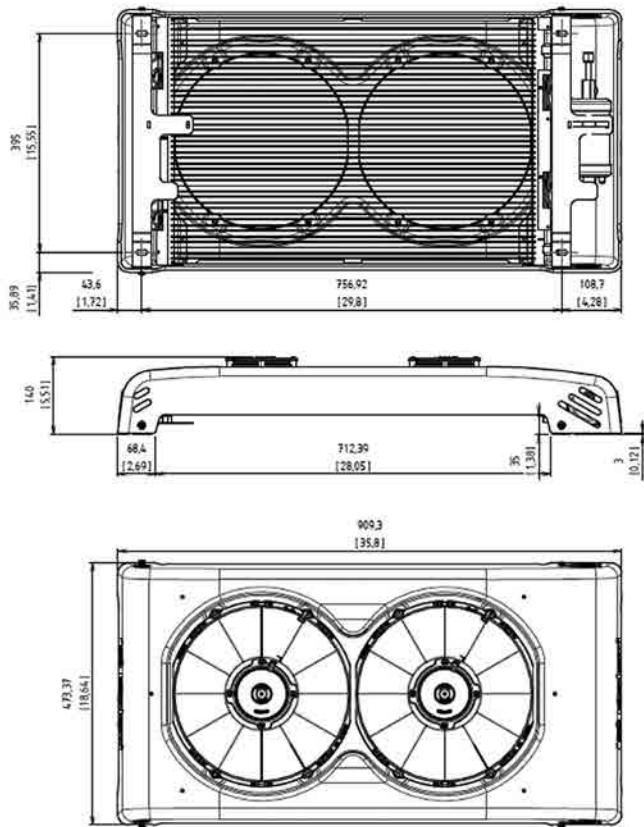
KONDOR 15

VENTILATED CONDENSER

- Ventilated parallel flow condenser including trinitary pressure switch and integrated dryer filter.
- Equipped with sealed connectors.

Dissipated power	15 kW
Electricity consumption	230 W

Voltage	Reference
12 V	830.0123.00.0510
24 V	830.0123.00.1510



- 1
- 1
- 2
- 3
- 4
- 5

AIR CONDITIONING - KALORI

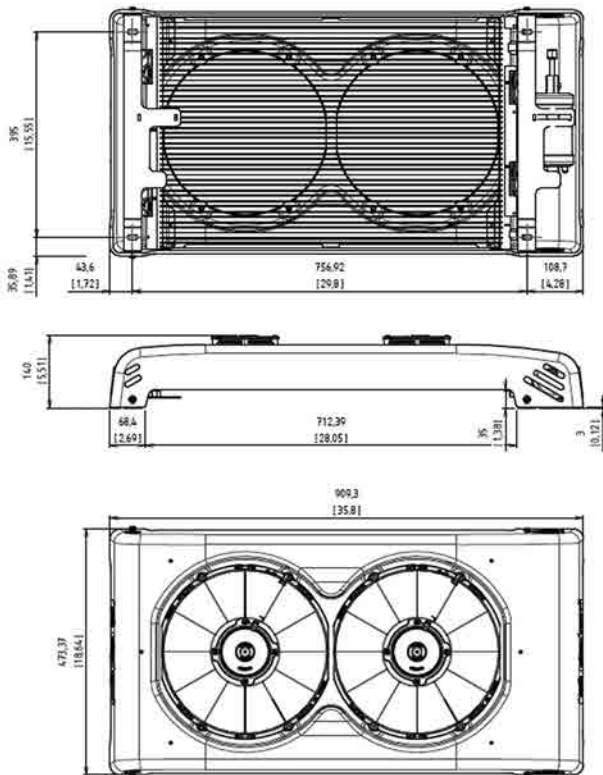
KD 10

VENTILATED CONDENSER

- Ventilated parallel flow condenser

Dissipated power	35,827.49 BTU/Hr
Electricity consumption	767,731.87 BTU/Hr

Voltage	Reference
12 V	830.0123.00.0510
24 V	830.0123.00.1510



AIR CONDITIONING - KALORI

SH COMPRESSOR

AIR CONDITIONING ACCESSORIES

Voltage	Reference	Capacity	Cooling capacity	Voltage range
12 V	83.0070.00.8320	18 CC	2,2 kW	DC 10 V - 16 V
24 V	83.0070.00.8321	24 CC	4 kW	DC 20 V - 31 V



1

1

2

3

4

5

AIR CONDITIONING - KALORI

STANDARD DRIER FILTERS

AIR CONDITIONING ACCESSORIES

Male/Male vertical filter

Body Ø	Reference	Height	Thread Ø	For
O-RING "V" M/M				
64 mm	83.0070.00.4005	200 mm	5/8" - 18 UNF	Female high pressure switch
76 mm	83.0070.00.4001	230 mm	5/8" - 18 UNF	Female high pressure switch



Male/Female vertical filter

Body Ø	Reference	Height	Thread Ø	For
O-RING "V" M/F				
64 mm	83.0070.00.4003	200 mm	5/8" - 18 UNF	Female high pressure switch



Male/Male horizontal filter

Body Ø	Reference	Height	Thread Ø	For
O-RING "V" M/M				
80 mm	83.0070.00.4002	260 mm	5/8" - 18 UNF	Male high pressure switch
80 mm	83.0070.00.4006	260 mm	5/8" - 18 UNF	Female high pressure switch



Support / Bracket



Body Ø	Reference
76 mm	83.0070.00.4200



Body Ø	Reference
64 mm	83.0070.00.4301



Body Ø	Reference
76 mm	83.0070.00.4201

AIR CONDITIONING - KALORI

AIR CONDITIONING ACCESSORIES

1/4" Female binary pressure switch



Reference	Lp Pressure	Hp Pressure	Thread Ø
83.0070.00.2002	2 bar	25 bar	7/16" - 20 UNF
83.0070.00.2005		27 bar	

3/16" Male trinary pressure switch



Reference	Lp Pressure	Mp Pressure	Hp Pressure	Thread Ø
83.0070.00.2001	2 bar	15 bar	27 bar	3/8" - 24 UNF

3/16" Male binary pressure switch



Reference	Lp Pressure	Hp Pressure	Thread Ø
83.0070.00.2003	2 bar	25 bar	3/8" - 24 UNF

Female binary low pressure switch



Reference	BP / Lp Pressure	MP / Hp Pressure	Thread Ø
83.0070.00.2004	0.4 bar	2 bar	3/8" - 24 UNF
83.0070.00.2006	0.35 bar	2.1 bar	7/16" - 20 UNF

1/4" Female trinary pressure switch



Reference	Lp Pressure	Mp Pressure	Hp Pressure	Thread Ø
83.0070.00.2002	2 bar	15 bar	27 bar	7/16" - 20 UNF

1

1

2

3

4

5

AIR CONDITIONING - KALORI

AIR CONDITIONING ACCESSORIES

1.5t Screw-fit expansion valve



Reference	83.0070.00.1002
-----------	-----------------

2t Screw-fit expansion valve



Reference	83.0070.00.1001
-----------	-----------------

1.5t Flanged expansion valve



Reference	83.0070.00.1103
-----------	-----------------

2t Flanged expansion valve



Reference	83.0070.00.1000
-----------	-----------------

Flange on evaporator side



Reference	83.0070.00.1100
-----------	-----------------

Flange on hose side

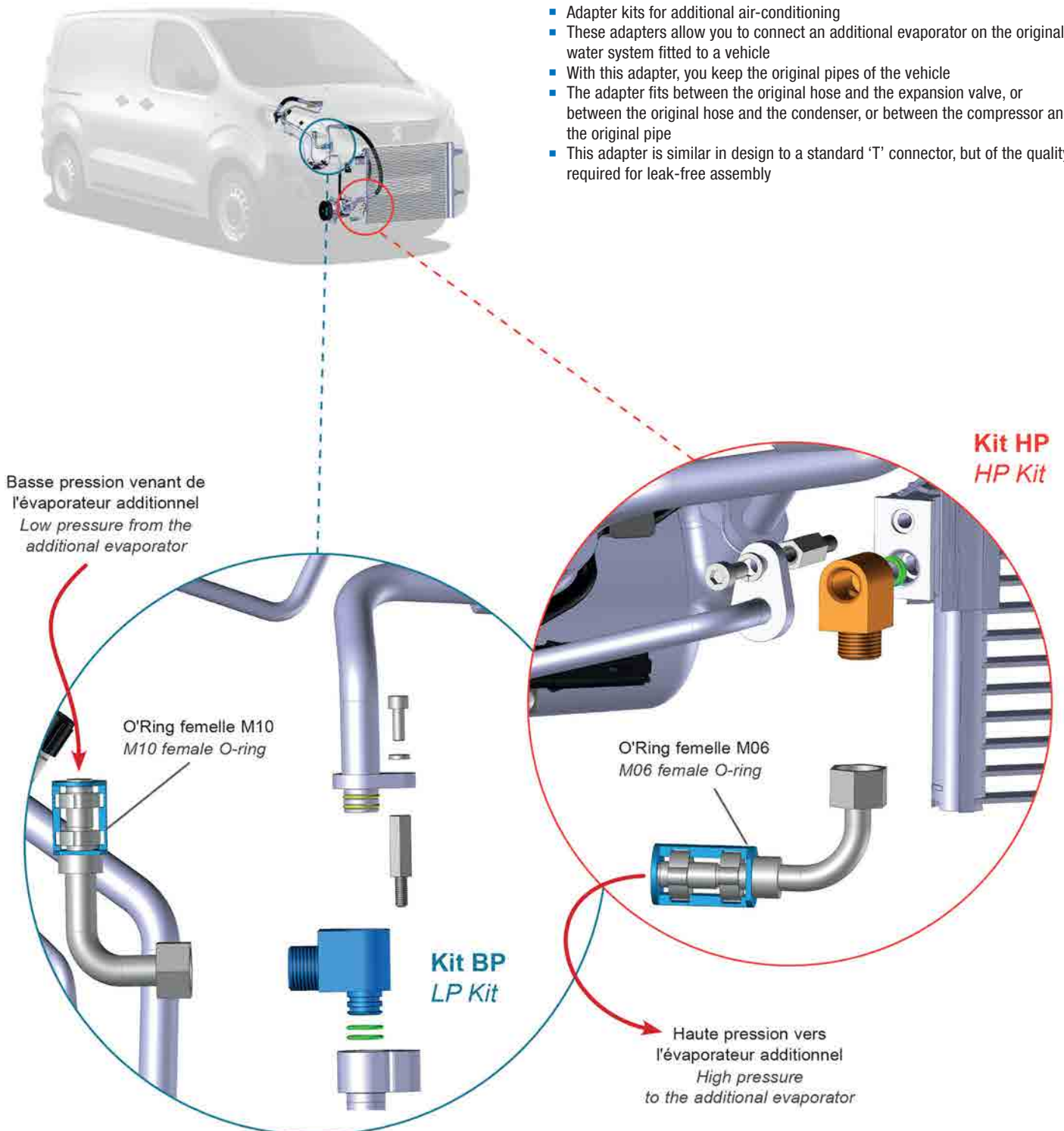


Reference	83.0070.00.1177
-----------	-----------------

AIR CONDITIONING - KALORI

ADAPTER KIT FOR ADDITIONAL EVAPORATOR

- Adapter kits for additional air-conditioning
- These adapters allow you to connect an additional evaporator on the original water system fitted to a vehicle
- With this adapter, you keep the original pipes of the vehicle
- The adapter fits between the original hose and the expansion valve, or between the original hose and the condenser, or between the compressor and the original pipe
- This adapter is similar in design to a standard 'T' connector, but of the quality required for leak-free assembly



AIR CONDITIONING - KALORI

ADAPTER KIT FOR ADDITIONAL EVAPORATOR

Mercedes Sprinter adapter kit

- Adapter kit on original hoses for Mercedes Sprinter and Volkswagen Crafter

Reference	83.0070.00.1274
-----------	-----------------



Mercedes Vito & Class V adapter kit

- HP and BP adapters

Reference	83.0070.00.1282
-----------	-----------------



AIR CONDITIONING - KALORI

ADAPTER KIT FOR ADDITIONAL EVAPORATOR

Dodge Promaster rear pre-fit option adapter kit

- HP and LP adapters for Dodge Promaster

Reference	83.0070.00.1168
-----------	-----------------



Dodge Promaster expansion valve adapter kit

- Expansion valve adapter for Dodge Promaster

Reference	83.0070.00.1176
-----------	-----------------



1

1

2

3

4

5

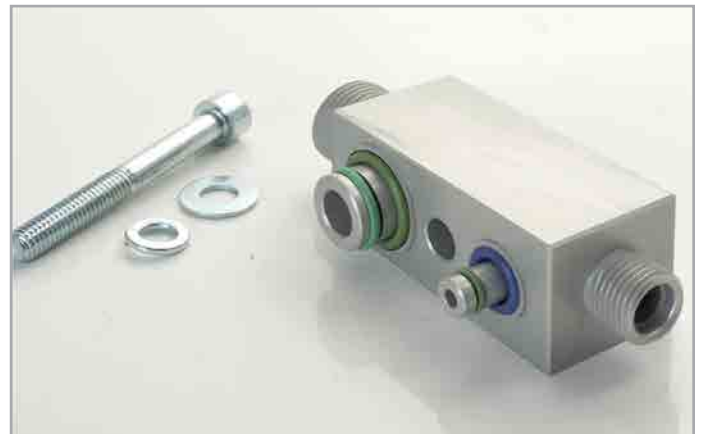
AIR CONDITIONING - KALORI

ADAPTER KIT FOR ADDITIONAL EVAPORATOR

V363, Custom V362 & Connect Ford Transit Custom adapter kit

- Expansion valve adapter kit for Ford Transit Custom

Reference	83.0070.00.1272
-----------	-----------------



Dodge Promaster City

- Expansion valve adapter kit for Dodge Promaster City Combo Cargo

Reference	83.0070.00.1217
-----------	-----------------



Semi-hermetic electric compressor and 10S15 & 17C Denso adapter kit

Reference	83.0070.00.1250
-----------	-----------------



AIR CONDITIONING - KALORI

AIR CONDITIONING ACCESSORIES

REGULATION

Standard mechanical thermostat



Reference	83.0070.00.3000
-----------	-----------------

Electronic adjustable thermostat



With: - temperature sensor - 6 pin connector + pins

Consumption / Consumption	4 A
---------------------------	-----

Voltage	Reference	Version
2 bar	83.0070.01.1.200	With adjustment axle
	83.0070.01.1.201	Internal adjustment

Air-conditioning solenoid



Voltage	Reference	Consumption
12 V	83.0070.00.3050	0.85 A
24 V	83.0070.00.3051	0.52 A

Electronic cooling and heating control



Voltage	Reference	Consumption
12 V - 24 V	83.0070.01.1002	4 A

- 1
- 1
- 2
- 3
- 4
- 5

PRESSURIZATION - KALORI

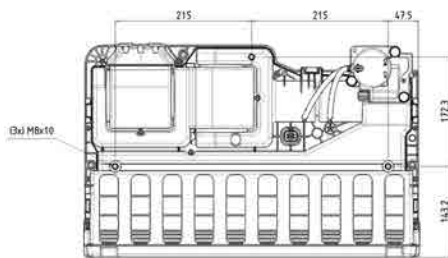
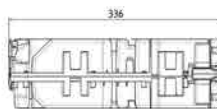
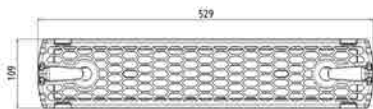
K PROTEC

EVAPORATOR

- The 'K Protec' is a pressurization system compliant with EN 15695.
- It guarantees a minimum overpressure of 20 Pa and a minimum fresh airflow of 30 m³/h
- Supplied with a Ø55 straight air connector and a Ø55 90° air connector

Airflow	30 to 90 m ³ /h
Electricity consumption	50 W

Voltage	Reference	Cab pressure sensor	Air filter type
Version 4			
12 V	83.0012.17.0000	Electronic	4
24 V	83.0012.17.0100		
12 V	83.0012.17.0002	Mechanical	
24 V	83.0012.17.0102		
Version 2			
12 V	83.0012.17.0001	Mechanical	2
24 V	83.0012.17.0101		



- 1
- 1
- 2
- 3
- 4
- 5

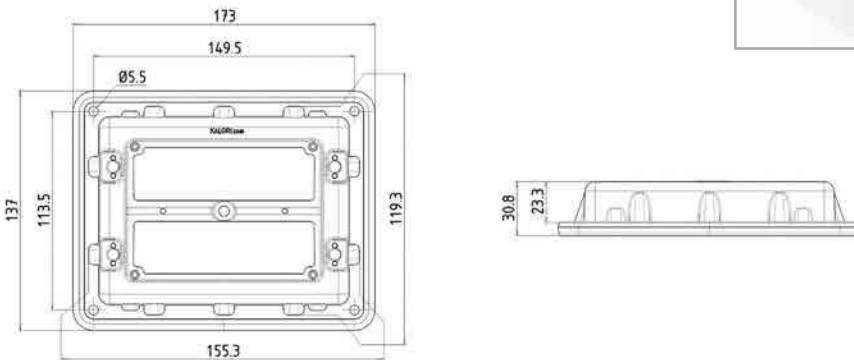
PRESSURIZATION - KALORI

PRESSURIZATION

Overpressure valve for pressurized cabin

- Guarantees easy closure of the doors by quickly releasing the pressure created by the rapid closure of a door.
- The valves then close to protect the cab against particles and allow pressurization of the cabin up to 100 Pa. The valve can be calibrated for other pressures on request.
- Depending on the size of the door, several valves may be required (generally 2)

Reference	83.0034.00.8068
-----------	-----------------

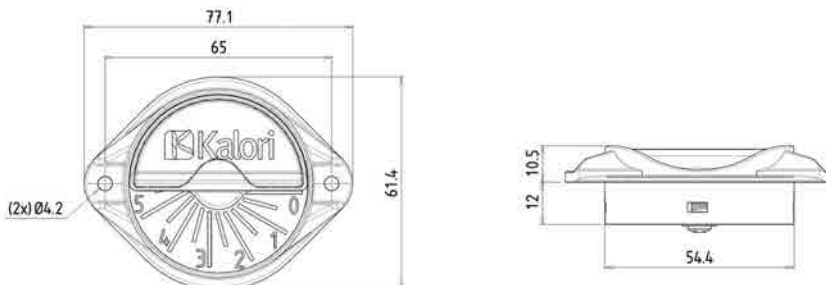


Leak generator

Controlled leak generator for pressurized cabins: Cabins are increasingly airtight, sometimes with a regulatory 30 m³/h airflow (EN15695), the internal cabin pressure is too high. Install the glove box shutter, connect PCK control panel with the PCK management software, enter the desired value of 30 m³/h on your screen, and adjust the louver opening until you get 20Pa pressure. That's all; your cabin complies strictly to standard EN15695 values! A device to use for end of vehicle production controls!

Material	PA 6.6 + GB30
----------	---------------

Reference	83.0034.00.8068
-----------	-----------------



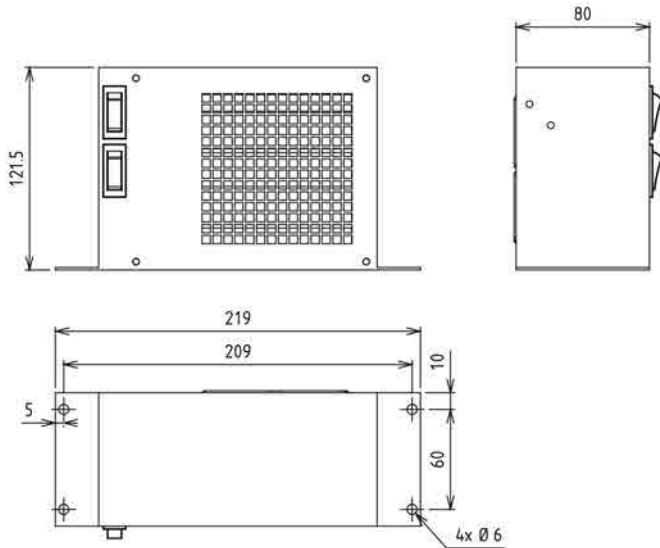
Can be fitted with connectors of Ø 50 mm, Ø 40 mm, Ø 20 mm

ELECTRIC HEATERS - KALORI

MINIKELEC

ELECTRIC HEATER

- Electric heater with secured PTC element, can be used to ventilate without heating
- Small volume
- This heater is ideal for forklift truck or other electric vehicles

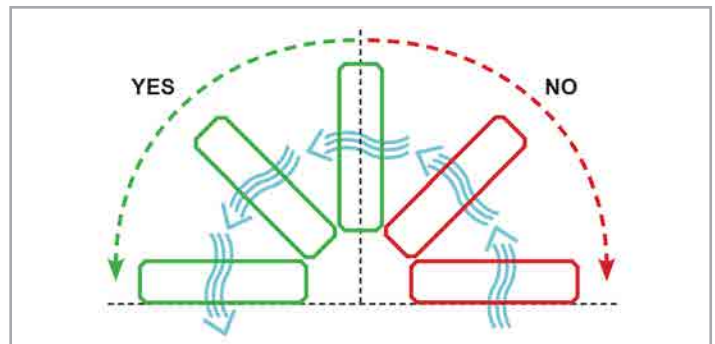


Airflow	70 m ³ /h
Noise level	48 dB
Weight	1.45 kg

Heating element voltage	Ventilation	Reference	Electrical consumption	Electrical power
80 V	12 V	83.0012.23.0300	12 A	900 W
48 V	12 V	83.0012.03.0310	20 A	900 W
24 V	24 V	83.0012.03.0320	32 A	750 W
12 V	12 V	83.0012.03.0330	35 A	420 W

Recommendation: Heater must be protected against humidity and dust - fit an air filter upstream of the inlet fan.

Installation instructions:



The heating unit must not be installed with the airflow directed upwards.

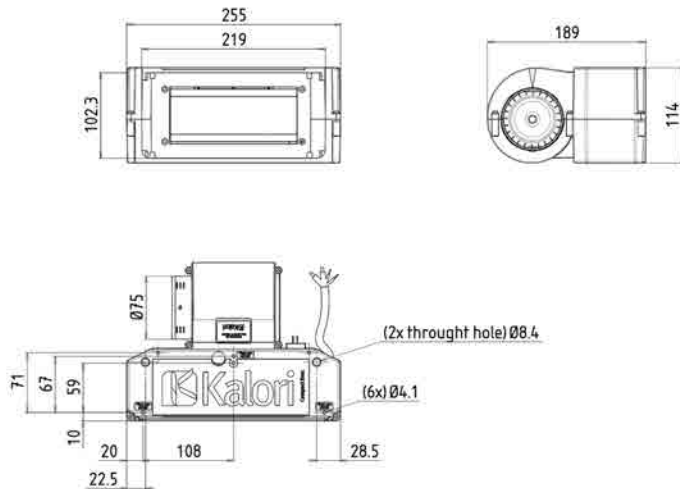
- 1
- 2
- 3
- 4
- 5

ELECTRIC HEATERS - KALORI

KELEC EVO1 E

ELECTRIC HEATER

- Existe en version aérotherme à circulation d'eau
- Electric heater with secured PTC element
- Equipped with a safety thermal switch
- Other power levels available on request
- Can be equipped with the air diffusion plenums available from this catalogue (Air Diffuser ED2/ED3 - Page 118) & (Air Diffuser - Page 119)
- Ducts can be fitted to the fan side to draw in air from outside the vehicle, for example.
- Available in a water heater version



Recommendation: Heater must be protected against humidity and dust - install an air filter upstream of the fan inlet.

Airflow	230 m ³ /h
Noise level	63 dB
Weight	3 kg

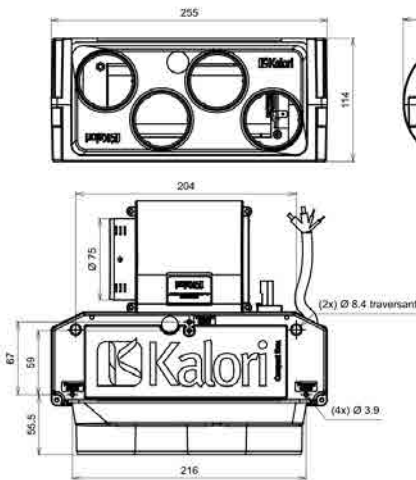
Heating element voltage	Ventilation	Reference	Electrical consumption	Electrical power
24 V	12 V	83.0012.03.3100	71 A	1700 W
48 V		83.0012.03.3200	36 A	
80 V		83.0012.03.3300	22 A	
24 V	24 V	83.0012.03.3400	74 A	
48 V		83.0012.03.3500	36 A	
80 V		83.0012.03.3600	22 A	
80 V		83.0012.03.3610	11 A	850 W
48 V	48 V	83.0012.03.3700	36 A	1700 W

ELECTRIC HEATERS - KALORI

MINIKELEC

ELECTRIC HEATER

- Electric heater with secured PTC element
- Equipped with a safety thermal switch
- Other power levels available on request
- Use Ø55mm ducts and Kalori air distribution louvers on the four front-panel connectors.
- The outlets may be stopped if necessary
- One side of the fan may be ducted to supply fresh air from outside, for example
- A front panel with motorized or cable-controlled flaps is also available from the Catalogue, See Pagepage 119
- Available in a water heater version



ED4



G

Recommendation: Heater must be protected against humidity and dust - install an air filter upstream of the inlet fan.

Airflow	230 m³/h
Noise level	63 dB
Ventilation speed	3 kg

Heating element voltage	Ventilation	Reference	Electrical consumption	Electrical power
Kelec EV01 ED4 (Ø 55 mm)				
24 V	12 V	83.0012.03.3101	71 A	1700 W
48 V		83.0012.03.3201	36 A	1700 W
48 V		83.0012.03.3211	18 A	850 W
80 V		83.0012.03.3301	22 A	1700 W
80 V	24 V	83.0012.03.3311	11 A	850 W
24 V		83.0012.03.3401	74 A	1700 W
24 V		83.0012.03.3411	39 A	850 W
80 V		83.0012.03.3601	22 A	1700 W
Kelec EV01 G				
24 V	24 V	83.0012.03.3402	74 A	1700 W
80 V		83.0012.03.3602	22 A	
80 V	12 V	83.0012.03.3302	11 A	850 W

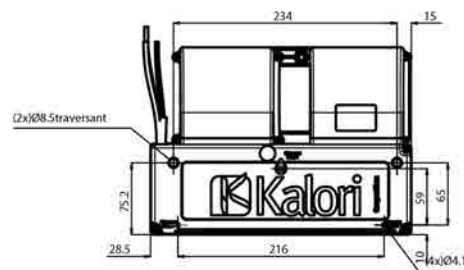
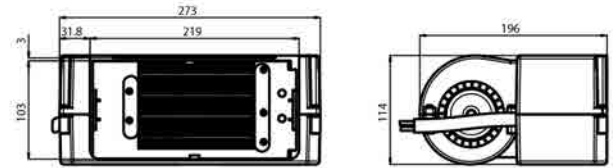
1
1
2
3
4
5

ELECTRIC HEATERS - KALORI

KELEC EVO2 E

ELECTRIC HEATER

- Electric heater with secured PTC heater element
- Equipped with 2 double fans for improved airflow, along with a safety thermal switch
- Other power levels available on request
- Available in a water heater version



Recommendation: Heater must be protected against humidity and dust - install an air filter upstream of the inlet fan.

Airflow	350 m ³ /h
Noise level	65 dB
Ventilation speed	3

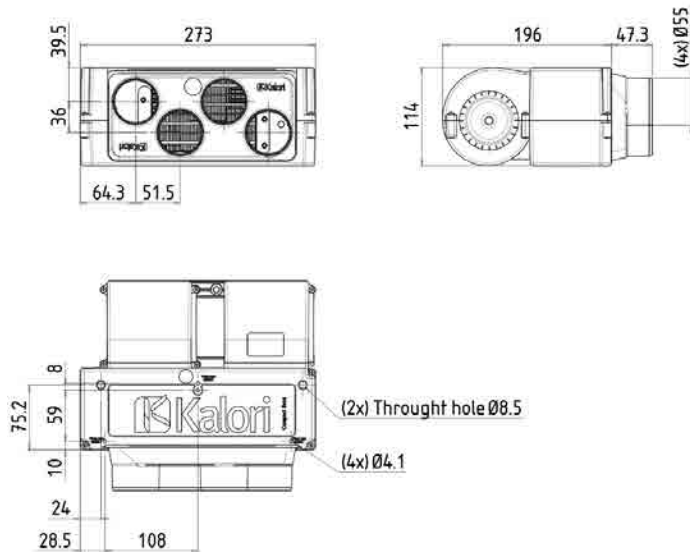
Heating voltage	Ventilation voltage	Reference	Electrical consumption	Electrical power
24 V	24 V	83.0012.03.4100	71 A	1700 W
48 V		83.0012.03.4200	36 A	1700 W
80 V		83.0012.03.4300	22 A	1700 W
24 V	24 V	83.0012.03.4400	74 A	1700 W
48 V		83.0012.03.4500	36 A	1700 W
80 V		83.0012.03.4600	22 A	1700 W
80 V		83.0012.03.4610	11 A	850 W
300 V		83.0012.03.4650	7 A	2200 W

ELECTRIC HEATERS - KALORI

KELEC EVO2

ELECTRIC HEATER

- Electric heater with secured PTC heater element
- Equipped with 2 double fans for increased airflow, along with a safety thermal switch
- Other power levels available on request
- Use Ø55mm ducts and Kalori air distribution louvers on the four front connectors
- Connectors may be stopped if necessary
- A motorized or cable-controlled front panel is also available from this catalogue - See Ppage 119
- Available in a water heater version



Airflow	350 m³/h
Noise level	65 dB
Ventilation speed	3

Recommendation : Heater must be protected against humidity and dust - install an air filter upstream of the inlet fan.

Heating voltage	Ventilation voltage	Reference	Electrical consumption	Electrical power
Kelec EVO2 ED4 (Ø 55 mm)				
24 V	24 V	83.0012.03.4101	71 A	1700 W
48 V		83.0012.03.4201	36 A	1700 W
48 V		83.0012.03.4211	18 A	850 W
80 V		83.0012.03.4301	22 A	1700 W
80 V	24 V	83.0012.03.4311	11 A	850W
80 V	24 V	83.0012.03.4601	22 A	1700 W
120 V	12 V	83.0012.03.4401	18 A	2200 W
24 V	24 V	83.0012.03.4404	74 A	1700 W
24 V		83.0012.03.4411	39 A	850 W
Kelec EVO2 ED4 (Ø 55 mm)				
24 V	24 V	83.0012.03.4405	74 A	1700 W
80 V		83.0012.03.4602	22 A	1700 W
300 V	12 V	83.0012.03.4302	22 A	1700 W



ELECTRIC HEATERS - KALORI

ED2/ED3 AIR DIFFUSER

HEATING ACCESSORIES

- Diffuser outlet panels suitable for Kelec Evo1 and Evo2, Compact Evo1 and Evo2 heaters
- They can be easily installed, without tools, into the two lateral slides on the heater, a clip holds them securely
- Several \varnothing of couplings can be used, for various \varnothing of duct on ED2 diffuser outlets
- These fittings do not require collars to hold in place the ducts



\varnothing screw-fit connector	Reference	Version
60 mm	83.0034.00.7981	ED3 front
-	83.0034.00.7980	Face ED2 front without connector
60 mm	83.0034.00.8357	Chose your connectors to screw on to the ED2 air diffuser
65 mm	83.0034.00.8358	
70 mm	83.0034.00.8359	
75 mm	83.0034.00.8360	
-	83.0034.00.7982	ED3 front without connector
40 mm	83.0034.00.8340	Chose your connectors to screw on to the ED3 air diffuser
45 mm	83.0034.00.8345	
50 mm	83.0034.00.8350	
55 mm	83.0034.00.8355	
55 mm / 90°	83.0034.00.8356	



ED2 avec raccords / ED2 with connectors

Screw	
3,5 x 12 screw	83.0034.00.5087



ELECTRIC HEATERS - KALORI

AIR DEFFUSER

HEATING ACCESSORIES

- Diffuser outlets suitable for Kelec Evo1 and Evo2, Compact Evo1 and Evo2 heaters
- They can be easily installed, without tools, using the two lateral slides on the heater, a clip holds them securely

Reference	Version
83.0034.00.7432	G
83.0034.00.3412	KC
83.0034.00.7392	ED4 (Ø 55 mm)
83.0034.00.7979	Ø 100 mm
83.0034.00.7095	ED4 (Ø 55 mm) with flaps



1

1

2

3

4

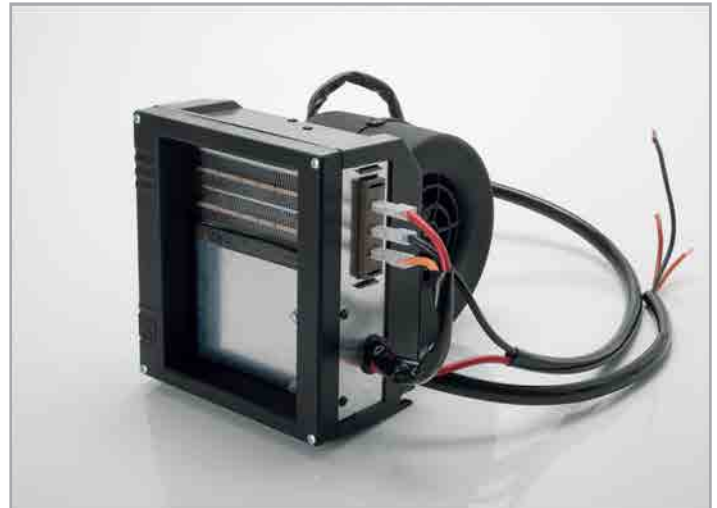
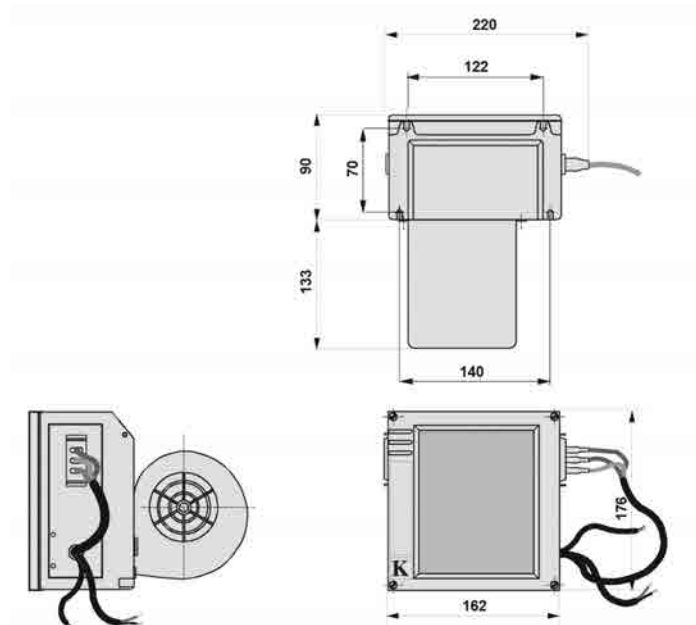
5

ELECTRIC HEATERS - KALORI

AK ELEC

ELECTRIC HEATER

- Electric heater with secured PTC resistance
- It is equipped with a safety thermal switch
- Other powers can be available on request
- 2 heating powers controlled by an integrated relay
- Available in a water heater version



Recommendation: Heater must be protected against humidity and dust - install an air filter upstream of the inlet fan.

Airflow	70 m ³ /h
Noise level	48 dB
Weight	1.45 kg
Ventilation speed	3

Resistance voltage	Ventilation voltage	Reference	Electrical consumption	Electrical power
24 V	24 V	83.0012.03.0200	600 W	1200 W
48 V	12 V	83.0012.03.0201	800 W	1400 W
72 V	12 V	83.0012.03.0202	780 W	1240 W

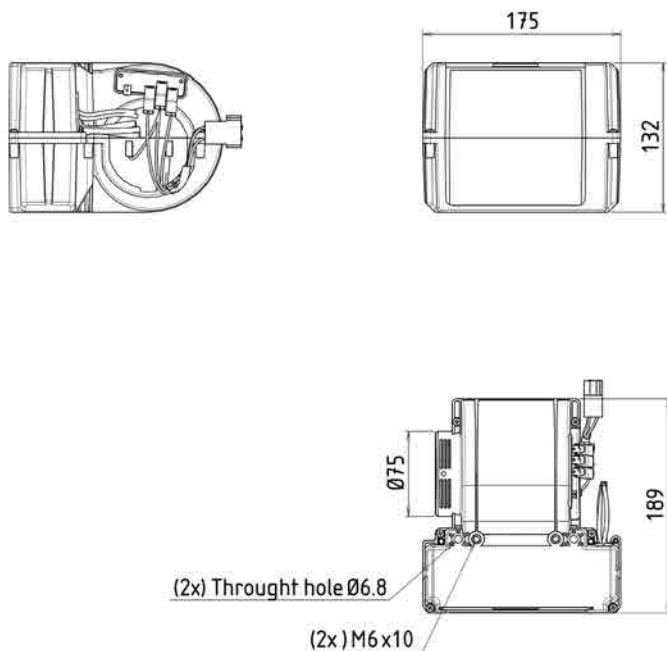
ELECTRIC HEATERS - KALORI

ALIZE 2 ELEC

ELECTRIC HEATER

- It is the smallest heater fitted with an electrical heating element
- Electric heater with secured PTC element
- It is equipped with a safety thermal switch
- Other power levels available on request
- It is possible to duct the fan side to draw in fresh air from outside, for example.

Available in a water heater version



Recommendation: Heater must be protected against humidity and dust - fit an air filter upstream of the inlet fan.

Airflow	2100 m ³ /h
Ventilation speed	3

Heating element voltage	Ventilation	Reference	Electrical consumption	Electrical power
Alize 2 E Elec				
48 V	12 V	83.0012.03.6001	33 A	1600 W
80 V		83.0012.03.6003	28 A	
96 V		83.0012.03.6005	23 A	
120 V	24 V	83.0012.03.6007	18 A	2200 W
96 V		83.0012.03.6105	23 A	
120 V		83.0012.03.6107	18 A	
Alize 2 E Elec				
48 V	12 V	83.0012.03.6008	33 A	1600 W
80 V		83.0012.03.6108	28 A	2200 W

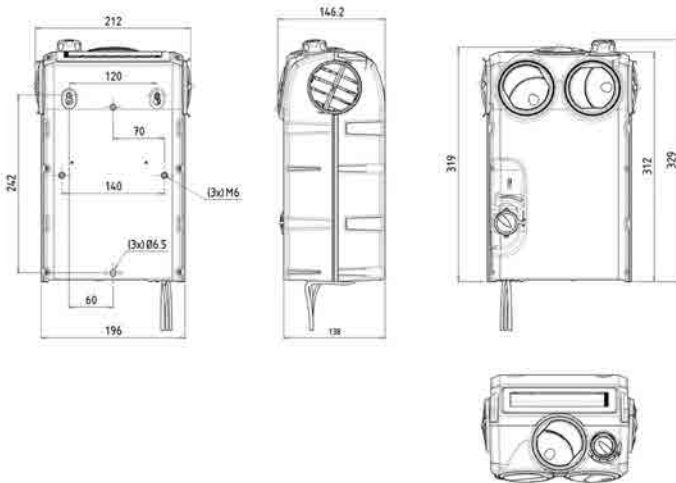
- 1
- 1
- 2
- 3
- 4
- 5

ELECTRIC HEATERS - KALORI

ALIZE 2 VI ELEC

ELECTRIC HEATER

- Heater for forklift truck or electrically-powered handling machine
- Electric heater with secured PTC heating element
- Equipped with a safety thermal switch
- Other power levels available on request
- 2 heating power levels, controlled by an integrated relay
- Serial micronAir filter
- Available in a water heater version



Airflow	210 m ³ /h
Ventilation speed	3

Recommendation: Heater must be protected against humidity and dust - fit an air filter upstream of the inlet fan.

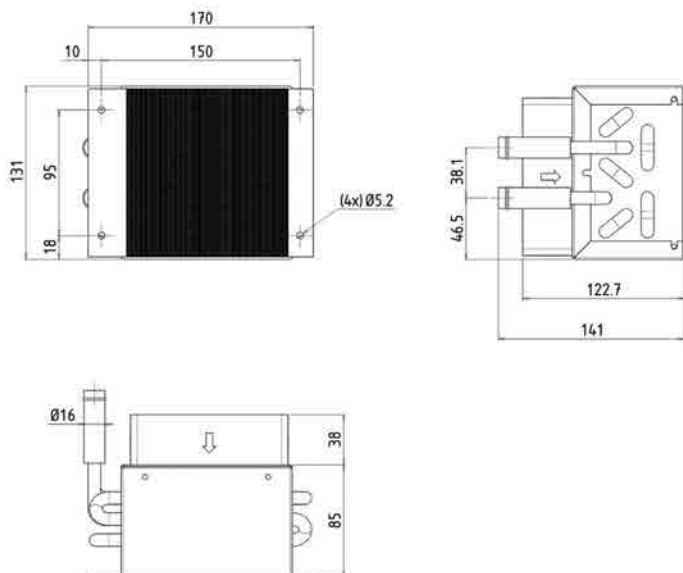
Heating element voltage	Ventilation	Reference	Electrical consumption	Electrical power
48 V	12 V	83.0012.03.6000	33 A	1600 W
80 V		83.0012.03.6002	28 A	
96 V		83.0012.03.6004	23 A	
120 V	24 V	83.0012.03.6006	18 A	2200 W
80 V		83.0012.03.6102	28 A	
96 V		83.0012.03.6104	23 A	
120 V		83.0012.03.6106	18 A	

WATER HEATER - KALORI

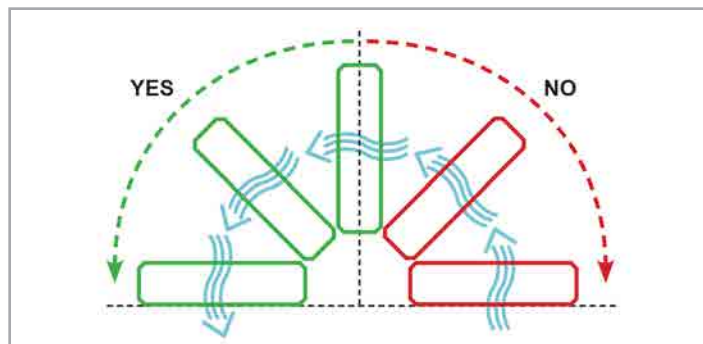
SILENCIO 1

WATER HEATER

- Water heat-exchanger for caravan, motorhome or boat
- Installed in a bulkhead, can be connected to the engine cooling circuit or to an autonomous gas or diesel-powered heater
- Equipped with a noiseless, low power consumption, fan.



Installation instructions:



The heating unit must not be installed with the airflow directed upwards.

Calorific power	1500 Kcal/h
Heating power	1.7 kW
Airflow	110 m ³ /h
Electrical consumption	7 W
Noise level	48 dB
Weight	1 kg
Water fitting	Ø 16 mm
Ventilation speed	2

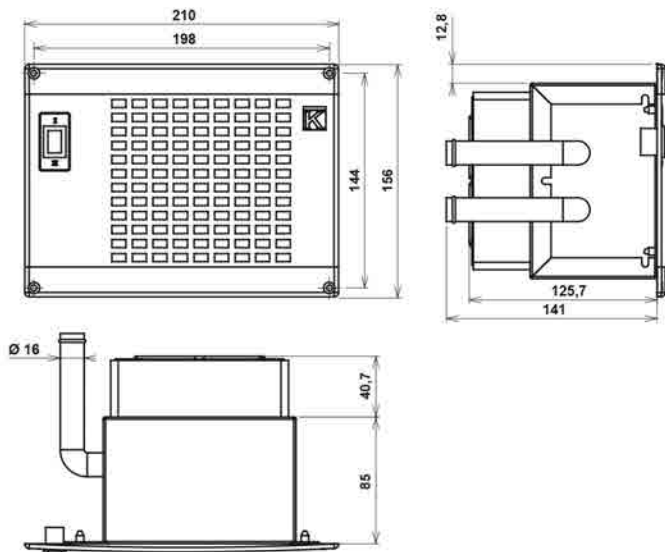
Voltage	Reference
12 V	83.0012.01.4057
24 V	83.0012.01.4157

WATER HEATER - KALORI

SILENCIO FAI

WATER HEATER

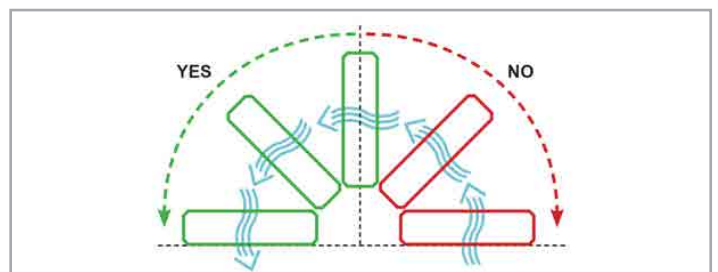
- Water heat-exchanger for caravan, motorhome or boat
- Installed in a bulkhead, can be connected to the engine cooling circuit or to an autonomous gas or diesel-powered heater
- Noiseless, low power consumption fan.
- It is available without fan control knob (Silencio FA version)



Calorific power	1500 Kcal/h
Heating power	1.7 kW
Airflow	110 m ³ /h
Electrical consumption	7 W
Noise level	48 dB
Weight	1 kg
Water fitting	Ø 16 mm
Ventilation speed	2

Voltage	Reference	Colour
12 V	83.0012.01.4081	Black
24 V	83.0012.01.4181	
12 V	83.0012.01.4082	Grey
24 V	83.0012.01.4182	

Installation instructions:



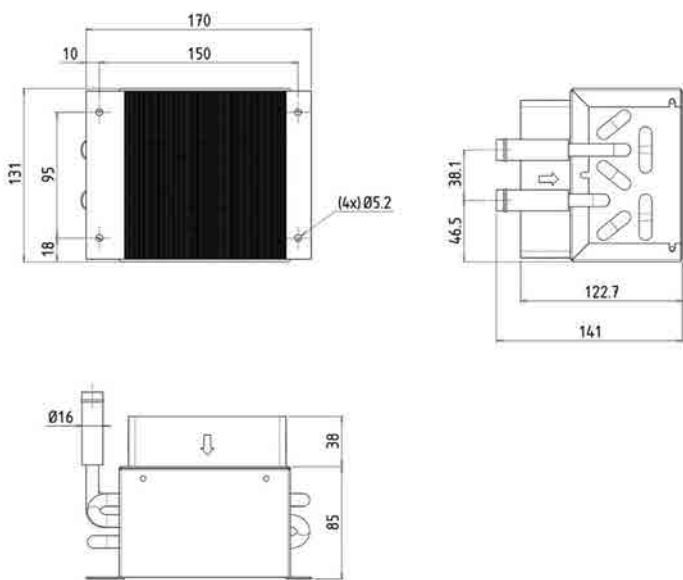
The heating unit must not be installed with the airflow directed upwards.

WATER HEATER - KALORI

SILENCIO 2

WATER HEATER

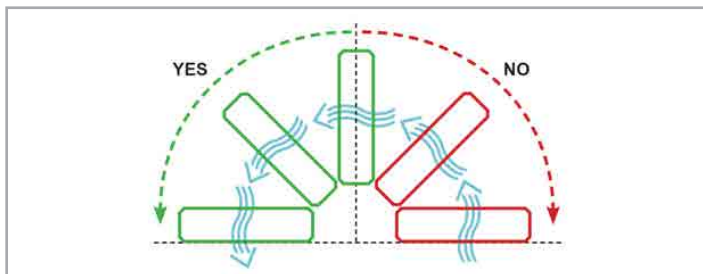
- Water heat-exchanger for caravan, motorhome or boat, minibus or ambulance
- Installed in a wall, can be connected to the engine cooling circuit or to an autonomous gas or diesel-powered heater
- Equipped with a noiseless, low power consumption fan



Heating power	5.5 kW
Airflow	250 m³/h
Electrical consumption	16 W
Noise level	48 dB
Weight	2 kg
Water fitting	Ø 16 mm
Ventilation speed	2

Voltage	Reference	Colour
12 V	83.0012.01.4030	Black
24 V	83.0012.01.4130	

Installation instructions:



The heating unit must not be installed with the airflow directed upwards.

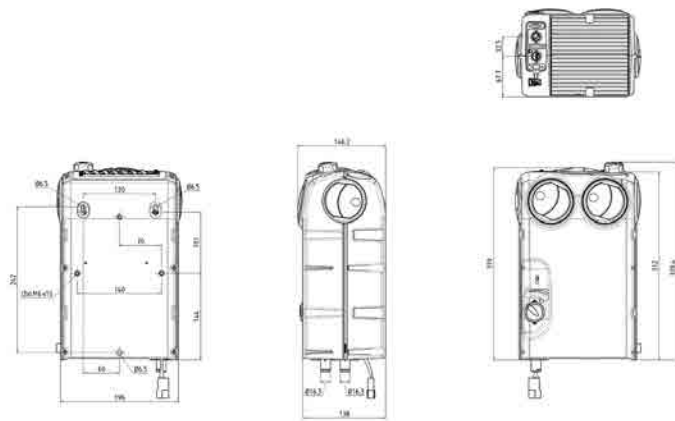
- 1
- 1
- 2
- 3
- 4
- 5

WATER HEATER - KALORI

ALIZE 2 VI

WATER HEATER

- Water heat-exchanger for forklift truck or small cabin to be connected to the engine cooling circuit and to a power supply
- Water valve and ventilation switch included
- Integrated replaceable air filter
- Also available in an electric version for electric-powered vehicles



Heating power	3.4 kW
Airflow	220 m ³ /h
Electrical power	70 W
Weight	3 kg
Water fitting	Ø 16 mm
Ventilation speed	3

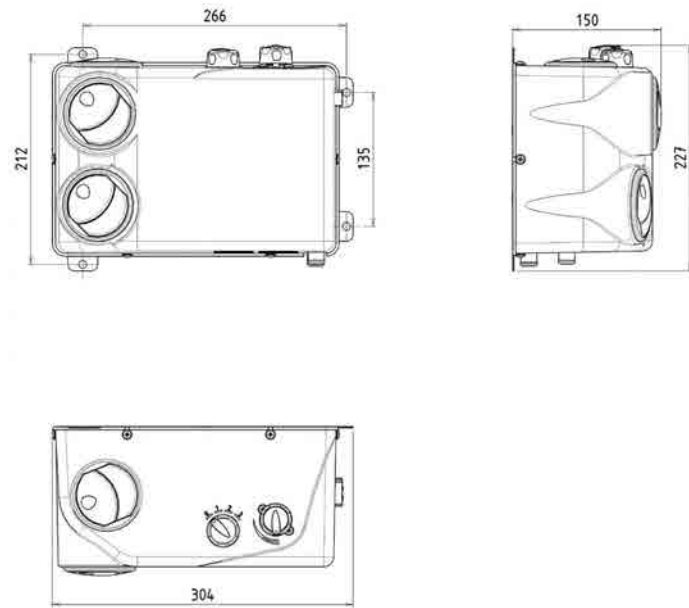
Voltage	Reference
12 V	83.0012.01.4301
24 V	83.0012.01.4401

WATER HEATER - KALORI

ALIZE 2 VI HORIZONTAL

WATER HEATER

- Water heat-exchanger for mini excavator
- To be connected to the engine cooling circuit and to a power supply
- Water valve and ventilation switch included



Heating power	3.8 kW
Airflow	212 m ³ /h
Electrical power	40 W
Weight	3 kg
Water fitting	Ø 16 mm
Ventilation speed	3

Voltage	Reference
12 V	83.0012.01.4304
24 V	83.0012.01.4404

1

1

2

3

4

5

WATER HEATER - KALORI

COMPACT EV01

WATER HEATER

Water heat-exchanger equipped with a noiseless blower. Ideal for mini-cars (without driving license), small handling or construction equipment. A connector is fitted for installation of an outside air suction duct on to a fan inlet. For an automotive installation, use the EV01 ED4 Compact version with 4 air ducts and air vents.

The diffuser outlets can easily be installed without tools, using the two lateral slides on the heater, with a clip holding them securely in place. Also available in an electric version for electrically-driven vehicles



ED4



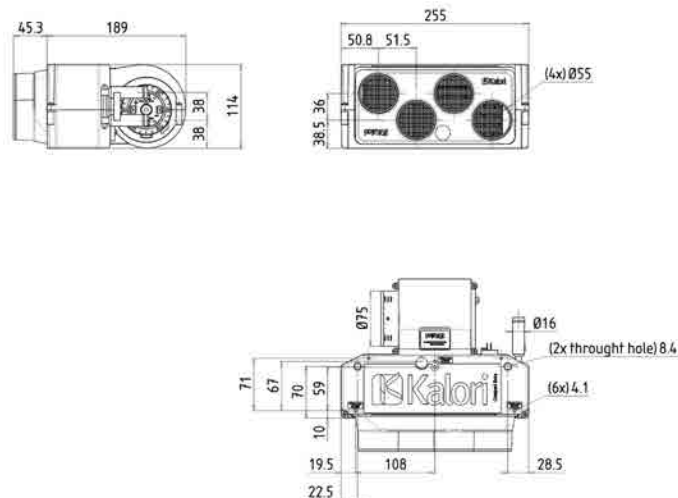
G



KC



Ø 100 mm



Heating power	4.3 kW
Airflow	230 m³/h
Electrical consumption	70 W
Noise level	63 dB
Weight	2.2 kg
Water fitting	Ø 16 mm
Ventilation speed	3

Voltage	Reference
Compact EV01 ED4 Ø55	
12 V	83.0012.03.2001
24 V	83.0012.03.2101
Compact EV01 G	
12 V	83.0012.03.2002
24 V	83.0012.03.2102
Compact EV01 KC	
12 V	83.0012.03.2013
24 V	83.0012.03.2113
Compact EV01 Ø100	
12 V	83.0012.03.2015
24 V	83.0012.03.2115

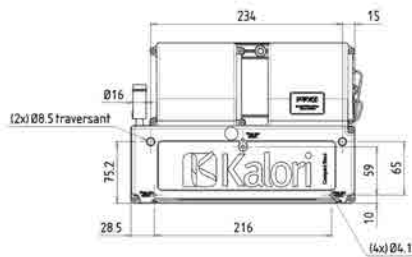
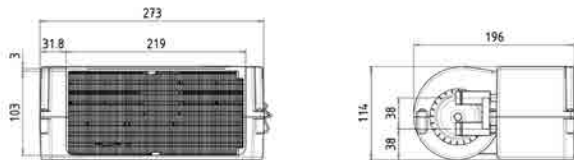
- 1
- 1
- 2
- 3
- 4
- 5

WATER HEATER - KALORI

MINIKELEC

ELECTRIC HEATER

- Water heat-exchanger
- Identical to Compact EVO1 heater but more power, with its 3-speed double ventilator, it can be installed in place of a Compact EVO1 when the latter lacks power
- It is ideal for mini-cars (without driving license), small handling or construction equipment
- It is equipped with two noiseless fans
- It is also available in an electric version for electrically-powered vehicles



Heating power	5.2 kW
Airflow	350 m ³ /h
Electrical consumption	1000 W
Noise level	65 dB
Weight	2.5 kg
Water fitting	Ø 16 mm
Ventilation speed	3

Voltage	Reference
12 V	83.0012.02.7001
24 V	83.0012.02.7101

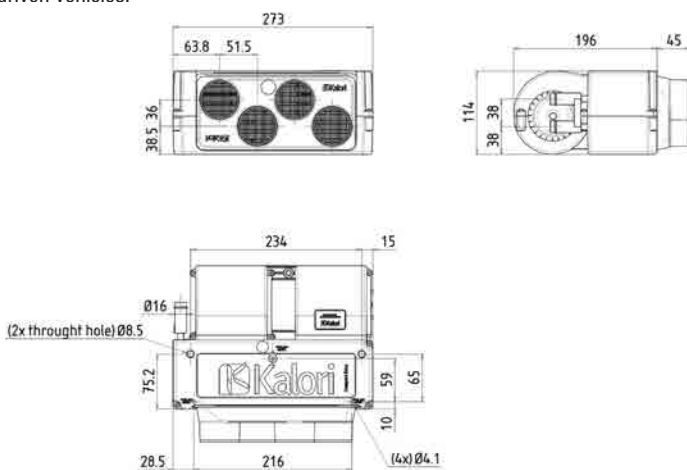
WATER HEATER - KALORI

COMPACT EV02

WATER HEATER

Water heat-exchanger. Identical to Compact EV01 heater but with more power, with its 3-speed noiseless double ventilator, it can be installed in place of a Compact EV01 when the latter lacks power. Ideal for mini-cars (without driving license), small handling or construction equipment. For an automotive installation, use the EV01 ED4.

Compact version with 4 air ducts and air vents. The diffuser outlets can easily be installed without tools, using the two lateral slides on the heater, with a clip holding them securely in place. Available in an electric version for electrically-driven vehicles.



Heating power	5.2 kW
Airflow	350 m ³ /h
Electrical consumption	100 W
Noise level	65 dB
Weight	2.5 kg
Water fitting	Ø 16 mm
Ventilation speed	3

Voltage	Reference
Compact EV02 ED4 (Ø55 mm)	
12 V	83.0012.02.7002
24 V	83.0012.02.7102
Compact EV02 G	
12 V	83.0012.02.7006
24 V	83.0012.02.7106
Compact EV02 KC	
12 V	83.0012.02.7013
24 V	83.0012.02.7113
Compact EV02 (Ø100 mm)	
12 V	83.0012.02.7015
24 V	83.0012.02.7115



ED4



G



KC



Ø 100 mm

- 1
- 1
- 2
- 3
- 4
- 5

WATER HEATER - KALORI

ED2/ED3 AIR DIFFUSER

HEATING ACCESSORIES

- Diffuser outlets suitable for Kelec Evo1 and Evo2, Compact Evo1 and Evo2 heaters
- They can be easily installed without tools, using the two lateral slides on the heater, with a clip holding them securely in place
- Possibility of using several \emptyset couplings for various \emptyset of duct on the ED2 diffuser outlets
- These fittings do not require collars to hold the duct in place

\emptyset screw-fit connector	Reference	Version
60 mm	83.0034.00.7981	ED3 front
-	83.0034.00.7980	Face ED2 front without connector
60 mm	83.0034.00.8357	Chose your connectors to screw on to the ED2 air diffuser
65 mm	83.0034.00.8358	
70 mm	83.0034.00.8359	
75 mm	83.0034.00.8360	
-	83.0034.00.7982	ED3 front without connector
40 mm	83.0034.00.8340	Chose your connectors to screw on to the ED3 air diffuser
45 mm	83.0034.00.8345	
50 mm	83.0034.00.8350	
55 mm	83.0034.00.8355	
55 mm / 90°	83.0034.00.8356	

Screw	
3,5 x 12 screw	83.0034.00.5087



WATER HEATER - KALORI

AIR DEFFUSER

HEATING ACCESSORIES

- Diffuser outlets suitable for Kelec Evo1 and Evo2, Compact Evo1 and Evo2 heaters
- They can be easily installed without tools using the two lateral slides on the heater, with a clip holding them securely in place

Reference	Version
83.0034.00.7432	G
83.0034.00.3412	KC
83.0034.00.7392	ED4 (Ø 55 mm)
83.0034.00.7979	Ø 100 mm
83.0034.00.7095	ED4 (Ø 55 mm) with flaps



1

1

2

3

4

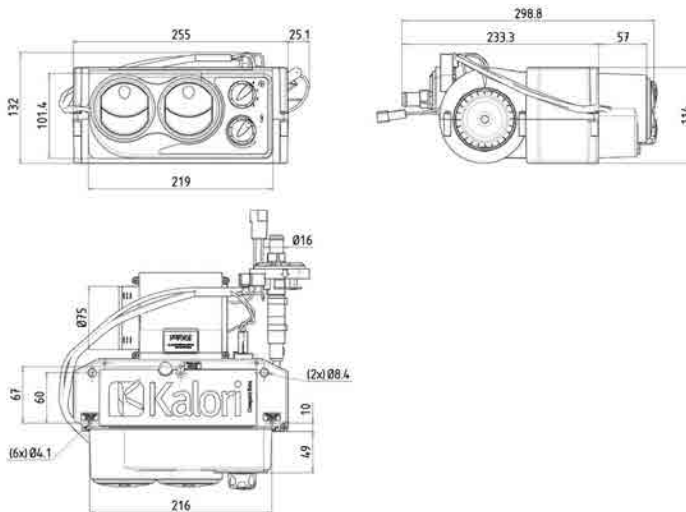
5

WATER HEATER - KALORI

COMPACT EVO1 FAI

WATER HEATER

- Water heat-exchanger
- Complete heater ideal for ATV, buggy or vehicles with small cab
- Ventilation switch and temperature set by a control, situated on the front of the heater
- Noiseless heater
- A connector is available for the installation of an outside air suction duct onto a fan inlet



Heating power	4.3 kW
Airflow	230 m³/h
Electrical power	70 W
Weight	2.5 kg
Water fitting	Ø 16 mm
Ventilation speed	3

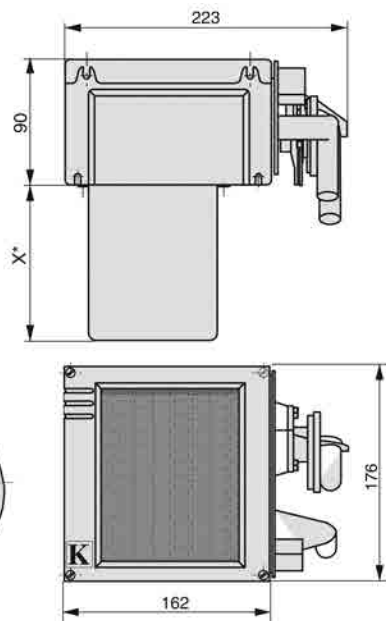
Voltage	Reference
12 V	83.0012.03.2003
24 V	83.0012.03.2103

WATER HEATER - KALORI

AK S

WATER HEATER

- Water heat exchanger for cab, vehicle, or micro-car (without driving license)
- Integrated valve for easy installation with cable control



Water fitting	Ø 16 mm
Noise level	65 dB
Ventilation speed	3

Voltage	Reference	Calorific power	Heating power	Airflow	Electrical consumption	Weight	X
AK 260 S							
12 V	83.0012.01.8001	3650 Kcal/h	4.25 kW	195 m³/h	50 W	1.3 kg	112 mm
24 V	83.0012.01.8101						
AK 350 S							
12 V	83.0012.01.8300	4200 Kcal/h	4.9 kW	270 m³/h	110 W	1.5 kg	133 mm
24 V	83.0012.01.8301						
AK 5300 S							
12 V	83.0012.01.8005	5200 Kcal/h	6 kW	350 m³/h	205 W	2 kg	145 mm
24 V	83.0012.01.8105						

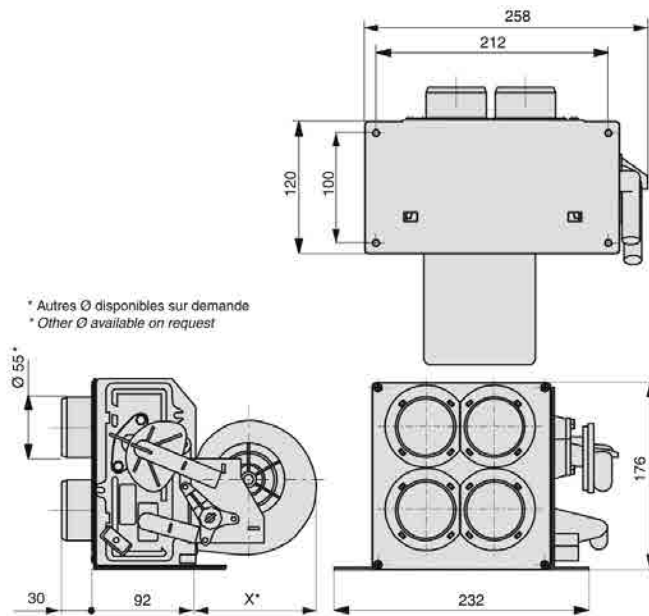
1
1
2
3
4
5

WATER HEATER - KALORI

AK ED4

WATER HEATER

- Water heat exchanger for cab, vehicle or micro-car (without driving license)
- Integrated valve for easy installation with a cable control (see accessories range)
- Highly efficient, automotive and economic installation with 3 closable air vents (KB Ø55mm) and 1 defrosting grille



Water fitting	Ø 16 mm
Noise level	65 dB
Ventilation speed	3

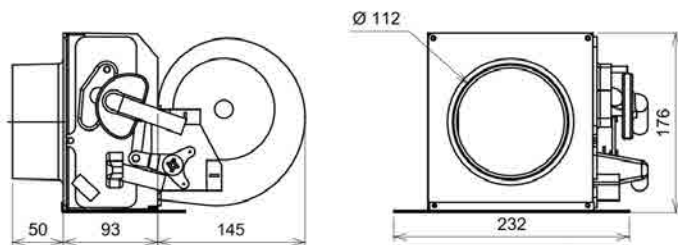
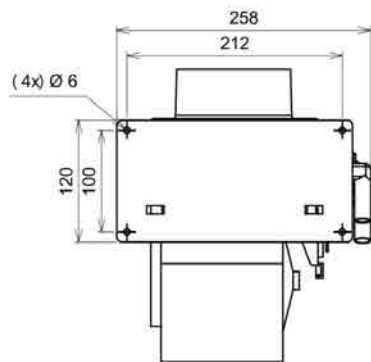
Voltage	Reference	Calorific power	Heating power	Airflow	Electrical consumption	Weight	X
AK 260 ED4							
12 V	83.0012.01.8003	3650 Kcal/h	4.25 kW	195 m³/h	50 W	1.6 kg	112 mm
24 V	83.0012.01.8103						
AK 350 ED4							
12 V	83.0012.01.8302	4200 Kcal/h	4.9 kW	270 m³/h	110 W	1.8 kg	133 mm
24 V	83.0012.01.8303						
AK 5300 ED4							
12 V	83.0012.01.8007	5200 Kcal/h	6 kW	350 m³/h	205 W	2.3 kg	145 mm
24 V	83.0012.01.8107						

WATER HEATER - KALORI

AK Ø112

WATER HEATER

- Water heat exchanger with a Ø112mm duct outlet
- Integrated valve for a quick connection for cable control



Heating power	6 kW
Airflow	350 m ³ /h
Electrical consumption	205 W
Water fitting	Ø 16 mm
Noise level	65 dB
Ventilation speed	3

Voltage	Reference
12 V	83.0012.01.8016
24 V	83.0012.01.8116

1

1

2

3

4

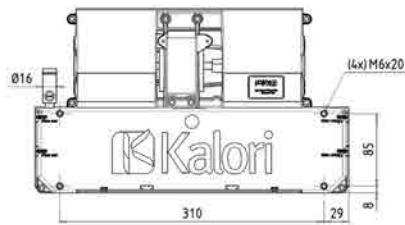
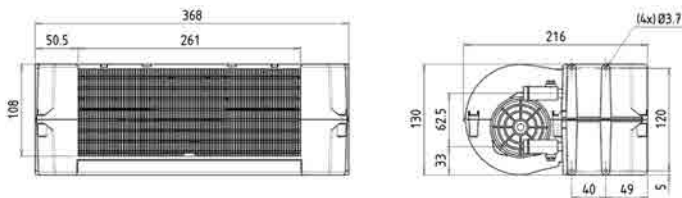
5

WATER HEATER - KALORI

SUPER K E

WATER HEATER

- Water heat exchanger
- It is also available as an air conditioning evaporator or combi (evaporator + heater)



Heating power	7.6 kW
Airflow	500 m ³ /h
Electrical consumption	100 W
Noise level	69 dB
Water fitting	Ø 16 mm
Ventilation speed	3

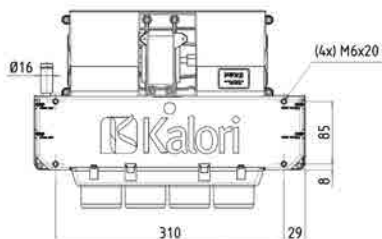
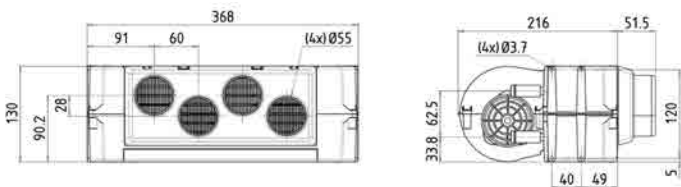
Voltage	Reference
12 V	83.0012.02.6006
24 V	83.0012.02.6102

WATER HEATER - KALORI

SUPER K

WATER HEATER

- Water heat-exchanger
- This heater is ideal for a small / medium cabin, it is also available as an air conditioning (evaporator) or combi (evaporator + heater) version
- Fitted with slides on the front for the fitting of air diffusers



ED4



KC



G

Heating power	7.6 kW
Airflow	500 m³/h
Electrical consumption	100 W
Noise level	69 dB
Water fitting	Ø 16 mm
Ventilation speed	3

Voltage	Reference
Super K G	
12 V	83.0012.02.6000
24 V	83.0012.02.6100
Super K ED4 (Ø55 mm)	
12 V	83.0012.02.6001
24 V	83.0012.02.6101
Super K KC	
12 V	83.0012.02.6008
24 V	83.0012.02.6108

- 1
- 1
- 2
- 3
- 4
- 5

WATER HEATER - KALORI

AIR DEFFUSER

HEATING ACCESSORIES

- Diffuser outlets suitable for Kelec Evo1 and Evo2, Compact Evo1 and Evo2 heaters
- They can be easily installed without tools using the two lateral slides on the heater, with a clip holding them securely in place

Reference	Version
83.0034.00.7348	G
83.0034.00.7778	KC
83.0034.00.7527	ED4 (Ø 55 mm)

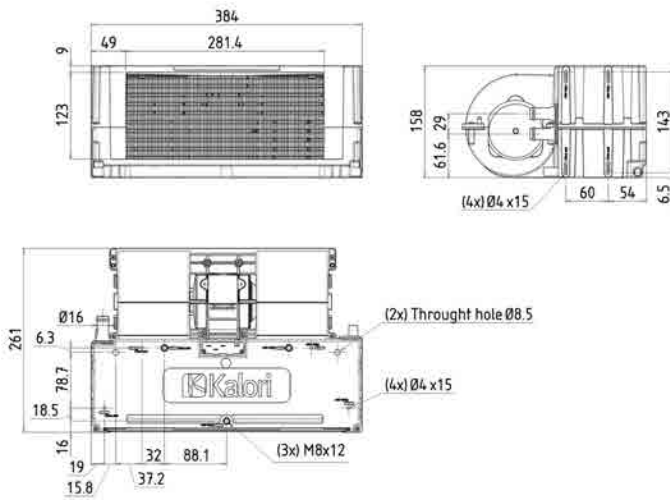


WATER HEATER - KALORI

KOOL E

WATER HEATER

- Water heat – exchanger
- Very efficient for a medium cab
- It is also available as an air conditioning (evaporator) or combi (evaporator + heater) version



Heating power	10 kW
Airflow	520 m³/h
Electrical consumption	180 W
Water fitting	Ø 16 mm
Ventilation speed	3

Voltage	Reference
12 V	83.0012.01.2200
24 V	83.0012.01.2300

1

1

2

3

4

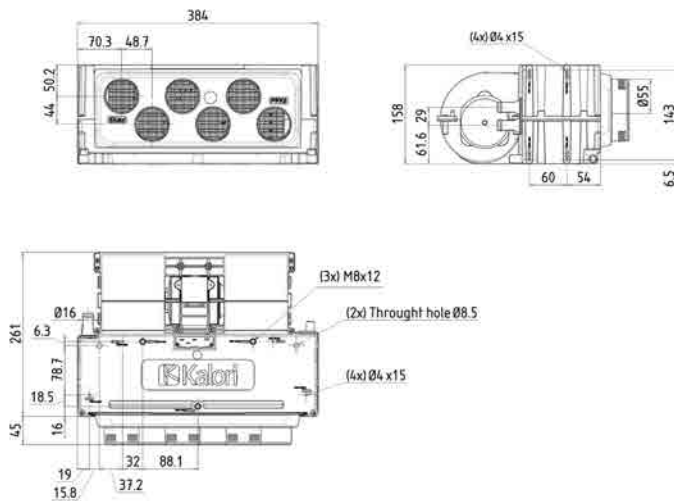
5

WATER HEATER - KALORI

KOOL

WATER HEATER

- Water heat-exchanger
- This heater is ideal for a medium cabin, it is also available as an air conditioning (evaporator) or combi (evaporator + heater) version
- Fitted with slides on the front panel for the installation of air diffusers



ED6



KC

Heating power	10 kW
Airflow	520 m ³ /h
Electrical consumption	180 W
Water fitting	Ø 16 mm
Ventilation speed	3

Voltage	Reference
Kool ED6 (Ø55 mm)	
12 V	83.0012.01.2201
24 V	83.0012.01.2301
Kool KC	
12 V	83.0012.01.2203
24 V	83.0012.01.2303

WATER HEATER - KALORI

AIR DIFFUSER FOR KOOL

HEATING ACCESSORIES

- Front-mounted air diffuser for Kool HVAC

Reference	Version
83.0034.00.7075	ED6 (Ø55mm)
83.0034.01.7148	KC



1

1

2

3

4

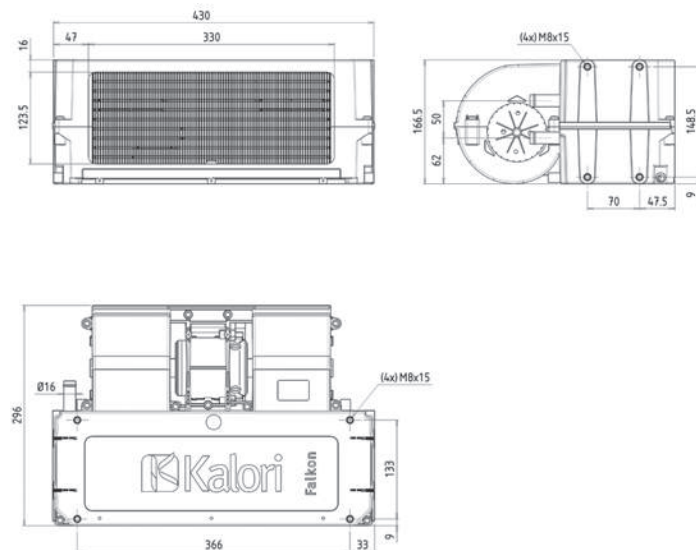
5

WATER HEATER - KALORI

FALKON

WATER HEATER

- Water heat-exchanger
- Equipped with a radial fan with a high airflow, highly resistant to pressure losses, for an optimum air diffusion even with important duct lengths
- This heater is ideal for a medium / large cabin; also available as an air conditioning (evaporator) or combi (evaporator + heater) version, and in an electric version



Heating power	14.8 kW
Airflow	725 m ³ /h
Electrical consumption	360 W
Weight	7.7 kg
Water fitting	Ø 16 mm
Ventilation speed	3

Voltage	Reference
Falkon E	
12 V	83.0012.02.9000
24 V	83.0012.02.9100
Falkon ED6 (Ø55 mm)	
12 V	83.0012.02.9001
24 V	83.0012.02.9101
Falkon KC	
12 V	83.0012.02.9007
24 V	83.0012.02.9107

- 1
- 1
- 2
- 3
- 4
- 5

WATER HEATER - KALORI

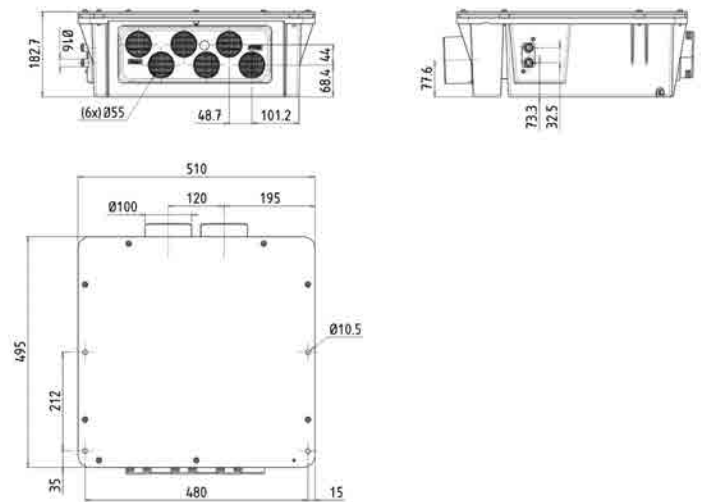
FALKON BOX MARITIME

WATER HEATER

- Water heater for boat
- If installed in the engine compartment, 2 air inlets are used to channel the sucked air from a healthy area

Heating power	14.8 kW
Airflow	725 m ³ /h
Electrical consumption	360 W
Weight	7.2 kg
Water fitting	Ø 16 mm
Ventilation speed	3

Voltage	Reference
12 V	83.0012.03.1001
24 V	83.0012.03.1001



1

1

2

3

4

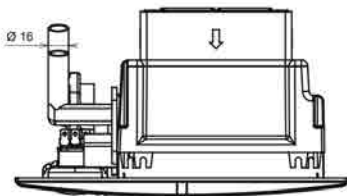
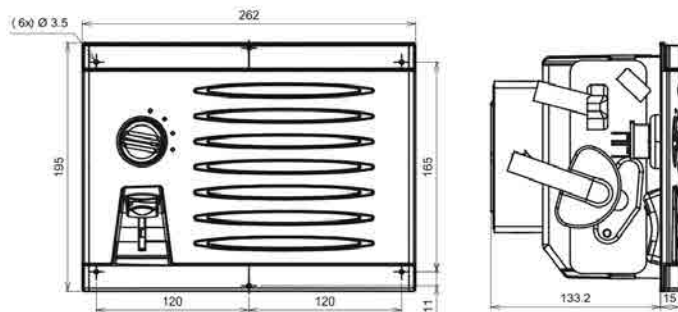
5

WATER HEATER - KALORI

KUBA VA200

WATER HEATER

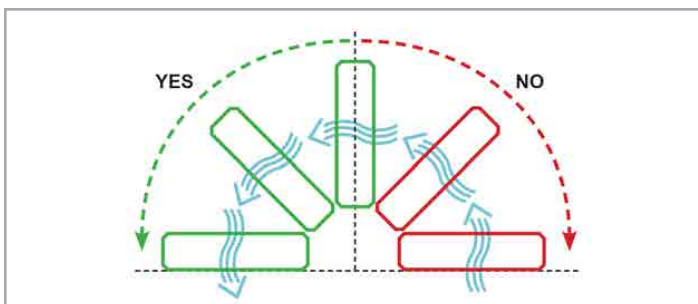
- Water heat exchanger ideal for motorhome, boat or van
- Brushless motor with very low power consumption
Temperature and fan speed controls are integrated into the front of the heater
- The water valve is also included



Calorific power	2800 Kcal/h
Heating power	3.25 kW
Airflow	150 m³/h
Electrical consumption	7 W
Noise level	48 dB
Weight	1.3 kg
Water fitting	Ø 16 mm
Ventilation speed	2

Voltage	Reference	
12 V	83.0012.01.8085	Black
24 V	83.0012.01.8185	

Installation instructions:



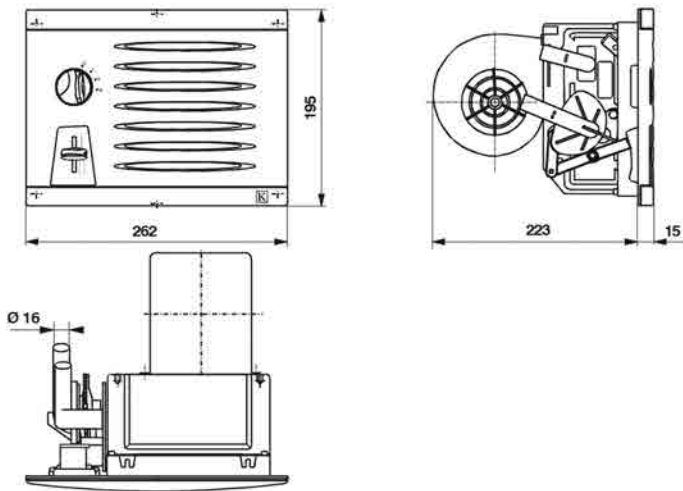
The heating unit must not be installed with the airflow directed upwards.

WATER HEATER - KALORI

KUBA 350

WATER HEATER

- Water heat exchanger ideal for motorhome, boat or van
- Temperature and fan speed controls are integrated into the front of the heater
- The water valve is also included



Calorific power	4200 Kcal/h
Heating power	4.9 kW
Airflow	270 m ³ /h
Electrical consumption	110 W
Noise level	65 dB
Weight	1.7 kg
Water fitting	Ø 16 mm
Ventilation speed	3

Voltage	Reference	Color
12 V	83.0012.01.8050	Black
24 V	83.0012.01.8150	
12 V	83.0012.01.8051	Grey
24 V	83.0012.01.8151	

1

1

2

3

4

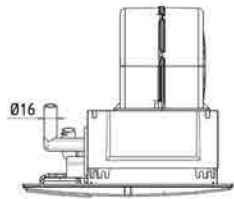
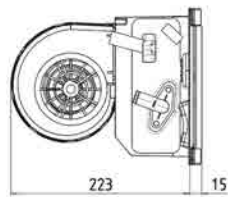
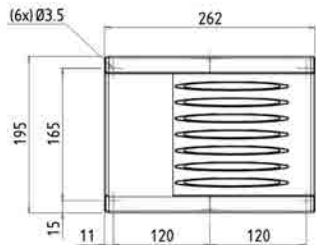
5

WATER HEATER - KALORI

KUBA FA 350

WATER HEATER

- Water heat exchanger ideal for motorhome, boat or van



Calorific power	4400 Kcal/h
Heating power	5.2 kW
Airflow	270 m³/h
Electrical consumption	110 W
Noise level	65 dB
Weight	1.7 kg
Water fitting	Ø 16 mm
Ventilation speed	3

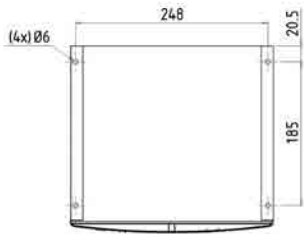
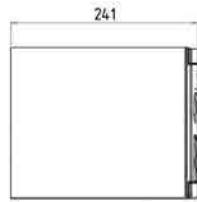
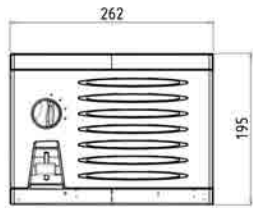
Voltage	Reference	Color
12 V	83.0012.01.8053	Black
24 V	83.0012.01.8153	
12 V	83.0012.01.8054	Grey
24 V	83.0012.01.8154	

WATER HEATER - KALORI

KUBA KUB

WATER HEATER

- Water heat exchanger ideal for van
- This heater is integrated in a metal casing, which is fixed on the ground or under a seat
- Temperature and fan speed controls are integrated into the front of the heater
- The water valve is also included



Calorific power	3650 Kcal/h
Heating power	4.25 kW
Airflow	195 m ³ /h
Electrical consumption	50 W
Noise level	65 dB
Weight	3.6 kg
Water fitting	Ø 16 mm
Ventilation speed	3

Voltage	Reference	
12 V	83.0012.01.8060	Black
24 V	83.0012.01.8160	

1

1

2

3

4

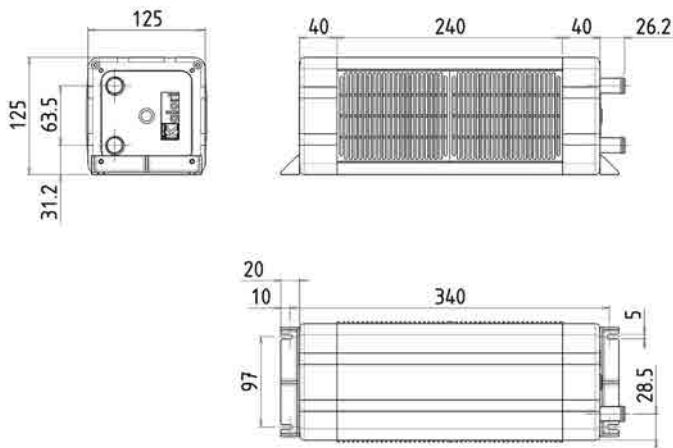
5

WATER HEATER - KALORI

KOSTO 2

ELECTRIC HEATER

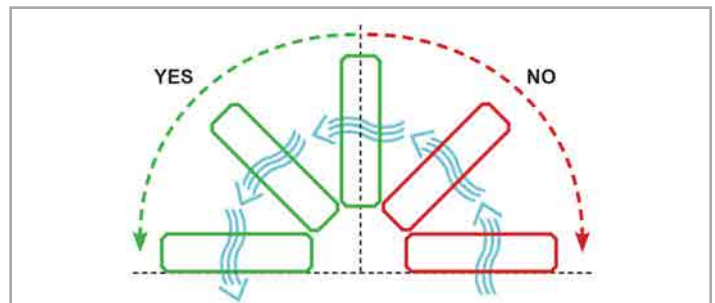
- Water heat-exchanger for minibus, coach or bus, highly resistant casing in aluminum and polycarbonate profile
- It is equipped with two brushless motors



Calorific power	3300 Kcal/h
Heating power	3.8 kW
Airflow	220 m ³ /h
Electrical consumption	20 W
Noise level	54 dB
Water fitting	Ø 16 mm
Ventilation speed	2

Voltage	Reference
12 V	83.0012.02.3001
24 V	83.0012.02.3101

Installation instructions:



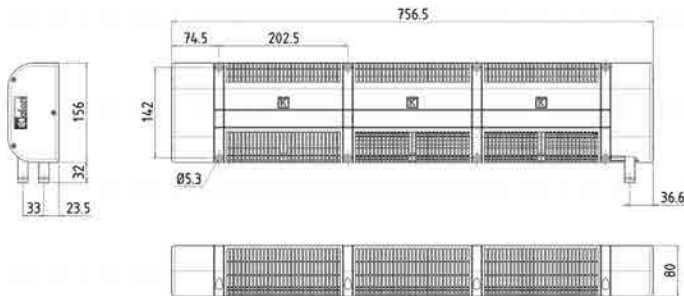
The heating unit must not be installed with the airflow directed upwards.

WATER HEATER - KALORI

BAIKAL 3

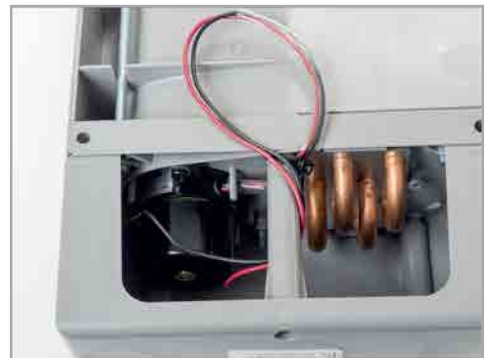
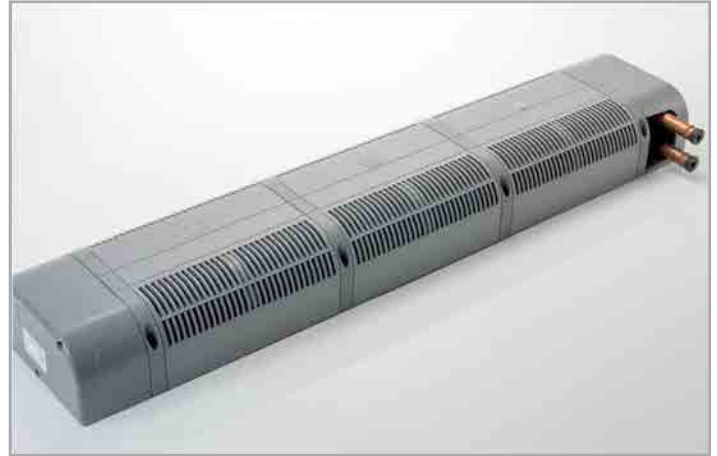
WATER HEATER

- Baikal is a ventilated convector
- It replaces 5m of unvented convector, or completes the installation where sections are too short to provide sufficient comfort
- The polycarbonate body is resistant to shocks and the brushless motor provides an important period of use



Calorific power	3440 Kcal/h
Heating power	4 kW
Airflow	220 m ³ /h
Electrical consumption	15 W
Noise level	55 dB
Weight	2.3 kg
Water fitting	Ø 16 mm
Ventilation speed	1

Voltage	Reference
12 V	83.0012.02.4023
24 V	83.0012.02.4123



1

1

2

3

4

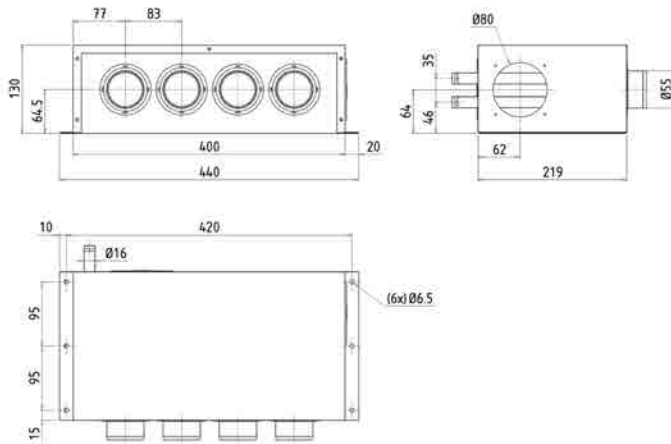
5

WATER HEATER - KALORI

KINOX

WATER HEATER

- Water heater for boat, if installed in the engine compartment, 2 air inlets are used to channel the sucked air from a healthy area
- Stainless steel casing
- 4 x Ø55mm connectors for air outlets
- Supplied with 2 x Ø80mm connectors and 2 x 95x95 covers to cover unused holes



Calorific power	8600 Kcal/h
Heating power	10 kW
Airflow	520 m³/h
Electrical consumption	180 W
Noise level	69 dB
Weight	5.2 kg
Water fitting	Ø 16 mm
Ventilation speed	3

Voltage	Reference
12 V	83.0012.01.6010
24 V	83.0012.01.6110

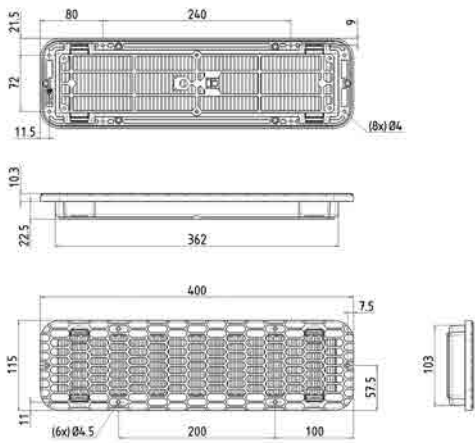
ACCESSORIES - KALORI

RECYCLING GRILLE

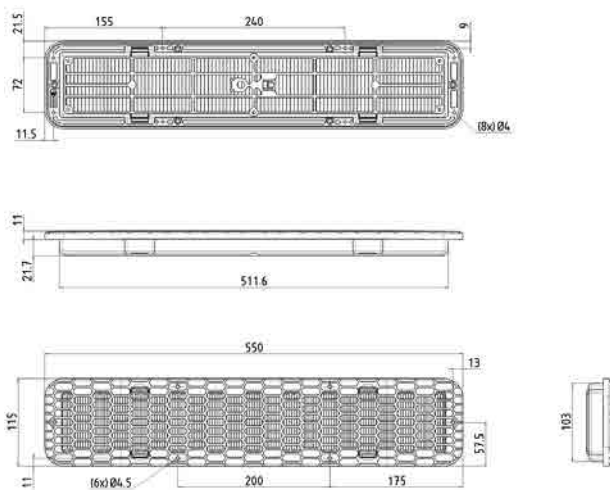
AIR DIFFUSION

- Recycling grille, equipped with filter holder and pleated paper filter. The filter can easily be replaced without tools, by simply pressing the clips
- For air conditioning, install the largest possible grille
- Integrated temperature sensor mount (for PCK control panel)

Material	PP GF30 / ABS	
Dimension	Version	Reference
400 mm	Grille + Filter	83.0034.02.2055
	Filter only	83.0034.07.0269



Dimension	Version	Reference
400 mm	Grille + Filter	83.0034.02.2055
	Filter only	83.0034.07.0269



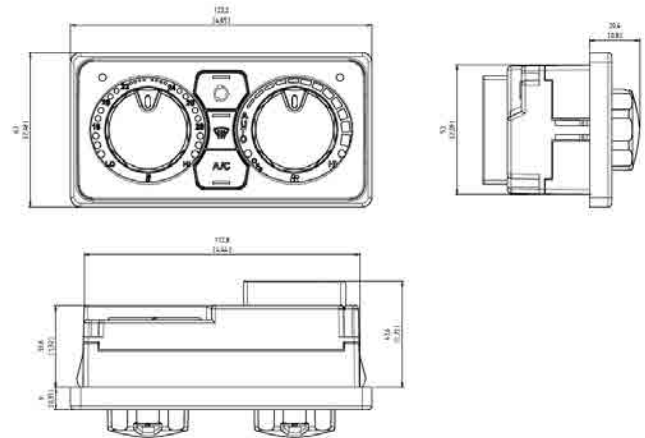
- 1
- 1
- 2
- 3
- 4
- 5

ACCESSORIES - KALORI

PCK 2 CONTROL PANEL

REMOTE CONTROL

- Electronic control panel for air conditioning and water (with proportional valve) or electric heating
- Automatic, manual and defroster mode
- Available with recycling knob
- Fan speed control from 0 to 100% with PWM box
- To fit in a wall
- Outside and inside temperature sensors included
- Available with 3 knobs to control adjustable air diffusion flaps



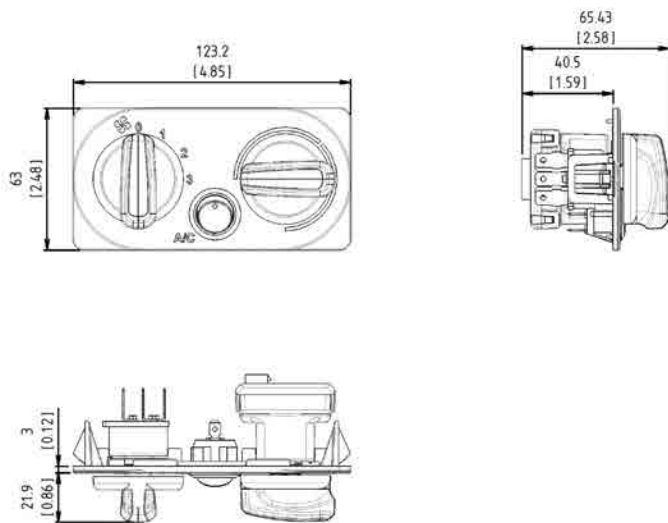
Reference	Voltage	Heating Model	Knobs	Option
83.0012.01.6010	12 / 24 V	Water	2	Recyclage
83.0012.01.6110	12 / 24 V	Water	2	AC + Recyclage

ACCESSORIES - KALORI

PCK 3 CONTROL PANEL

REMOTE CONTROL

- Control panel for air conditioning and/or water heater (proportional valve, pulse or cable + manual valve) or electric
- 3-speed fan switch or 0-100% with PWM box control



Reference	Heating Model	Option	Ventilation speed
83.0034.03.0473	Water - Proportional valve	-	3
83.0034.03.0451	Water - Proportional valve	A/C	3
83.0034.03.0452	Water - Proportional valve	Recyclage	3
83.0034.03.0453	Water - Proportional valve	A/C + Recyclage	3
83.0034.03.0458	PTC 3 Positions	A/C	3
83.0034.03.0459	PTC 3 Positions	A/C + Recyclage	3
83.0034.03.0466	PTC 3 Positions	Recyclage	3
83.0034.03.0471	câble	-	3
83.0034.03.0460	Water - Cable valve	A/C + Recyclage	3
83.0034.03.0461	Water - Cable valve	Recyclage	3
83.0034.03.0462	Water - Cable valve	A/C	3
83.0034.03.0463	Water - Proportional valve	A/C	0-100%
83.0034.03.0465	PTC 3 Positions	-	3
83.0034.06.0471	Water - Cable valve	-	3
83.0034.03.0474	A/C 2 Positions	-	3

1

1

2

3

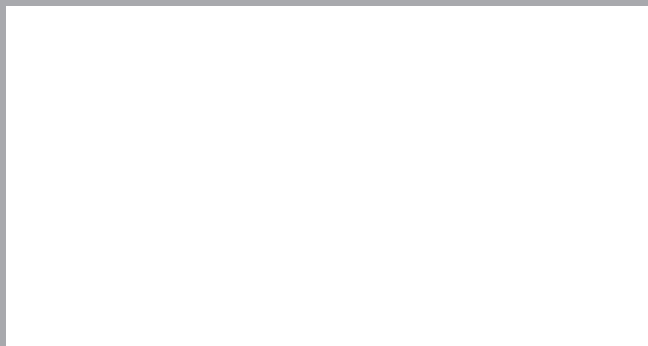
4

5

NOTES:

- 1
- 1
- 2
- 3
- 4
- 5





Eberspaecher Climate Control Systems

(800) 387-4800

(905) 670-0960

(905) 670-0728 Fax

info-na@eberspaecher-na.com

www.eberspaecher-na.com

